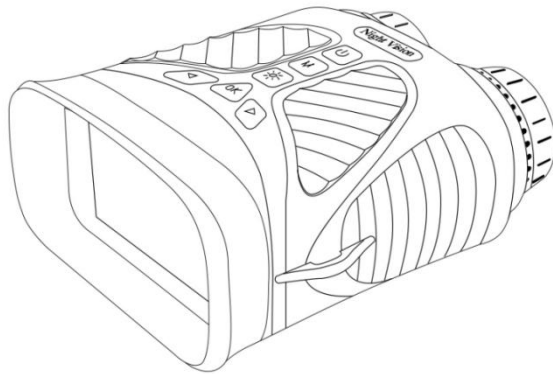


# NIGHT VISION BINOCULARS

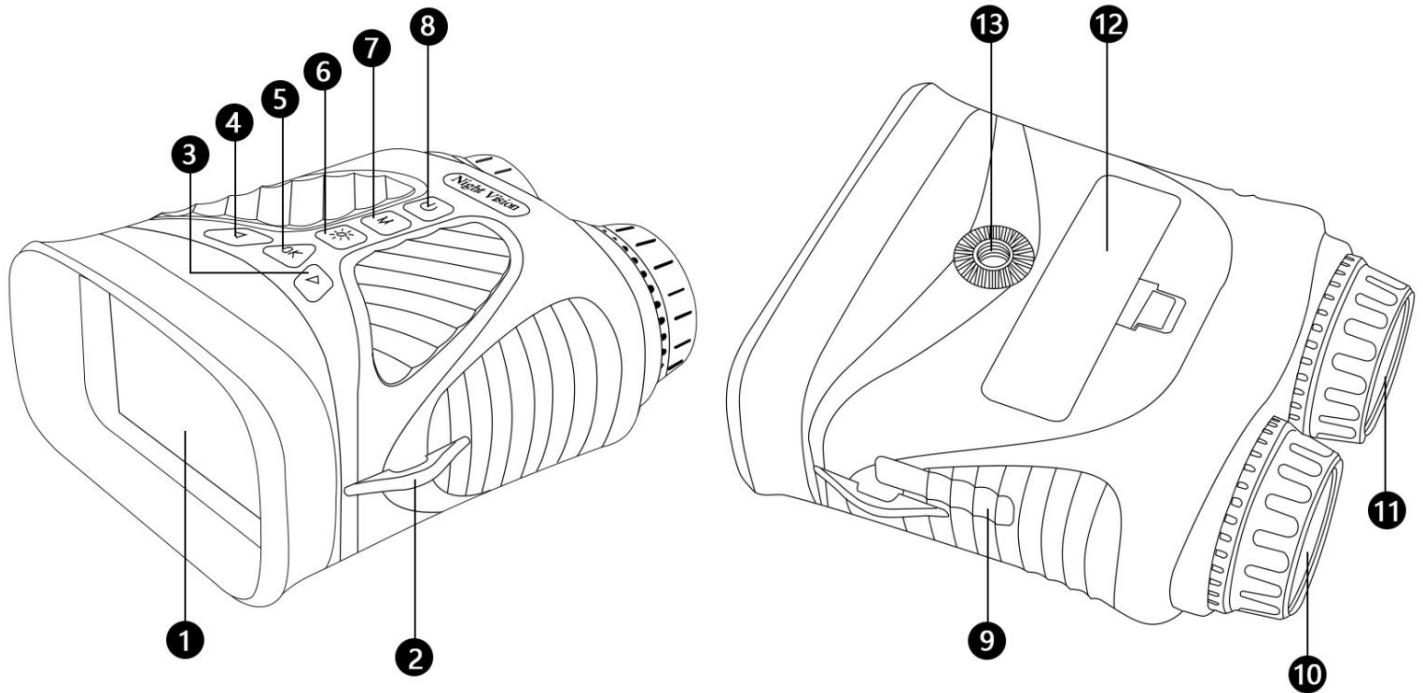
## User Manual



**Please read this instruction manual carefully before using the instrument.**

Thank you for purchasing the Night Vision Binoculars. This User Guide is intended to provide you with guidelines to ensure that operation of this product is safe and does not pose risk to the user. Any use that does not conform to the guidelines described in this User Guide may void the limited warranty. Please read all directions before using the product and retain this guide for reference. This product is intended for domestic use only. It is not intended for commercial use. This product is covered by a limited one-year warranty. Coverage is subject to limits and exclusions. See warranty for details.

## Parts overview



1. Display
2. Strap Hook
3. Right Button / Zoom -
4. Left Button / Zoom+
5. OK Button
6. IR Light button
7. Menu / Mode Button
8. Power ON/OFF
9. Type-C USB Port / Micro SD card Slot
10. Focus Ring
11. IR Light
12. Battery Cover
13. Tripod hole

## HOW TO USE NV BINOCULARS

### **BATTERY AND SD CARD INSTALLATION**

#### **Install Battery**

- Remove the Battery Compartment Cover cap. Insert battery

#### **Install Micro SD Card**


- Open the rubber cap covering the USB Port and Micro SD Slot, and insert a micro SD card (up to 128 GB, class 10 or greater for best results with video files) into the Micro SD Slot (metal contacts facing down, see card icon right of slot for correct orientation).
- If you will only use Night Vision Binocular for “live” viewing and do not wish to use it for photos/videos, the unit will function normally without a card.

**WARNING: NEVER LOOK AT THE SUN THROUGH THIS NIGHT VISION UNIT (OR ANY OTHER OPTICAL INSTRUMENT). IT MAY PERMANENTLY DAMAGE YOUR EYES AS WELL AS THE UNIT.**


**Setting up your night vision device:**

1. Press the power button for three seconds to turn on the NV binoculars.
2. Look at the LCD viewing screen.
3. Adjust the sharpness by turning the focus wheel in either direction until it becomes clear.
4. Zoom up to 8x by pressing and holding the Left button until you reach your desired level. If you keep pressing the Right button, you will zoom down to the default of 1X.
5. When using the binoculars at night, the lens should automatically adjust to the brightness level. Tap the IR button(6) to adjust the IR brightness from levels 1-3


**Taking photos:**

1. When you power on your binoculars, it will automatically start in Photo Mode. You should see the camera icon  in the upper left corner of your LCD screen. If you do not see the camera icon, short press the Menu/Mode button until it appears.
2. Adjust the sharpness by turning the focus wheel, and for nighttime use, adjust the brightness by Pressing the IR button.
3. Press the OK button to capture the image.

**Taking video:**

1. With the power on, Short press the Menu/Mode button until you see the video icon  in the upper left corner of your screen.
2. Adjust the sharpness by turning the focus wheel, and for nighttime use, adjust the brightness by Pressing the IR button.
3. Press the OK button to capture the video.

**Using Playback mode:**

1. With the power on, press the Menu/Mode button until you see the playback icon  in the upper left corner of your screen.
2. The last file that has been saved will be displayed on the LCD screen. If it is a photo, the file suffix JPG will appear in the upper middle of the screen. For a video, the file suffix AVI will appear in the upper middle of the screen.
3. Use the Left and Right buttons to navigate through the saved files on your SD card.
4. Short Press the Menu/Mode button to enter the menu of Delete, OK, or Cancel. Use the Left/Right button to navigate the choices and press the OK button to confirm.

**Charging the battery**

Connect to the camera to the AC adaptor, using the dedicated USB cable supplied.

The camera can be charged by connecting the camera to a computer using the dedicated USB cable.

**Turn off the Device**

Press and hold the Power button until the screen off.

**Connect to a computer**

Connect the camera to PC by using USB cable and turn on the camera, the PC can read the files in this camera.

## Set-up Menu

Pressing and holding the Menu button will take you to the small set-up menu. Here you can set the photo resolution, video resolution, date, backlight and Language. Once in the set-up menu, you can use the Left/Right buttons to enter and exit a sub-menu. Within a sub-menu, you can scroll from one item to another using the Left/Right button. The OK button is for confirmation.

## Specification

Field of application	Camping and outdoor Leisure Wildlife observation Hunting
Optical Magnification	4x
Digital Zoom	8X
Lens diameter	24mm
Field of View	10°
Image sensor	CMOS
IR Illuminator Power/Wavelength	3W/850nm
Max. Viewing Distance	250-300Meters for Night
Photo resolution	40M, 30M, 25M, 20M,10M, 8M, 5M, 3M
Photo Format	JPG
Video resolution	2.5KUHD,1080FHD,1080P,720P
Video Format	AVI
Display	3 inch IPS Screen
Operating temperature	-30° up to +55° C
Language	English,Japanese, French, Spanish, Portuguese, German,Korean, Italian, Chinese, Russian, Arabic
Recording during the day	Color
Recording at night	Black and White
Memory	Micro SD card, max to 128 GB
Port	Type-C
Battery	Built-in Rechargeable Lithium battery