

Technaxx® * User Manual

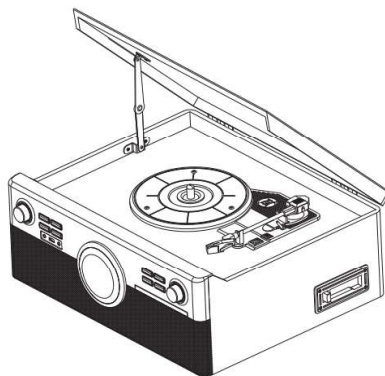
DAB Bluetooth Record-Player TX-137

The manufacturer Technaxx Deutschland GmbH & Co.KG hereby declares that this device, to which this user manual belongs, complies with the essential requirements of the standards referred to the Directive **RED 2014/53/EU**. The Declaration of Conformity you find here: www.technaxx.de/ (in bar at the bottom “Konformitätserklärung”). Before using the device the first time, read the user manual carefully.

Service phone No. for technical support: **01805 012643** (14 cent/minute from German fixed-line and 42 cent/minute from mobile networks).

Free Email: support@technaxx.de

Keep this user manual for future reference or product sharing carefully. Do the same with the original accessories for this product. In case of warranty, please contact the dealer or the store where you bought this product. **Warranty 2 years**



Features

- Digitizing vinyl records/cassette/CD/BT or AUX-IN to USB
- Music playback & recording via Bluetooth 5.0
- Playback of MP3/WMA music files from USB/CD/Bluetooth devices
- Recording of MP3 music files on USB up to 32GB
- No computer/notebook required
- RCA output for connection to HiFi systems
- Record player with automatic/manual stop & 3 speeds: 33, 45, 78rpm
- Built-in stereo loudspeakers
- Built-in cassette & CD players
- Built-in DAB / FM radio
- 3.5mm AUX-IN & 3.5mm headphone jack
- High quality design with functional handling

Contents

FEATURES	1
TECHNICAL SPECIFICATIONS	3
PRODUCT OVERVIEW	5
FIRST START	8
SETTING THE DISPLAY SYSTEM.....	8
PHONO MODE (VINYL)	9
CD MODE.....	12
USB MODE.....	14
BLUETOOTH MODE.....	15
TAPE MODE	16
AUX MODE	17
RADIO MODE.....	17
STAND-BY FUNCTION.....	19
FAQ'S.....	19

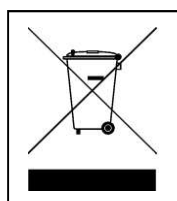
Before usage

- Choose the installation location of your unit carefully. Avoid placing it in direct sunlight or close to a source of heat. Also avoid locations subject to vibrations and excessive dust, heat, cold or moisture.
- Do not install the unit in an inclined position, it is designed to be operated in a horizontal position only.
- If the unit is brought directly from a cold to a warm location, moisture may condense inside the player, and cause damage it. When you first install the unit, or when you move it from a cold to a warm location, wait for 30 minutes before operating the unit.
- The ventilation holes should not be covered. Make sure there is enough space above and beside the amplifier/receiver.
- Do not place a CD player or other equipment on top of the device.
- Do not open the cabinet. This might cause a damage to circuitry or electrical shock.
- If you are not going to use the player for long time, be sure do disconnect the player from the AC power source. When removing the power plug, never yank the cord.
- To prevent fire or shock hazard, disconnect your unit from the AC-power source when cleaning. Use caution when cleaning and wiping the plastic parts. Do not attempt to clean the unit with the chemical solvents as this might damage the finish.

Technical specifications

Bluetooth	V5.0; profil A2DP & HFP; distance ~10m open areas	
Bluetooth transmitting frequency 2.4GHz		
Radiated output power max. 2.5mW		
Mode	Phono, Cassette, CD, USB, Bluetooth, AUX-IN, FM- / DAB radio	
Speakers	2x 9W stereo loudspeakers (8x8x2cm), input $\leq 60\text{mV}/30\text{k}\Omega$, impedance 4Ω , frequency range 90Hz–16kHz	
Radio	FM: 87.5-108MHz; antenna cable DAB: (5A)174.928-(13F)239.200Mhz	
CD	Playing & recording function; format: CD-DA/CD-R/ CD-RW/ MP3/WMA; frequency 20Hz–20kHz $\pm 3\text{dB}$; S/N $>60\text{dB}$	
Cassette	Playing & recording function; 4 track 2 channel format; 1x playhead; $\leq \text{C-90}$; speed 4.8cm per second; frequency 127Hz– 3.6kHz / S/N $\geq 25\text{dB}$	
Phono	Turnable: EP/LP/SP; DC motor; speeds: 33/45/78rpm; S/N $\geq 45\text{dB}$; needel cartridge (402–M208-015); belt-drive & semi-automatic play tone pickup arm	
AUX-IN & Headphone	3.5mm jack	
RCA output	Cinch (Left & Right)	

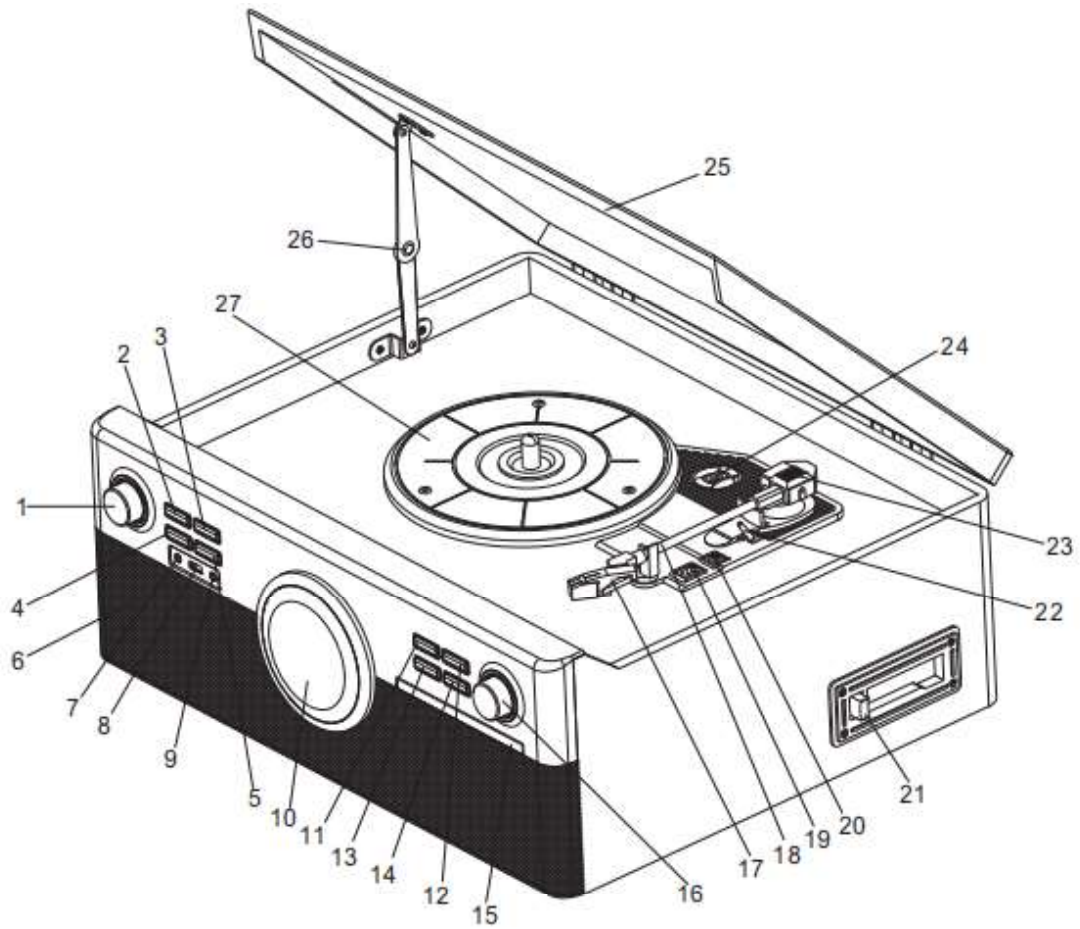
Mains voltage / current	100-240V 50/60Hz 0.65A
Power consumption	Max. 24W
Weight / Dimensions	7kg / (L) 48.0 x (W) 43.0 x (H) 19.5cm
USB flash drive	
Size	max. 32GB
Playing format	MP3, WMA
Recording format	MP3 128kbps
Folders	99 maximum
Files	999 maximum
Recording time	Use of 4GB memory equals ~65 hours recording time
Package contents	
DAB Bluetooth Record-Player TX-137, 45rpm single puck adapter, power adapter, user manual, remote control, batteries (2x AAA)	



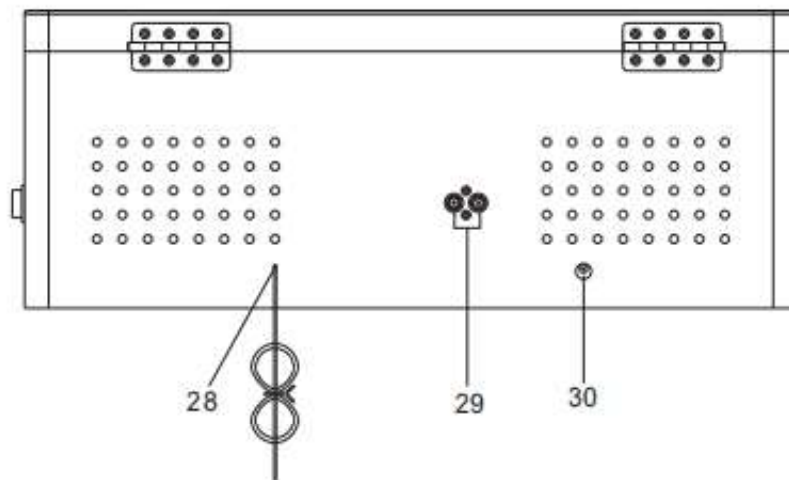
Hints for Environment Protection: Packages materials are raw materials and can be recycled. Do not disposal old devices or batteries into the domestic waste. **Cleaning:** Protect the device from contamination and pollution (use a clean drapery). Avoid using rough, coarse-grained materials or solvents/aggressive cleaner. Wipe the cleaned device accurately. **Distributor:** Technaxx Deutschland GmbH & Co.KG, Kruppstr. 105, 60388 Frankfurt a.M., Germany

Product overview

Front view and top view



Back view



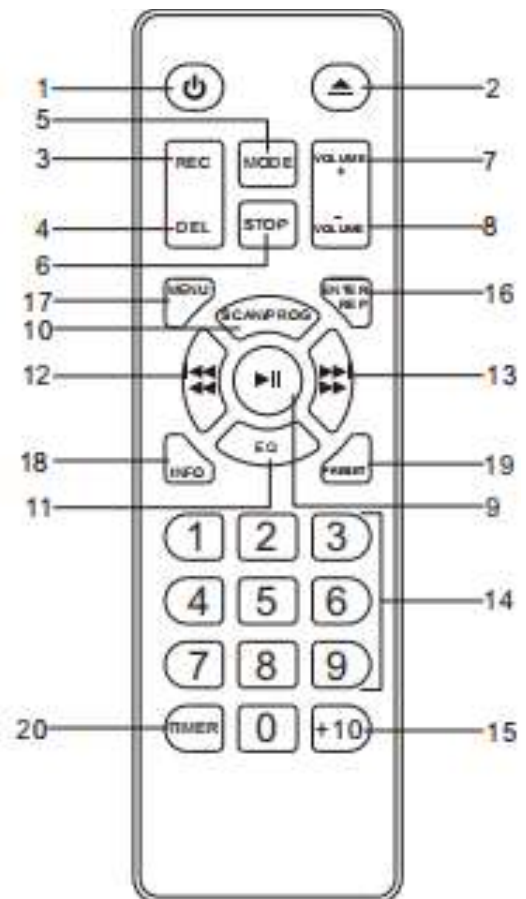
1	Power / source	2	REPEAT/PROG
3	Previous / skip	4	Scan / play / pause / enter
5	Next /skip	6	Stereo speaker
7	3.5mm Headphone jack	8	USB port
9	3.5mm AUX-IN jack	10	LCD Display
11	Preset	12	OPEN/CLOSE
13	Stop / menu / info	14	REC/DEL
15	Compact disc tray	16	Volume knob
17	Needle	18	Tone arm
19	Auto stop switch	20	33/45/78 speed switch
21	Tape eject button	22	Cue-lever
23	Tone arm weight	24	45 RPM adaptor
25	Turntable cover	26	Cover support latch
27	Turntable platter	28	DAB/FM antenna
29	RCA output jacks (left & right)	30	Power input jack (DC 12 V 2 A)

Before use, detach stylus guard (white plastic cover) by pulling it straight off the front of the cartridge in the direction of the arrow.



Remote Control

1	ON / OFF switch
2	CD tray open/close button
3	Record (REC) button
4	Delete (DEL) button
5	Mode button
6	Stop button
7	Volume up
8	Volume down
9	Play / Pause button
10	SCAN button
11	EQ button
12	Skip- / Rewind button
13	Skip+ / Fast forward button
14	Numeric keyboard
15	+ 10
16	Enter
17	Menu button
18	Info button
19	Preset button
20	Timer button



First start

Carefully read the manual. Plug the power adapter into a 100-240V AC outlet and the other end into the TX-137 (30). Be reminded: “Non-connected devices always work faulty”. Power on the device by pressing the Power button (1). After that start the mode you like to playback. Use the turning knob to change the source (1).

Setting the display system

1. Press the power/source (1) button to power the device on. The display will light up.
2. Hold and Press the MENU (13) button. Then press the previous or next button (3/5) until select the “SYSTEM”. Press previous or next button again to select **time set up / alarms / sleep / equalizer / language / back light / factory reset / SW version**.
3. Then selecting **time set up** by press ENTER (4), press the previous or next button to select set clock/ set date/ set auto update/set 12or 24 hours. Then press the ENTER button to confirm.
4. If setting **clock** or **date**, keep press the previous or next button to set hour & minutes, then press the ENTER button to confirm.
5. If setting the **Auto-Updating**, follow the above procedure 2-3 and select auto update. Then press the previous or next button to select options like radio.
6. If setting the **alarms**, press the previous or next button to select alarms set up then select alarms on or off and alarms 1 or 2. Setting alarms time after select alarms mode (Detail / DAB / FM / buzzer) and setting alarms volume.
7. If setting the **sleep**, press the previous or next button to select sleep and press ENTER button to confirm. Selecting sleep timer 15/30/45/60/90 minute and sleep off.
8. If setting **equalizer**, press the previous or next button to select equalizer and press ENTER button to confirm, selecting EQ flat / rock / classic / jazz / pop / bass / custom (selecting custom and press the previous or next button to select bass or treble audio effect).
9. If setting the **back light**, press the previous or next button to select back light and press the ENTER button to confirm, selecting backlight level (high/low/medium) and backlight time (10/20/30/45/60/90/120/180) Sec.
10. If setting the **factory reset**, press the previous or next button to select factory reset and press ENTER button to confirm, select yes or no, delete

all setting after select factory reset (yes).

11. If setting the **SW version**, press the previous or next button to select SW Version and press ENTER button to confirm. the system will be showed the production message.

Phono mode (Vinyl)

Open the Turntable Cover

- Lift the Turntable cover (25) all the way up until it stops.
- Lower the cover slowly until the latch engages.

If the latch does not engage, pull the lower bar by hand.

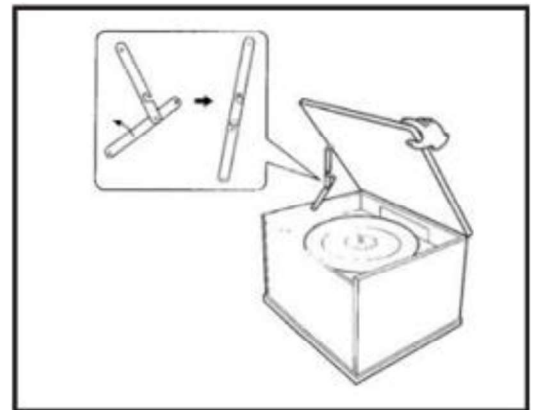
- The cover will now stay open.

Close the Turntable Cover

- Lift the cover (25) all the way up until it stops.
- The latch should disengage. Slowly lower the cover.

If the latch does not disengage, push out the lower bar by hand.

- Make sure you hold the cover carefully to avoid pinching your fingers as it closes.

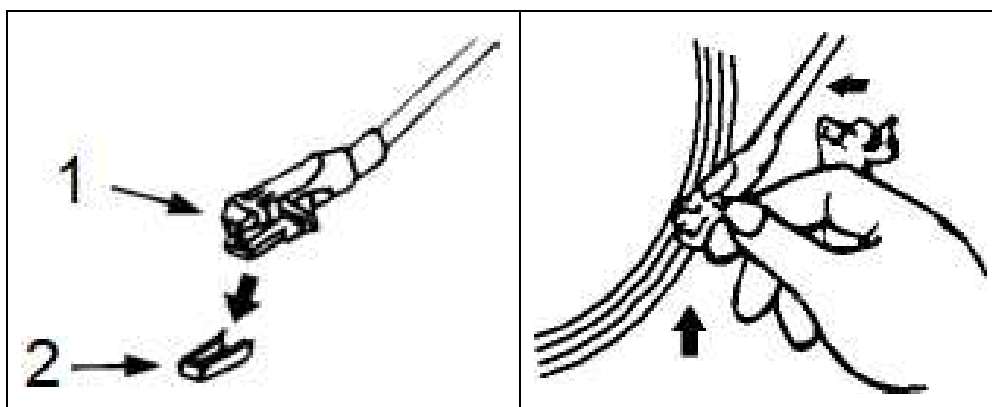


Vinyl records hints

- Do not touch the records grooves. Only handle records by their edges or the label. Ensure that your hands are clean. Skin oil will gradually deteriorate the record.
- Keep your records away from dust and store in a dry, cool place.
- Keep your records in sleeves when not in use to avoid dust and scratches.
- Store records upright. Records stored horizontally will bend and warp.
- Do not store records in the trunk of a car.
- Store records in an area with a stable temperature and low humidity.
- To clean, gently wipe the surface in a circular motion using a soft anti-static cloth.

Playing a vinyl record (! IMPORTANT !)

When using the turntable, make sure to remove the stylus protector (2). It should easily slide off the cartridge stylus assembly (1). Furthermore, make sure to unclip the tone arm lock before use and to secure it again after use.

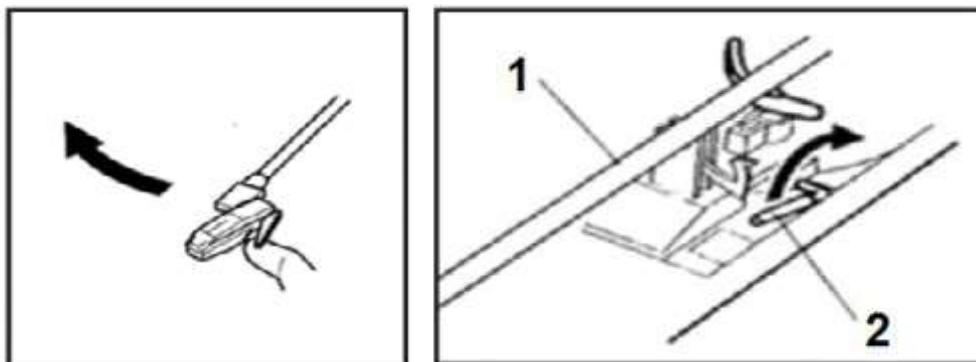


- Turn on the unit and adjust the volume to an appropriate level.
- Turn the function knob to the PHONO position.
- Place a record on the turntable platter and select the correct player speed: 33/45/78rpm according to the vinyl being played. When playing a 45rpm record, use the included 45rpm adaptor.
- Set the auto/manual stop control: Set the auto stop switch to ON to stop the turntable turning when the record is finished. If the switch is set to OFF, the turntable will continue turning.
- Remove the stylus guard and unlock the tone arm lock.
- Push the lift lever up to raise the tone arm and then gently move the tone arm to the desired position over the record.

The platter will begin to spin when the tone arm is moved toward the record. Push the cue-lever (22) forward to lower the tone arm slowly onto the desired position on the record. The record will begin playing.

- If the auto switch (19) is turned to ON, the record will stop playing automatically. If it is set to OFF, the record will not stop automatically.
- When the record is finished, push the cue-lever (22) backwards to raise the tone arm and gently move it back to its rest position.
- When you have finished playing records, engage the tone arm lock to protect it from accidental movement. Unplug it from the power supply if it is not going to be used for a while.

NOTE: Should your record stop before the last track finishes, set the Stop switch to OFF. Your record will now play to the end, but you will have to stop the turntable rotation manually.



1. Tone Arm / 2. Cue-lever

Replacing the Stylus

It is recommended that the stylus is replaced as soon as you notice a change in the sound quality. Prolonged use of a worn-out stylus may damage the record. Wear and tear on the stylus will be accelerated when playing 78 RPM records.

A: Removing the stylus from the cartridge

Place a screwdriver at the tip of the stylus heads hell and push downwards in the direction shown in sketch "A". Remove the stylus head shell by pulling it forwards and pushing downwards.



B: Installing the new stylus

Hold the tip of the stylus head shell and insert it by pressing in the direction illustrated by "B". Push the stylus head shell upwards in the direction illustrated by "C" until the stylus locks into the tip position.



(1) Guide pins inside

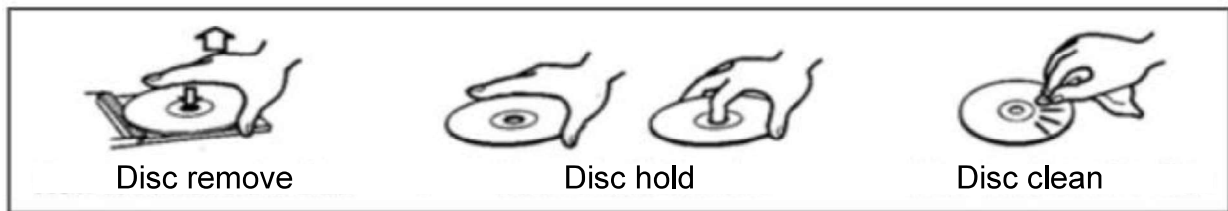
Caution

- Do not bend the stylus.
- Do not touch the needle to avoid injury.
- Turn off the unit's power before you replace the stylus.
- Keep out of reach of children.
- Handle with care as the stylus is delicate. Use of a bent or broken stylus may damage the record and cause malfunction.
- Do not expose the stylus to extreme heat.
- Contact a qualified repair person if you are having difficulties changing.

CD mode

Compact disc hints

● This Turntable is compatible with conventional audio CDs and properly finalized CD-R and CD-RW discs. ● Always place the disc in the disc tray with the label side facing up. (Compact discs can be played or recorded on one side only.) ● To remove the disc from its storage case, press down on the center of the case and lift the disc out, holding it carefully by the edges. Should the disc become dirty, wipe the surface in a circular motion from the center whole outwards with a soft, dry cloth.

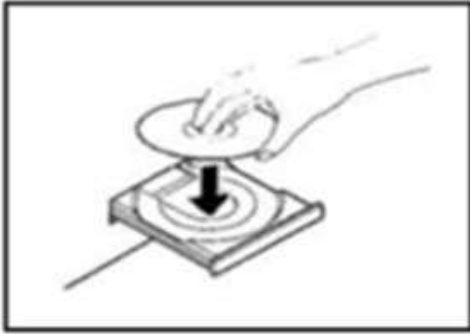


● Never use chemicals such as record sprays, antistatic sprays or fluid, benzene or thinner to clean the disc. Such chemicals will do irreparable damage to the disc's plastic surface. ● Place the disc back in its case after use to avoid dust and scratches. ● Do not expose discs to direct sunlight or high temperatures for extended periods of time. Long exposure to high temperatures will warp the disc. ● Playing warped discs may damage the unit. ● Printable discs are not recommended for use with this unit as the label side may be sticky and damage the unit. ● Do not use protective coating spray on the discs. ● Do not write on discs with ball point or hard tipped pens. Only use oil-based felt tipped pens. ● Do not use stabilizers. Using commercially available CD stabilizers may cause damage to this unit. ● Do not use CD's with an irregular shape as they may damage the Unit.



● If you have any doubts about the care and handling of a disc, read the precautions supplied with the disc, or contact the manufacturer directly.

Playing a CD



- Turn the unit ON by pressing the Power button. Set the function knob to CD.
- Place a disc on the tray with the printed label facing up.
- Press the OPEN/CLOSE button (**▲**) to close the tray.
- The total number of tracks will appear on the display screen.

- The system will start playback automatically after several seconds, or press the PLAY/PAUSE button (**▶||**) to start playback.
- Disc playback starts from the first track, and the PLAY indicator will illuminate.
- During playback, the number of the track playing will display on the screen.
- Turn the Volume knob to adjust the volume.
- Press the PLAY/PAUSE button (**▶||**) during playback. Playback will stop at the current position.
- To resume playback, press the PLAY/PAUSE button (**▶||**) again.
- Press the STOP button (**■**) to stop playback.

NOTE:

- Do not place more than one disc in the tray at one time.
- The disc must be placed in the center of the disc tray.
- If the disc is not properly inserted, it may not be possible to get the disc out once it has closed.
- Do not force the tray by hand when it is opening and closing.

To Skip to the Next or Previous Track

- During playback, repeatedly press the NEXT/PREVIOUS buttons (**◀◀/▶▶**) until the desired track is found. The selected track will play from the beginning.
- In STOP mode, press the NEXT/PREVIOUS buttons (**◀◀/▶▶**) repeatedly until the desired track is found. Press the PLAY/PAUSE button (**▶||**) to start playback from the selected track.
- When the PREVIOUS (**◀◀**) button is pressed during playback, the track being played will restart from the beginning. To return to the beginning of the previous track, press the PREVIOUS button (**◀◀**) twice.

Search for Part of a Track

- During playback, hold down the NEXT or PREVIOUS buttons (**◀◀/▶▶**) for fast backward/forward, then release when the desired section is found.

Repeat Function

Press the REPEAT/PROG to activate this function. All the tracks can be played in difference mode as follow:

- Repeat all: you can listen the desired tracks or folder repeatedly by this function.
- Repeat one: you can listen the desired track repeatedly by this function.
- Random play: you can listen all the tracks or folder in a random order by this function.

Program Function

Up to 99 tracks can be programmed for mp3 (20 tracks from CD) and be played in your desired order. Before use, be sure the system is at stop mode.

1. Go in CD mode and press ■ (13) to stop the CD playback.
2. Press the PROG button (2) "PROG" will appear on display . Moreover, it will indicate program no. and digits for track no. to be programmed.
3. Selecting a desired track by pressing SKIP UP/DOWN (3/5)
4. Press the PROGRAM BUTTON (2) to store the track into memory.
5. Repeat steps 3 and 4 to enter additional tracks into the memory if necessary.
6. When all the desired tracks have been programmed, press PLAY/PAUSE (4) button to play the disc in assigned order.
7. To delete the programmed file order, press STOP button again.

USB mode

USB Playback

- Turn ON the unit and adjust the volume to an appropriate level.
- Insert a USB device into the USB port, making sure to insert it straight without bending.
- Turn the function knob to USB position.

Playback controls

- To pause playback, press the PLAY/PAUSE (▶||) button once to halt playing. Press it again to continue playback.
- To play the previous track, press ◀ once or hold down continuously to rapidly progress through previous tracks.
- To play the next track, press ▶ once or hold down continuously to rapidly advance through tracks.
- To stop playback of the music track, press the STOP/ ■ button.

Recording onto a USB flash drive

This equipment has the capacity to encode your traditional music media (vinyl records, cassette tapes, Bluetooth audio, radio or CDs) into digital format and record it onto a USB device as MP3 file(s).

- Insert a storage device (USB-Stick) into the USB slot.
- Get your traditional music media ready for playback: Either place a record on the turntable, insert a cassette tape into the cassette slot, insert a CD into a CD player or connect a different recording medium to the AUX IN socket.
- Set the function switch to the appropriate function: PHONO, CD, TAPE, RADIO (FM/DAB), BT or AUX.
- Press the RECORD button (14) to start the recording.
- Press the STOP button to stop recording. The music track(s) will be saved directly on the USB flash drive as MP3 file(s).

NOTE: If you are recording via Cassette, make sure an AUX IN cable is not connected to AUX socket. ● Mute the volume will also mute the record. Volume decrease or increase has no impact to the record. ● The recording speed is 1:1. Recording will take as long as playing the record, cassette tape or CD. ● The recording format is preset at MP3 bit rate 128 kbps.

DELETE FROM USB

To delete a file from your media storage device, in stop mode, first select the track by using the ◀◀ or ▶▶ buttons. You can also delete a track while it is being played in playback mode. Press and hold the REC/DEL button until the DEL indicator flashes on the display. You can choose between delete one file, folder or all by pressing ◀◀ or ▶▶. Then press the REC/DEL button again and the file will be deleted.

Bluetooth mode

Bluetooth playing

- Select the source switch to “Bluetooth”. Then you should turn on your phone or other media device and start the Bluetooth searching function, receive carrier will receive the Bluetooth identification number for: “**Technaxx TX-137**”, when your Bluetooth device is connected, the speaker will beep.

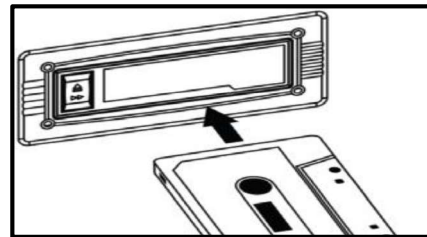
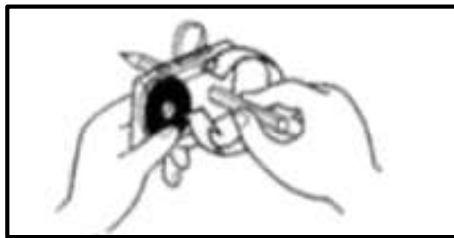
Select the ▶▶, ◀◀, ▶|| or ■ buttons, which can make you pause/play, interrupt or stop the songs. To quit the function, change the source or press the POWER to standby the device.

Attention: If you reboot the machine, you should repeat those steps to get the Bluetooth function restarted. Under the Bluetooth function situation, it's not available for the hands-free function. The last connected device connects automatically.

Tape mode

Cassette Tape hints

- Metal and chrome (cobalt) tapes have identification holes.
- Use your finger or a pencil to turn the cassette tape's hub and take up any slack tape.
- Avoid touching the tape. Finger prints attract dust and dirt.
- Avoid dropping or subjecting cassettes to excessive shock or force.



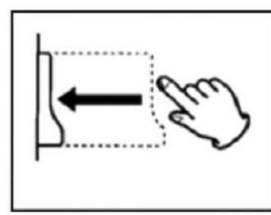
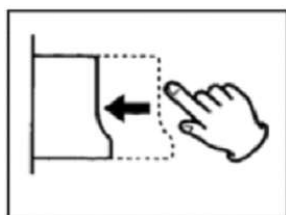
IMPORTANT when using the cassette deck:

- Make sure to insert the cassette in the correct direction.
- To avoid damaging the cassette, we strongly recommend taking it out of the equipment after playing the cassette.

Playing a cassette

- Turn ON the unit and adjust the volume to an appropriate level.
- Turn the Function knob to Cassette.
- Insert a pre-recorded tape into the cassette slot with the tape side to the right. By pushing slightly, the tape will slide into place and begin playing automatically.

NOTE: ● To fast forward the cassette tape, press the tape eject button (21) halfway down while the cassette is playing. ● To resume normal playback, release the button. ● To stop playback, press the button completely. The playback will be stopped and the cassette will be ejected.



AUX mode

Playing Music from an AUX input

- Turn the unit ON by pressing the Power button.
- Set the source to AUX.
- Connect one end of the 3.5mm AUX-IN cable (not included) into the 3.5mm AUX-IN Jack on the front panel of the unit and the other end to your audio device's (CD player, Tablet, MP3 player, Smartphone etc.) AUX jack.
- Press PLAY on the external audio source.

NOTE: ● The volume output is affected by the volume level on the source. Ensure that the source volume is set to about 70-80% to avoid sound distortion. ● Playback cannot be controlled from the front panel when using AUX IN mode. Playback must be controlled from your connected audio device.

Connecting to headphones

- Adjust the volume to an appropriate level before you put on your headphones.
- Plug in your 3.5mm headphone jack to the headphone socket.

Connecting to an external amplifier

- This feature enables you to play turntable music through amplifier or external speakers. You will need an RCA cable to make this connection (not included).
- Plug one end of the Red and White RCA jacks into the LINE OUT ports (29) at the back of the TX-137 and the other end into R (red) and L (white) sockets at the back of the amplifier or external speakers.

Radio Mode

DAB/FM RADIO OPERATION

This device comes supplied with a DAB/ FM antenna. Before first use, remove the black plastic tie-wrap that is holding the antenna. Keep any digital devices or mobile phones away from the antenna, as this may lead to interference of reception. The antenna may need to be re-positioned if you move the device to a new location.

- Turn the POWER on to select **FM** or **DAB**. (1) ● Press the SCAN button (4) to search your desired radio station while adjusting the antenna location to obtain the best reception.

Automatic tuning of FM

● During FM working mode press the MENU BUTTON, then press the SCAN button until select the “scanning” or press and hold the previous or next key. ● Press the SCAN button and the device scans all of the FM stations.

Radio data system information

During FM mode, press the INFO button to display informations, program no. / program type / signal strength / time and date.

FM-Mono & FM-Stereo reception

Stereo reception is possible when the tuned FM station is broadcasting in stereo. Press the MENU button until selecting “AUDIO SETTING”, then press the previous or next to select between FORCED MONO or STEREO ALLOWED.

Automatic tuning of DAB

● Hold the menu button to select station scan. ● Press the SCAN button to start searching the DAB / DAB+ stations.

Manual tuning

● Press the previous or next button. The station will be finding manually the desired station. ● During DAB reception, press the INFO button to display informations of the DAB station on the display. Program type / program no. / frequency range / signal strength / time and date, etc.

Preset memory FM/DAB/DAB+

● When selected the desired station, press and hold the PRESET (11) button for 2 seconds. ● The display show “Preset Store 1: (Empty)”. press the previous or next button to select the desired preset number, then press and hold the enter button to store the station.

Stand-by function

● Press the POWER button to enter instant the standby mode. ● The unit will enter standby mode automatically after 15 minutes when it is not playing any music. Press the POWER button (1) and it will power on again. Press any other button and the display lights up for a few seconds.

FAQ's

Device will not power on

→ Make sure that the unit's power cord is connected to an appropriate electrical outlet and the wall socket is switched on.

There is no sound

→ Rotate the power/volume knob clockwise to increase the volume.

The cassette tape will not play

→ Make sure the function knob is set to your desired function. Make sure it is properly inserted.

The vinyl record will not play

→ Make sure the function knob is set to you desired function. Make sure you have selected the right speed (33, 45 or 78 RPM).

Nothing will play via the AUX IN connection

→ Make sure the cable is firmly connected and check if external device is clean and undamaged. Check the function knob is set to your desired function. Check that volume of external device is at 70-80%.

Nothing will play via the USB device

→ Make sure the memory device is properly inserted in the USB port and the correct function is selected. The media may need to be formatted.

NOTE: If normal operation cannot be obtained, unplug the power cord from the power outlet and plug it in again.

Important Hints

- **Unpacking and handling:** Open the carton carefully and remove the packing. Remove the poly-bag and retain all packaging for future use. Keep all packaging away from small children and animals.
- **Positioning the music centre:** Place the equipment on a stable surface, away from any heat sources, and ensuring adequate ventilation around the music centre.
- **Ventilation and heat sources:** Do not place material over any ventilation slots during use, this will cause the device to overheat and fail. Do not place the device in direct sunlight or near heat sources such as radiators or fires.
- **Candles and open flames:** Do not place lighted candles or tea lights on top of, or at the sides of the music centre. Do not allow any naked flames near the cabinet.
- **Connections:** When connecting the music centre to the mains supply, do not place wires that can be tripped over. Do not trap or place heavy objects on the mains lead.
- **Moisture:** Do not place the equipment in wet or damp conditions, such as steamy kitchens, bathrooms or basements. Do not allow water or other fluids to enter the equipment. Do not touch the mains plug or adaptor with wet hands. Should moisture enter the music centre, disconnect from the power supply.
- **Cleaning and care:** Disconnect the music centre from the mains power supply. Use a soft dry cloth, or for stubborn stains use a soft cloth with a dilute mild detergent. Do not use alcohol-based fluids or abrasive materials.

DO NOT

- Do not use this unit for anything other than its intended to use.
- Do not drop / bump / shake the device
- Do not use the unit if it has been damaged in any way.
- Do not open / repair / disassemble the device
- Do not store the device in high temperature environment / close to open fire / in humid, damp or erosive environments / into water.
- **Stop using** when unusual smell / heating distortion/color-change of the shell material or other abnormal situation happens.
- **Keep away from** children / persons without enough mental ability/persons without enough knowledge to use this product.