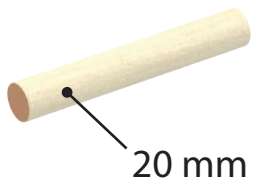


1

PDF Compressor Free Version

(1:1)

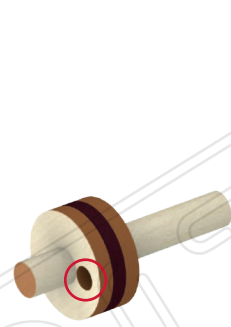
20 mm



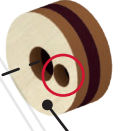
2



32

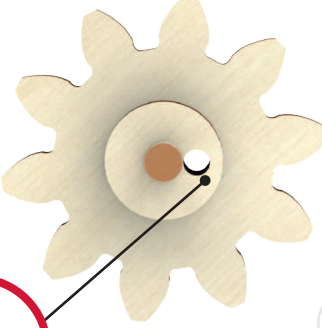
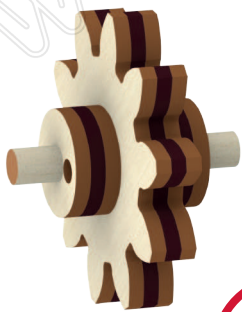


43



32

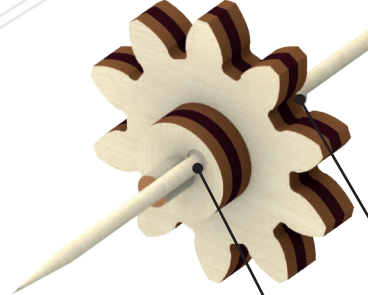
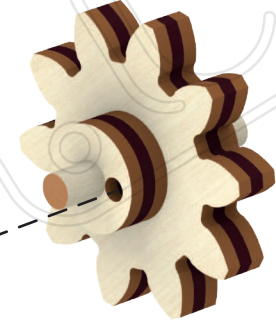
3



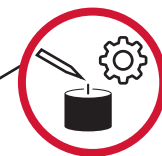
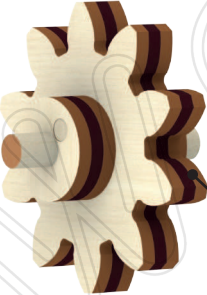
4



5



6



7



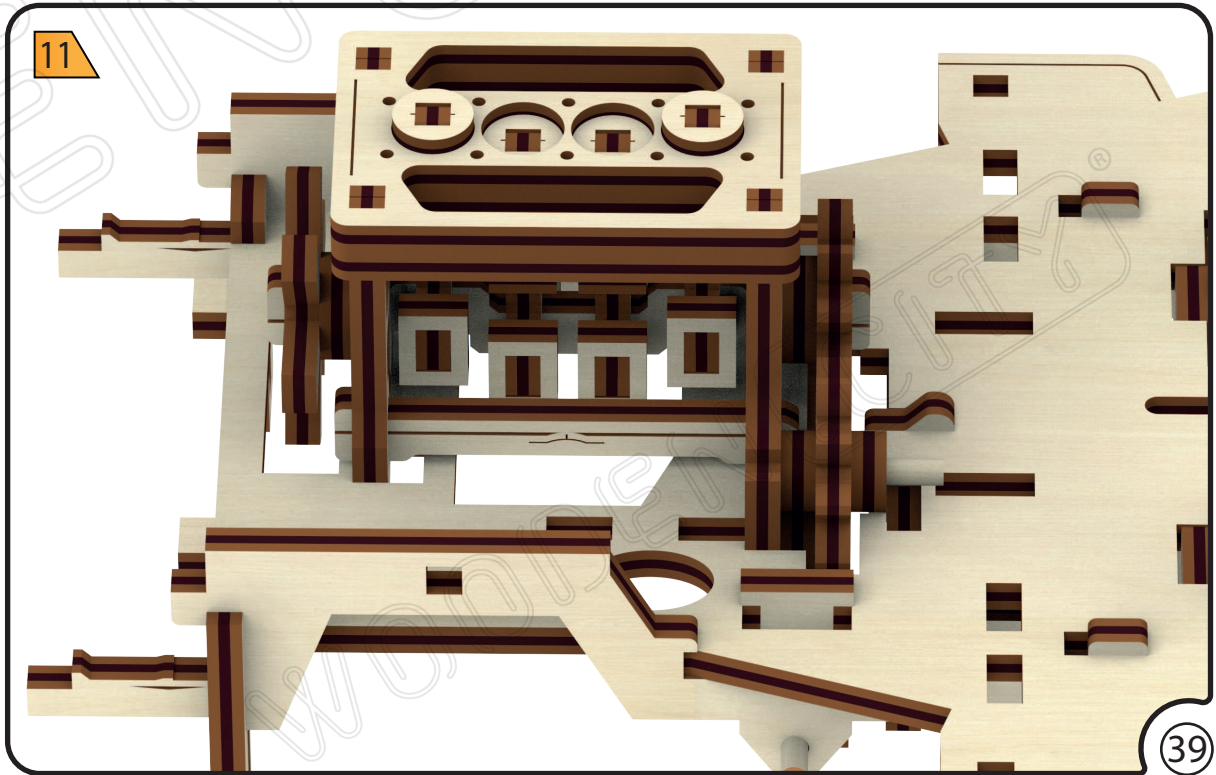
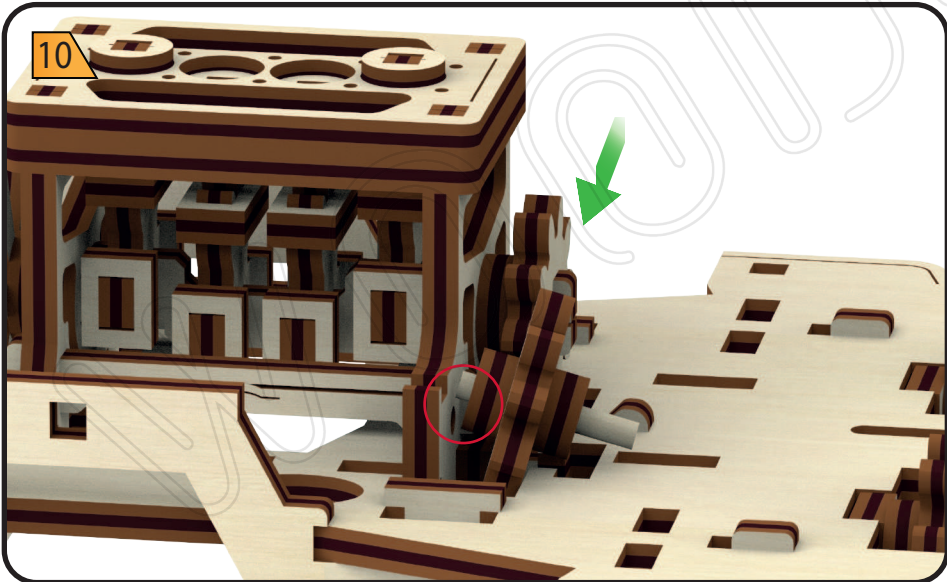
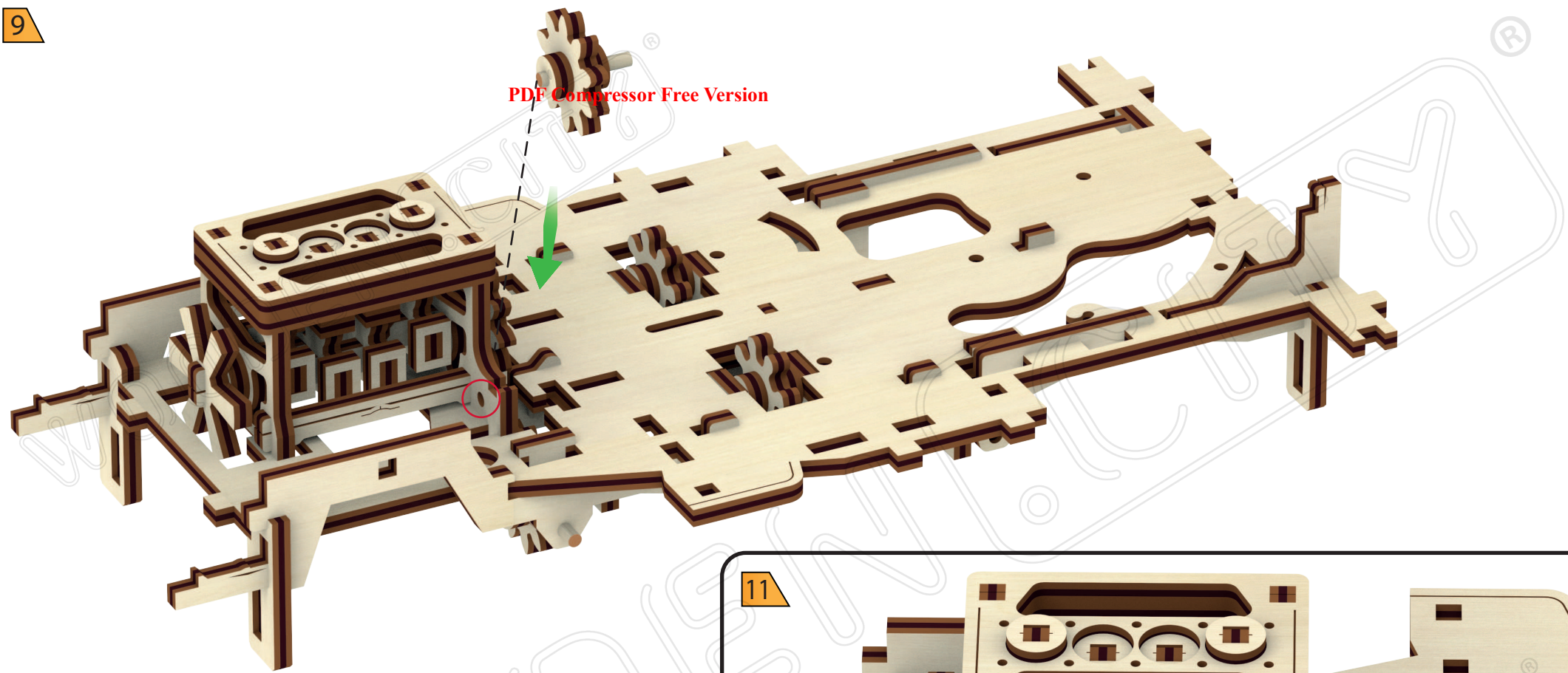
8





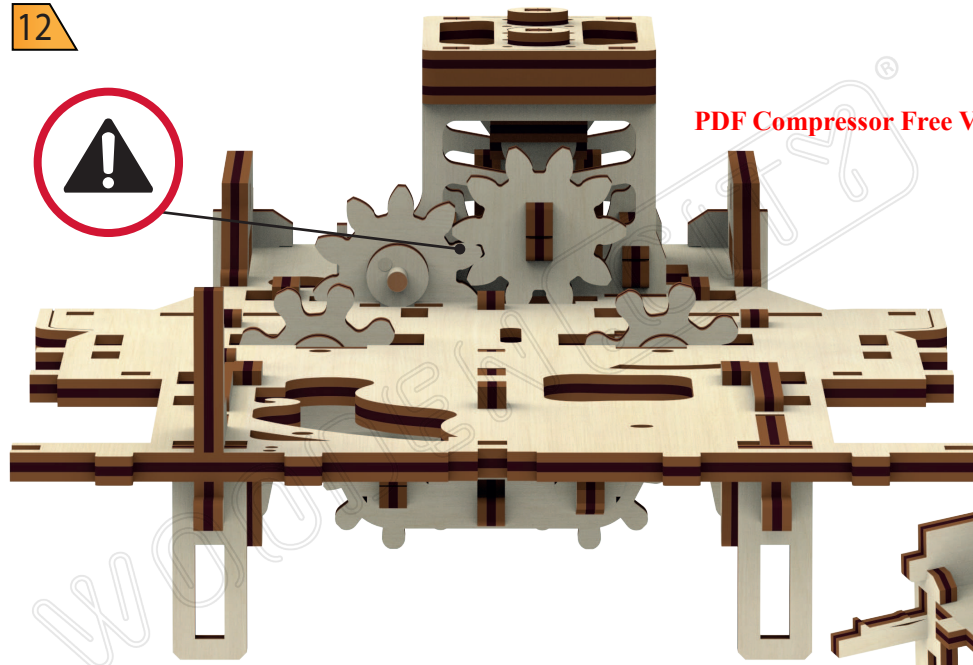
9

PDF Compressor Free Version



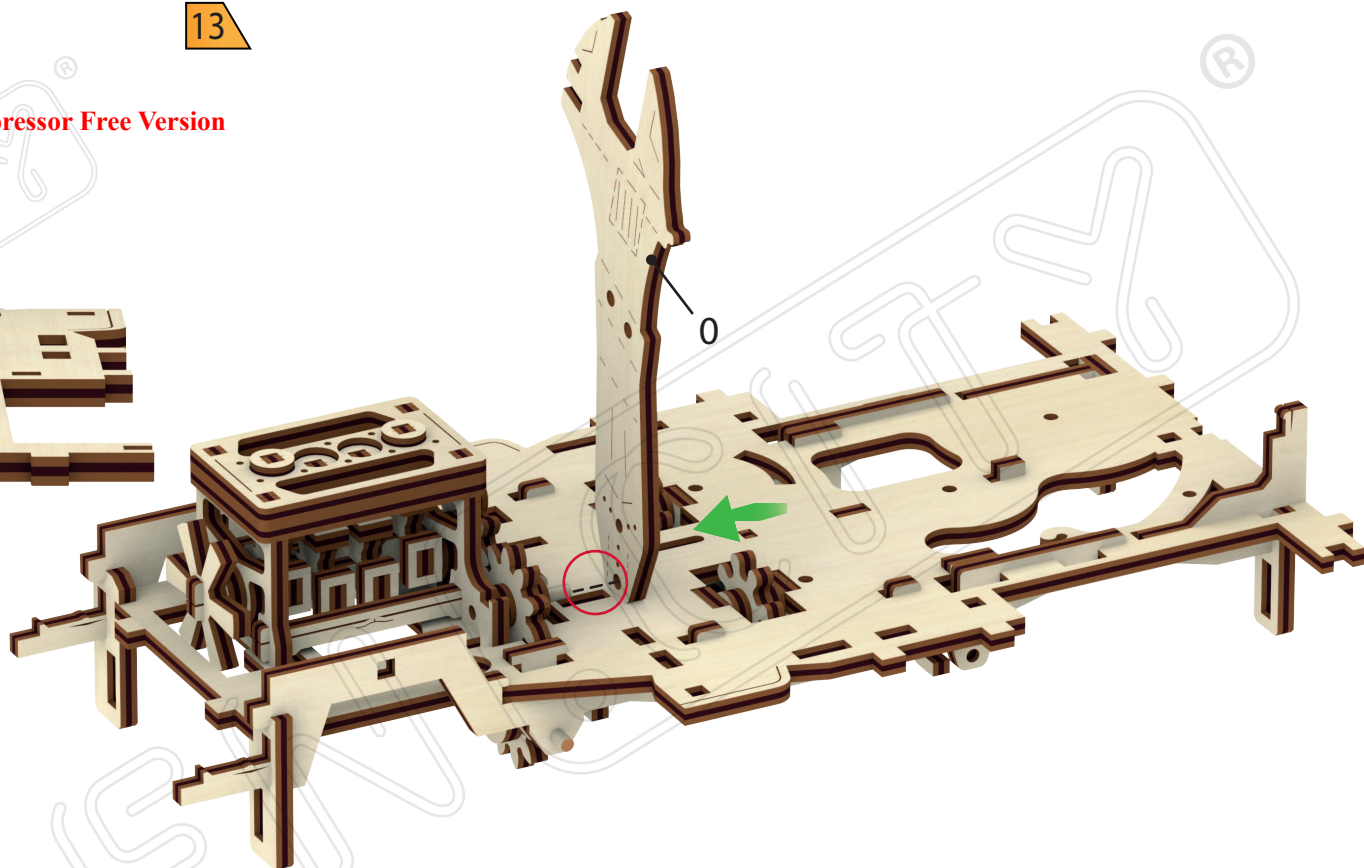


12

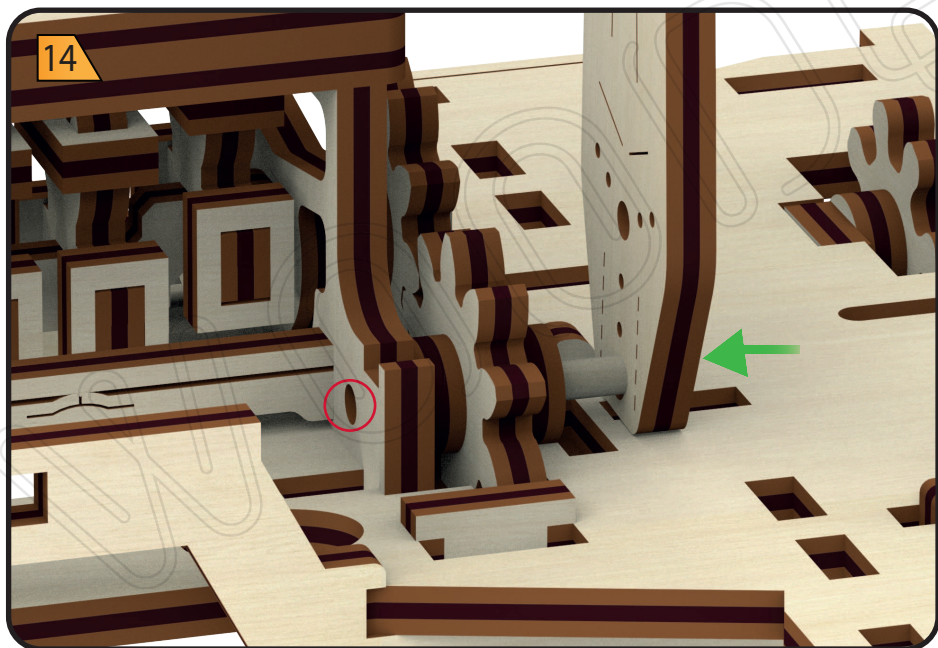


13

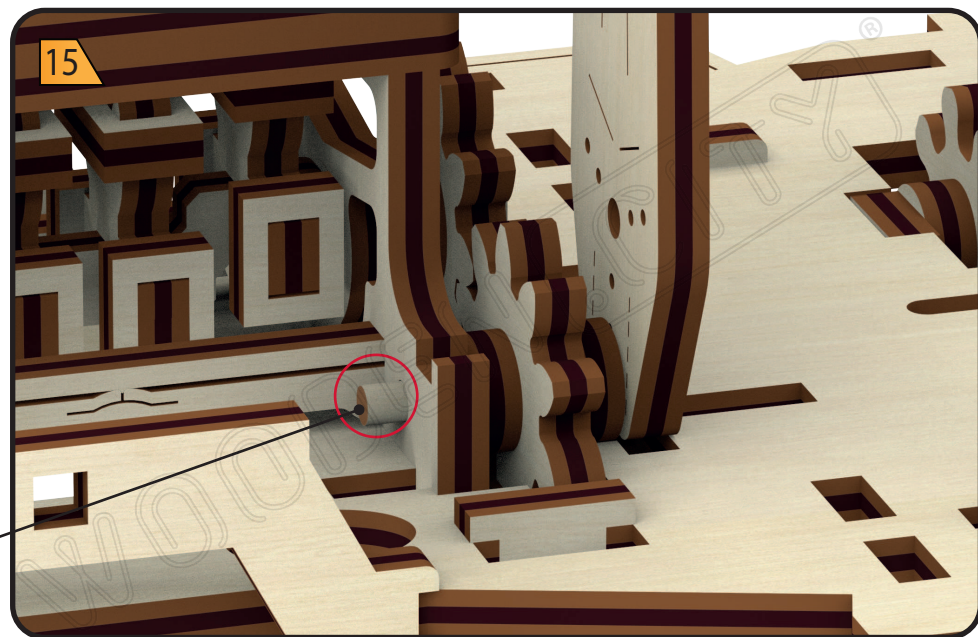
PDF Compressor Free Version



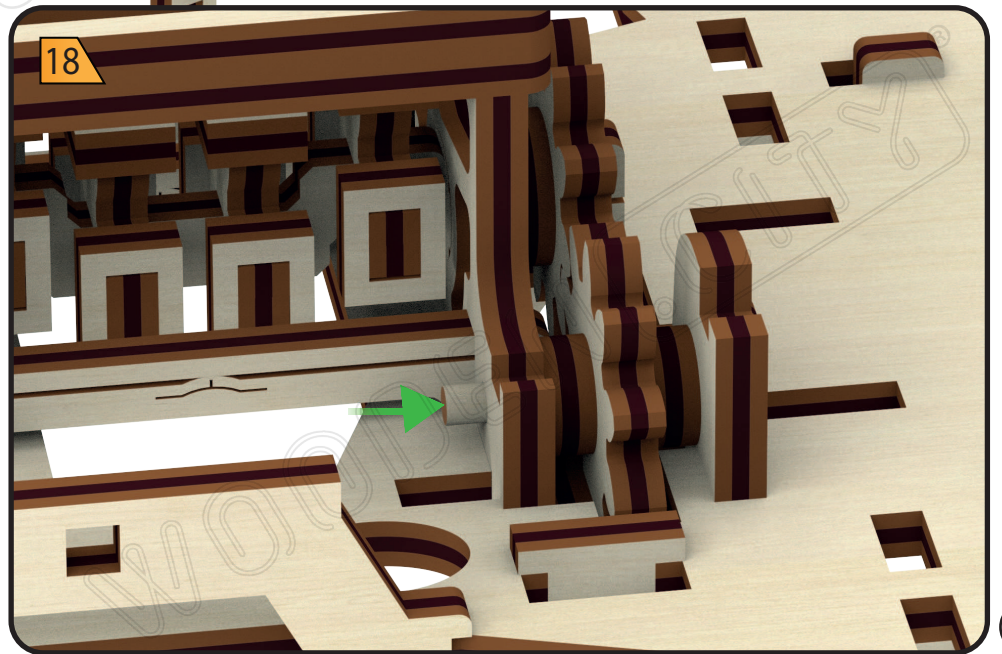
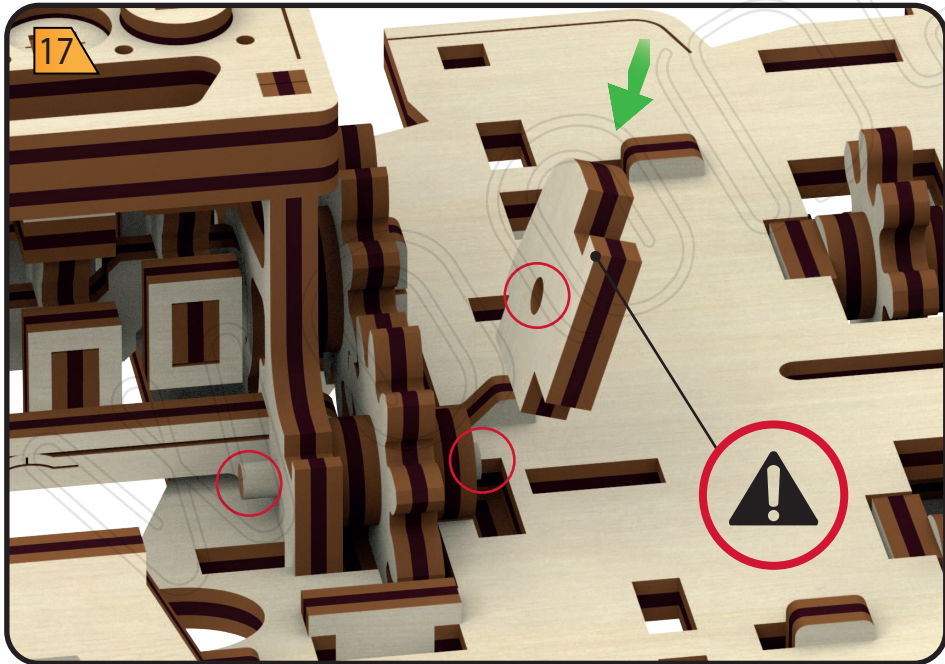
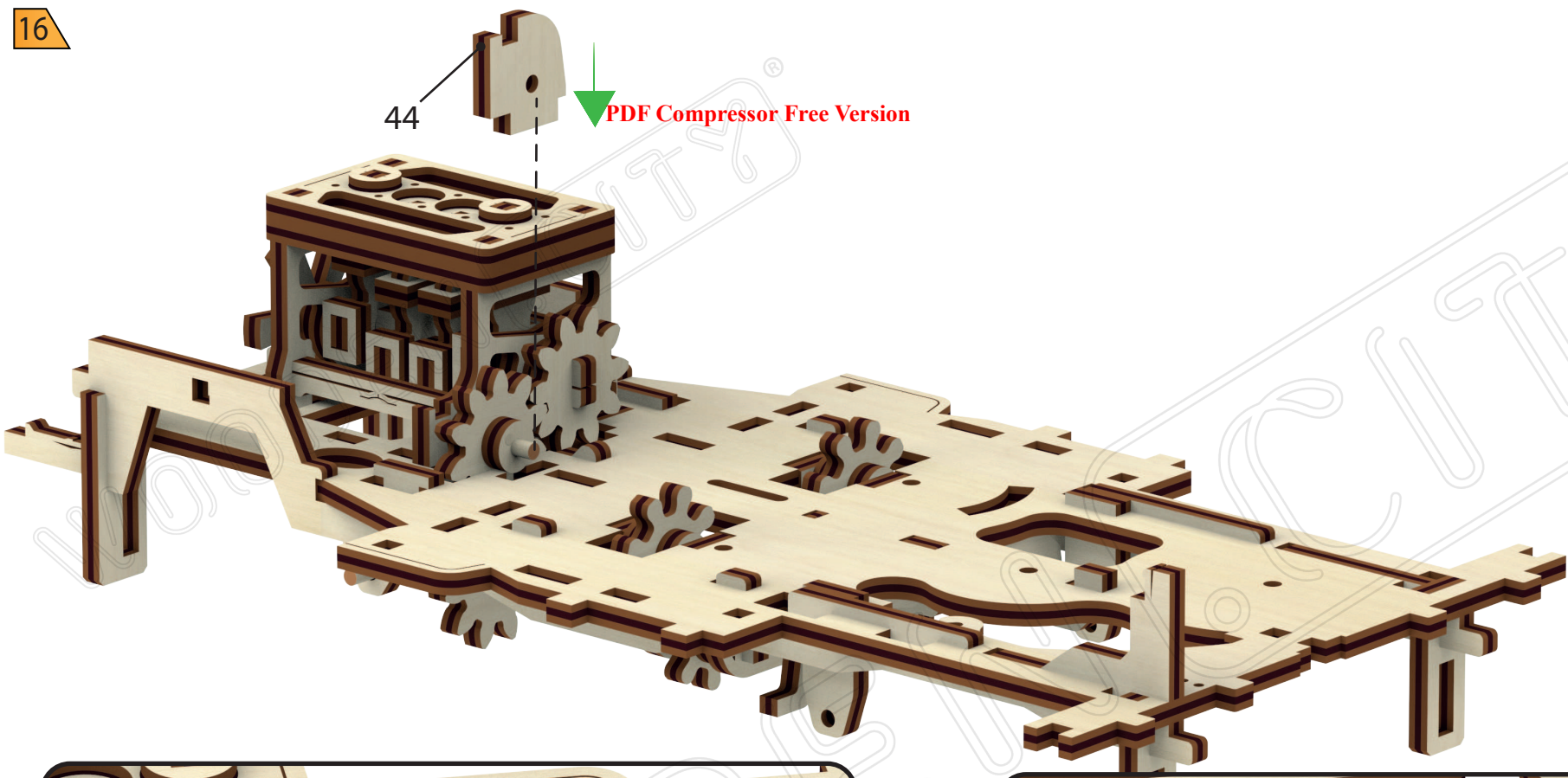
14



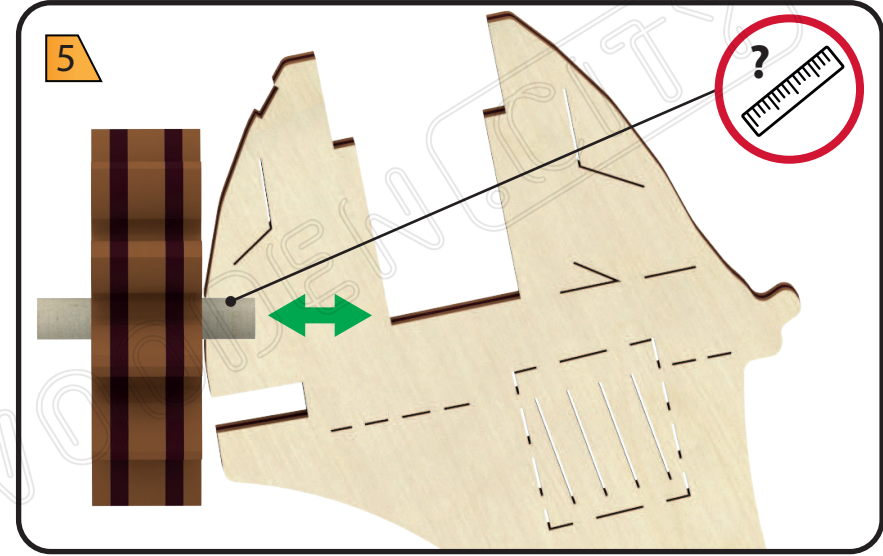
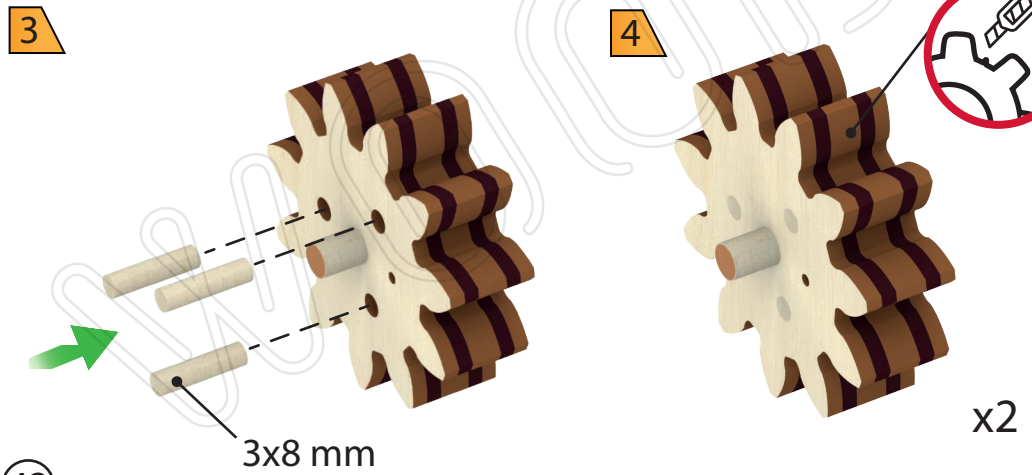
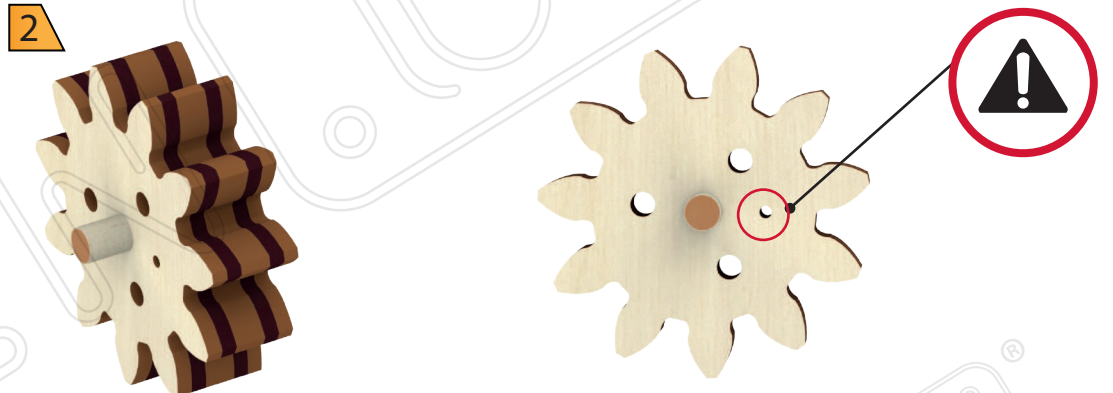
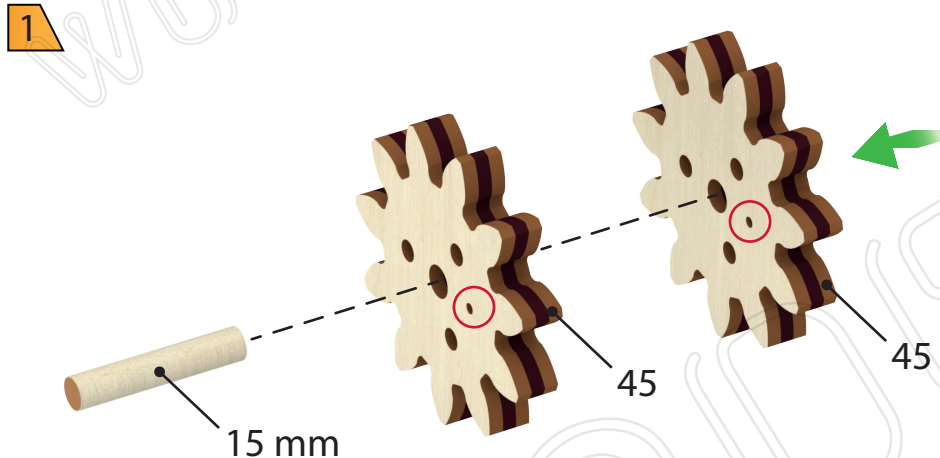
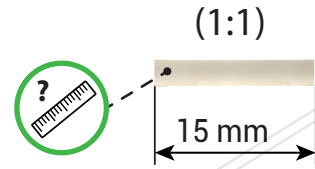
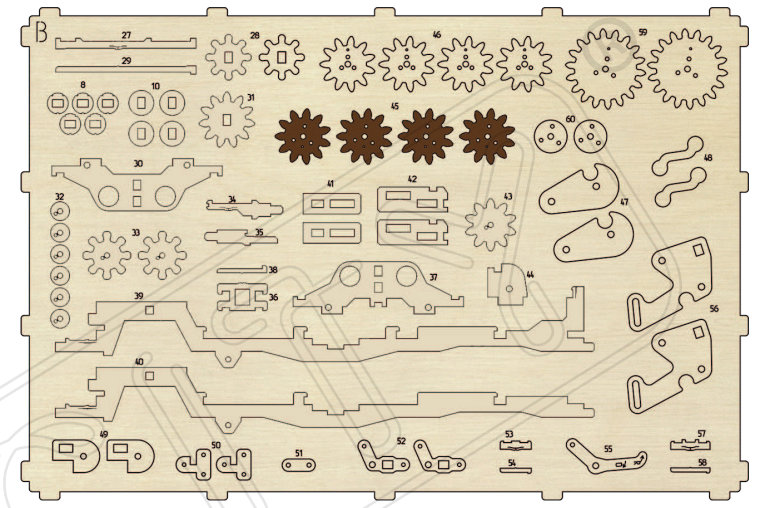
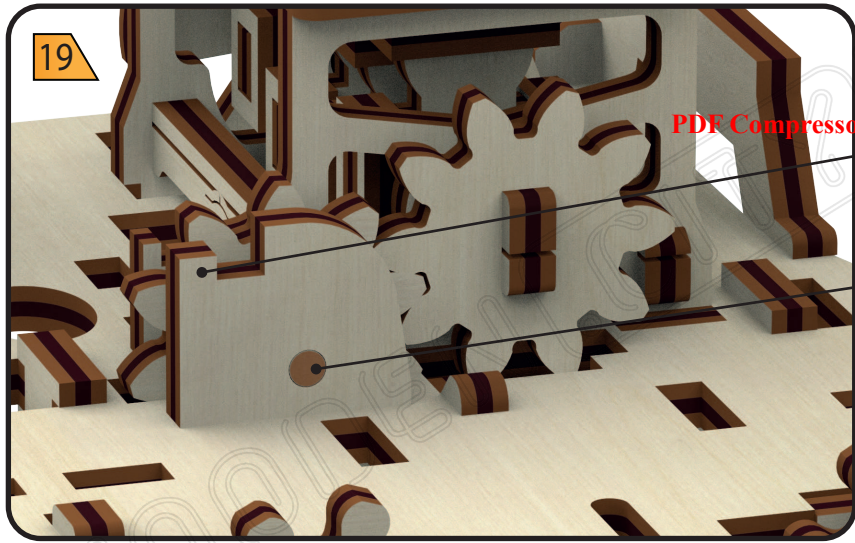
15



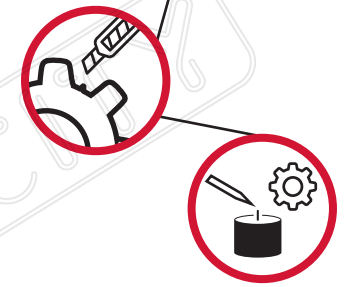
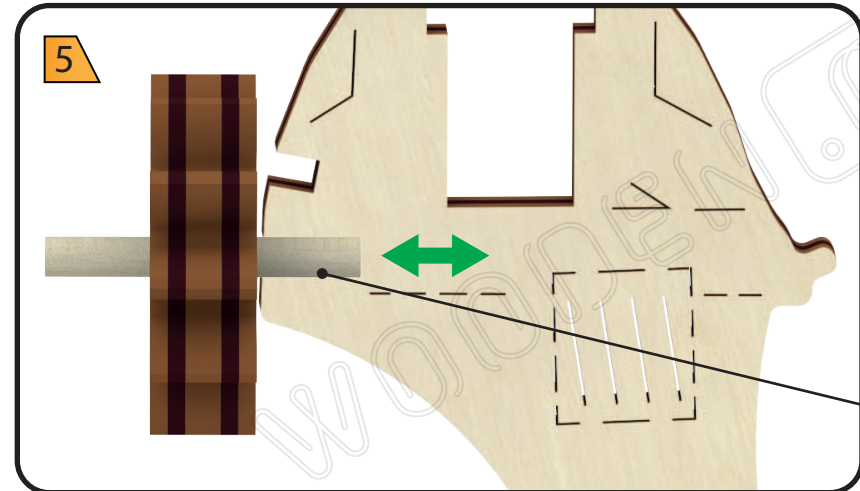
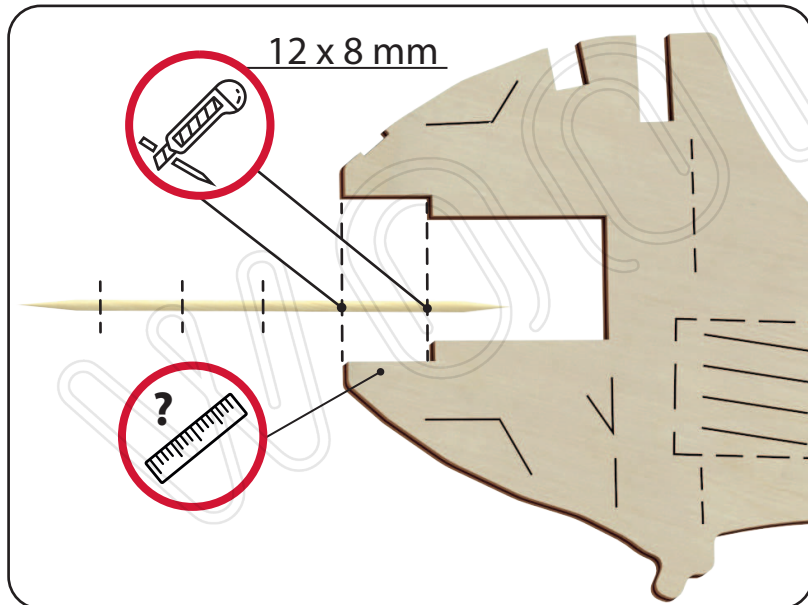
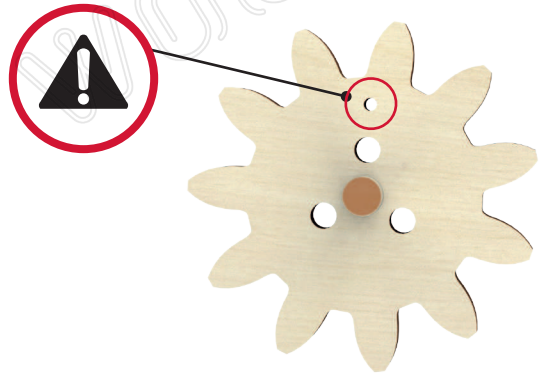
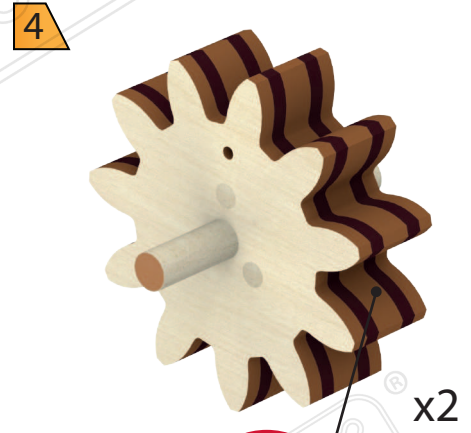
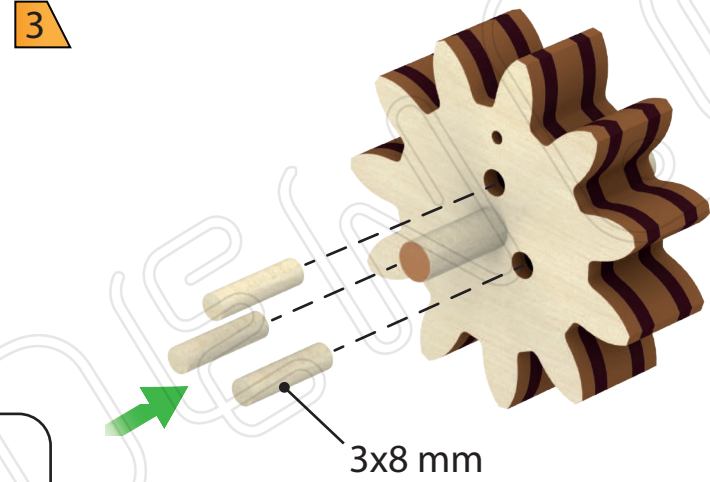
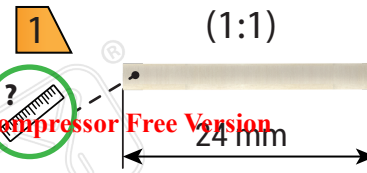
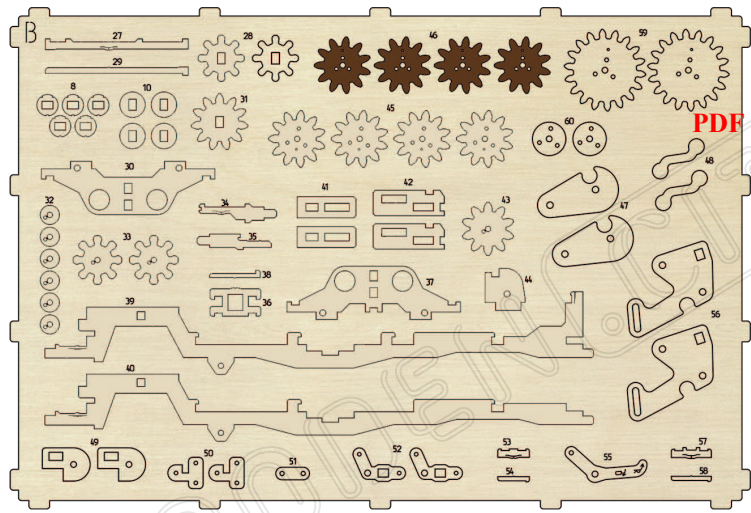




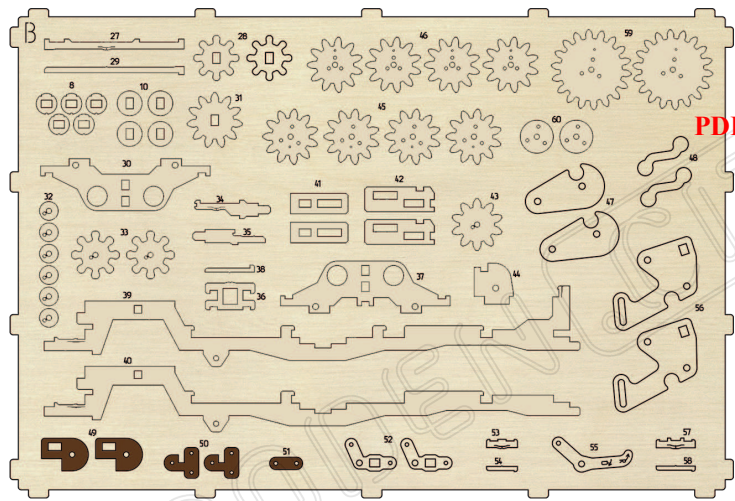






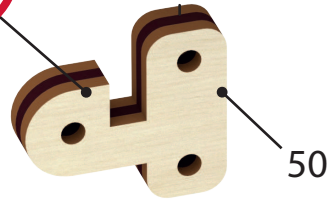
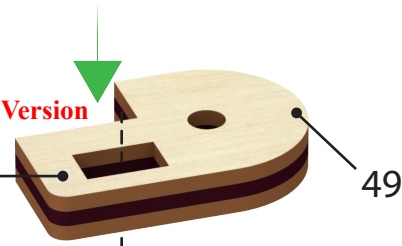




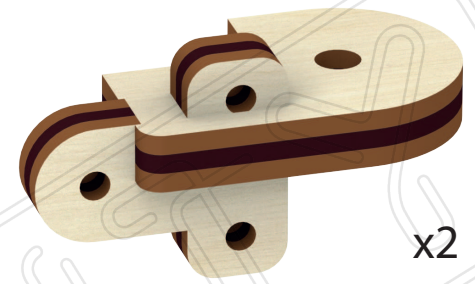


1

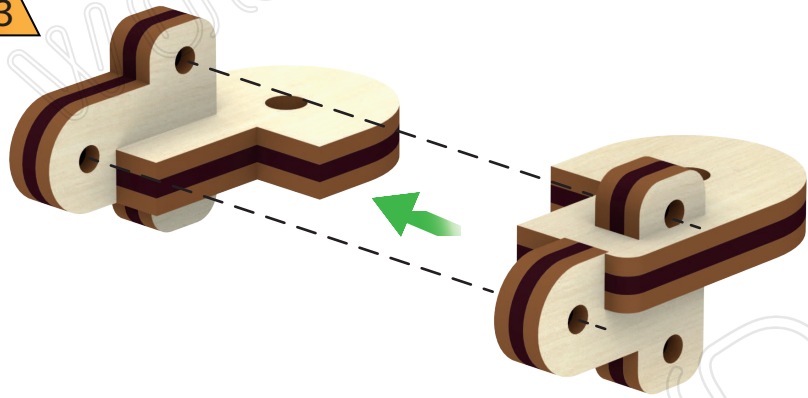
PDF Compressor Free Version



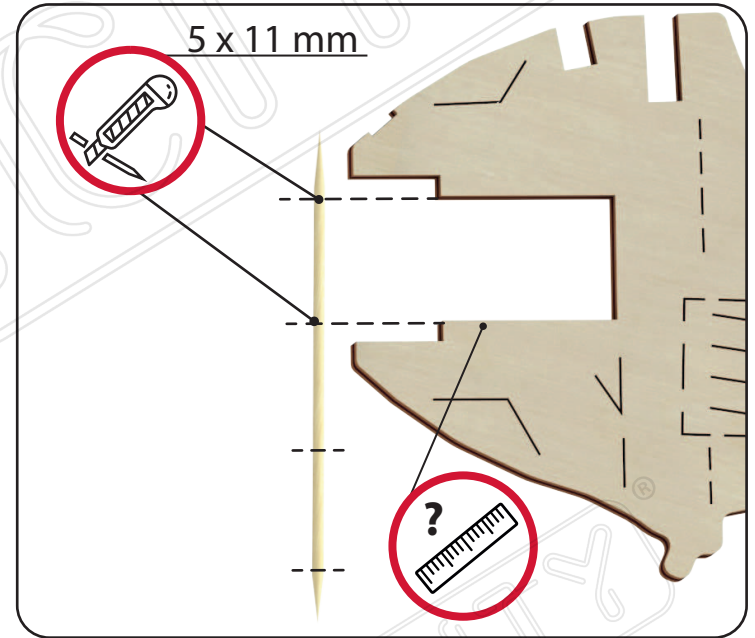
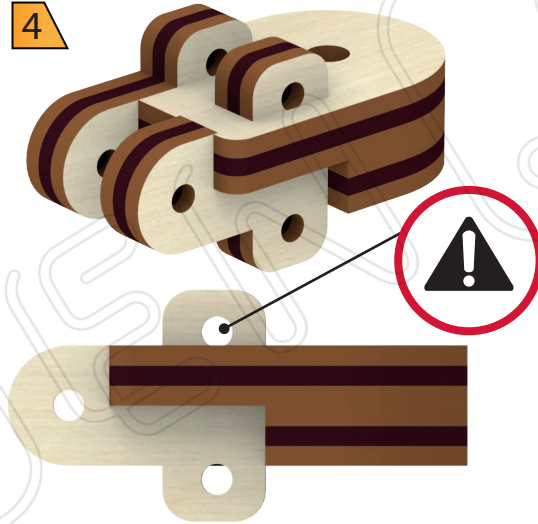
2



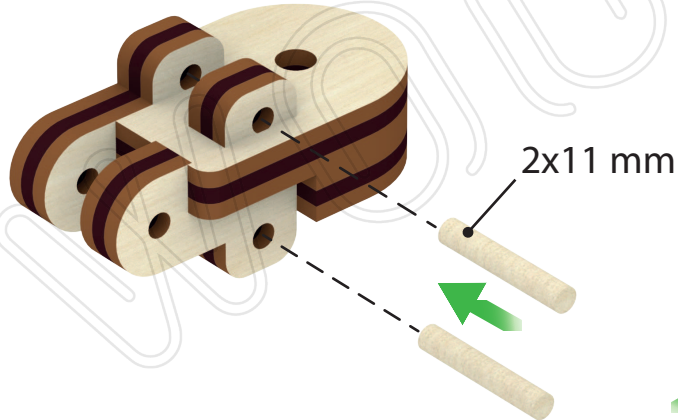
3



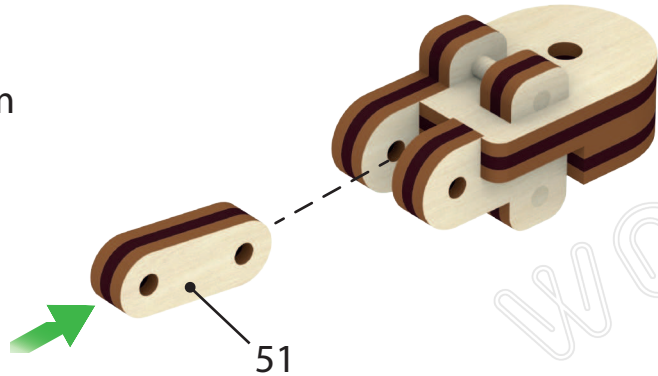
4



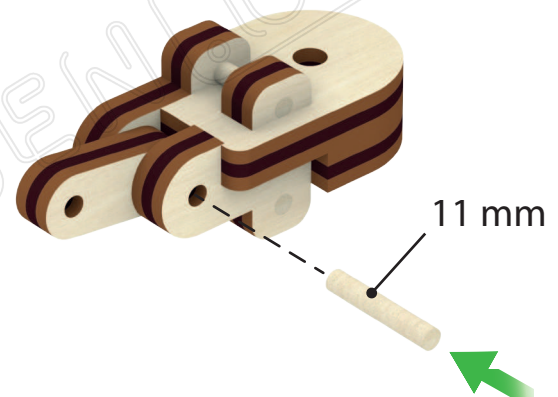
5



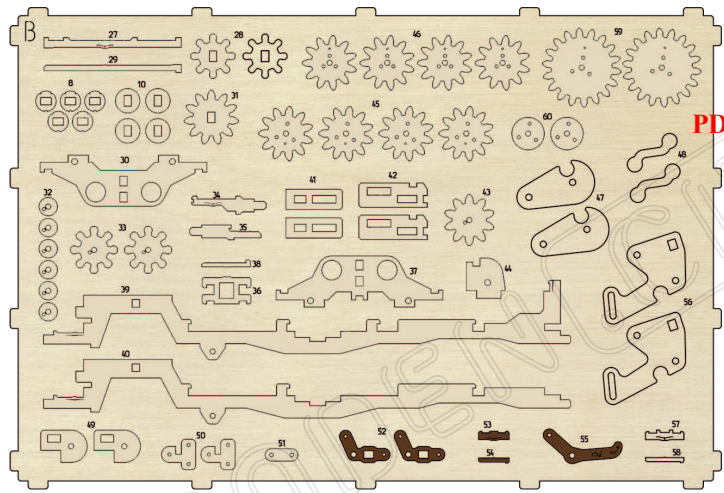
6



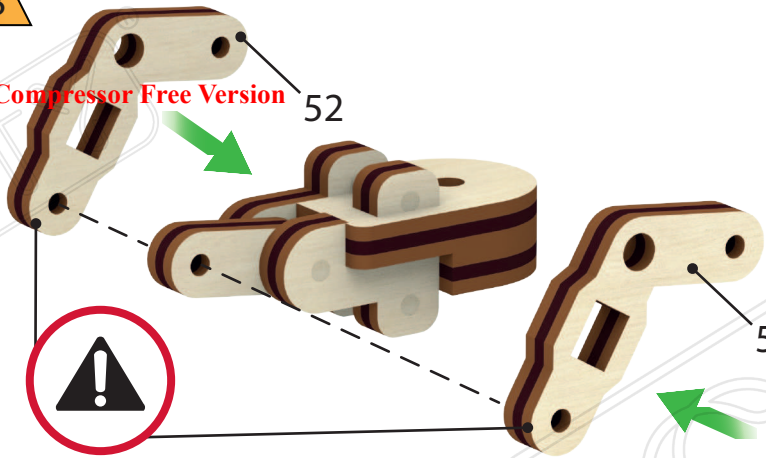
7



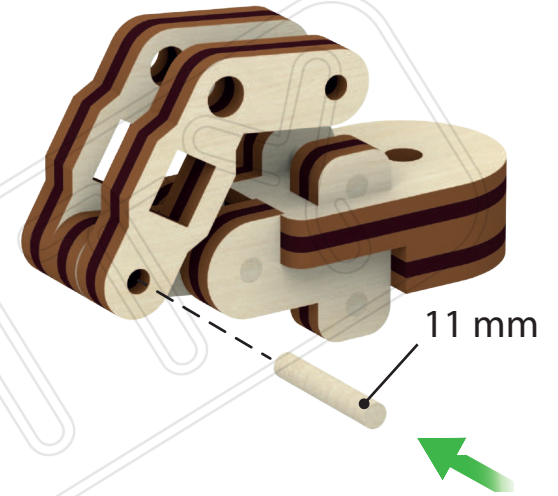




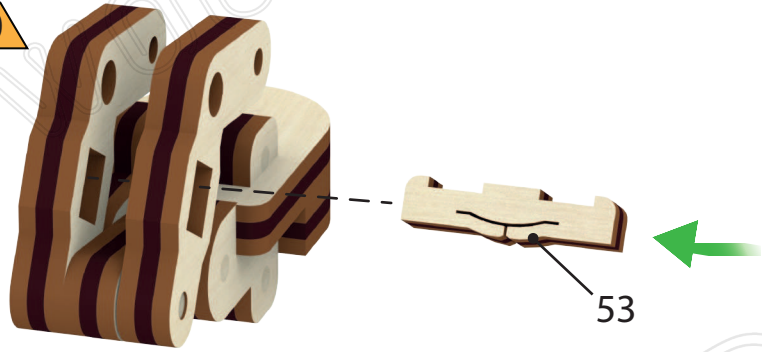
8



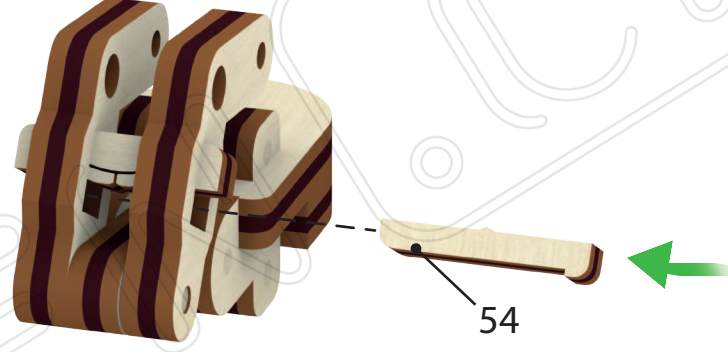
9



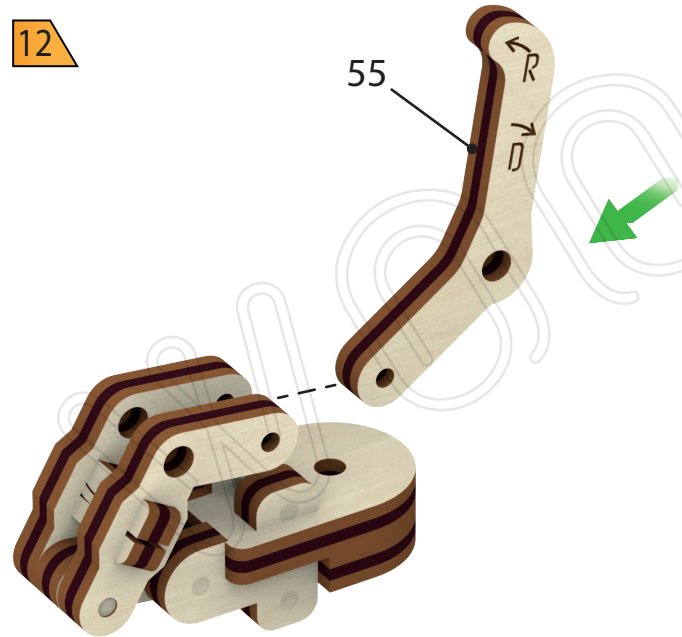
10



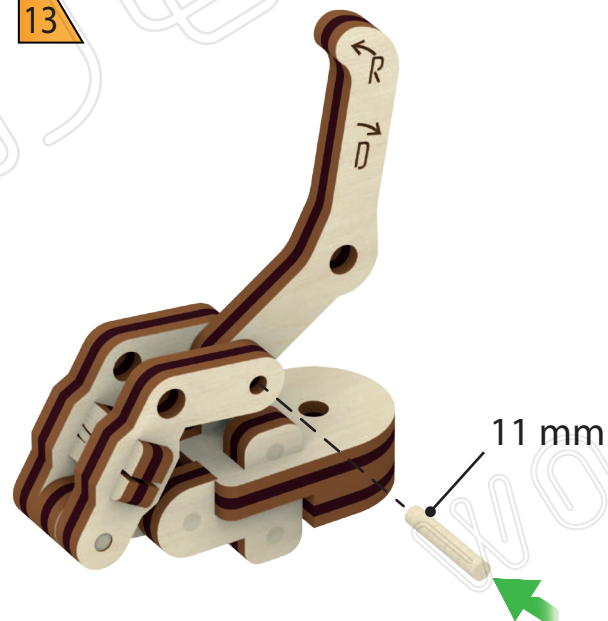
11



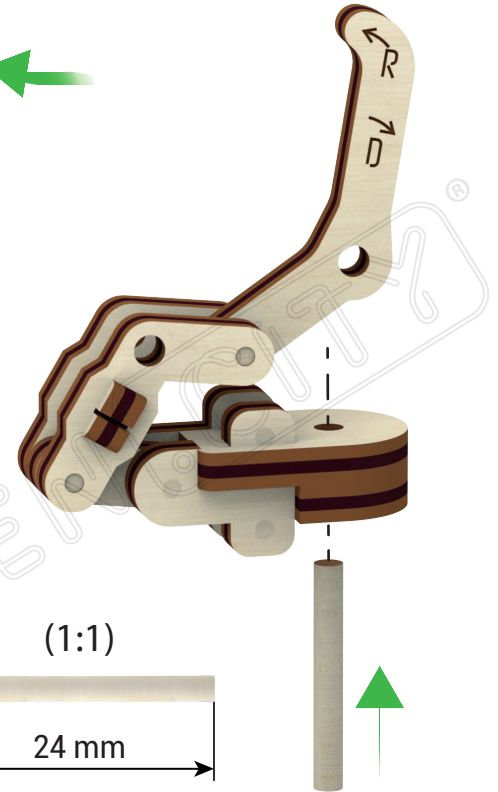
12



13

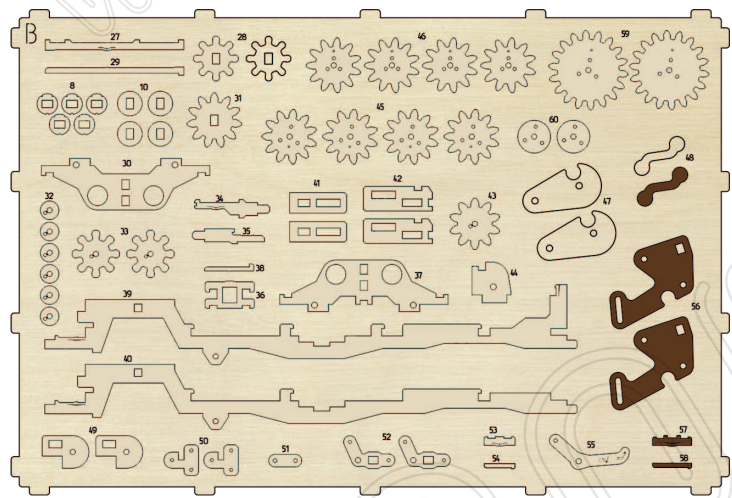
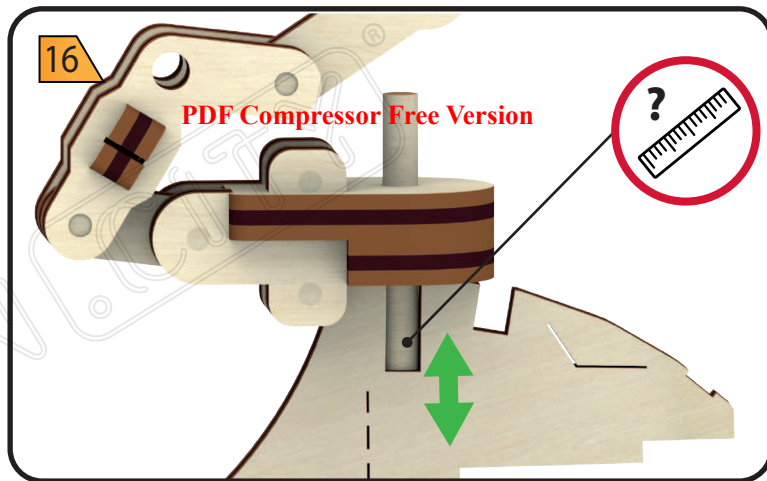
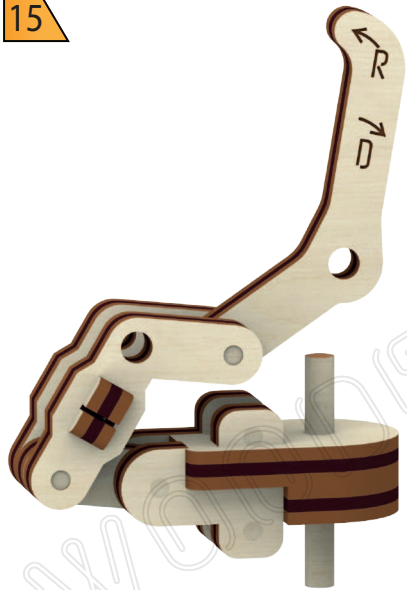


14

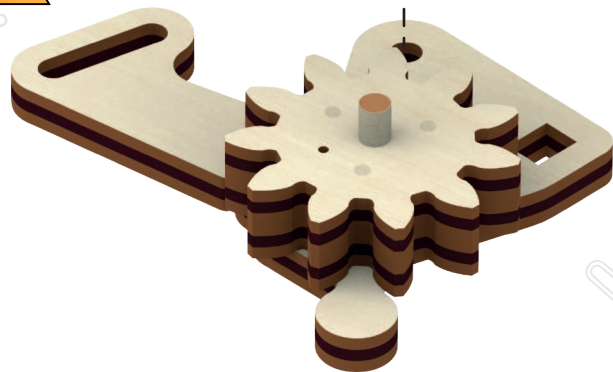




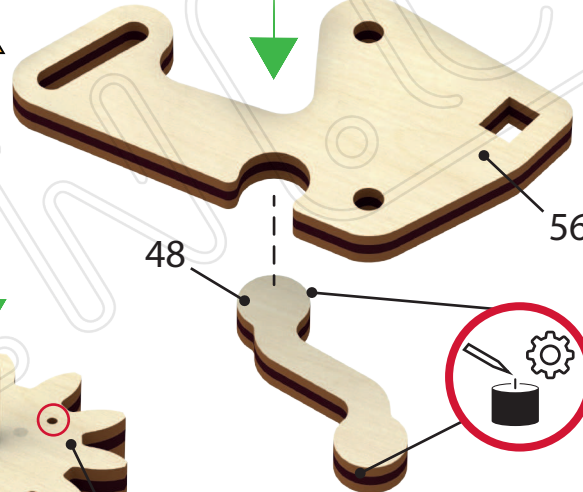
15



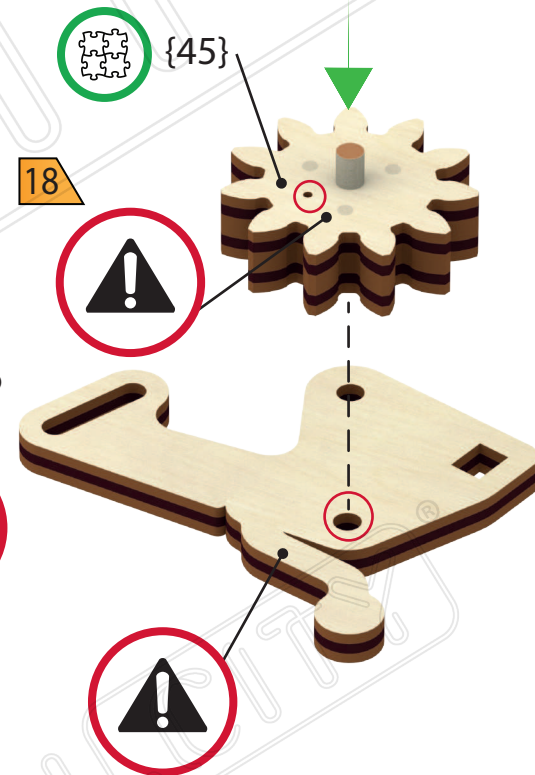
19



17



18



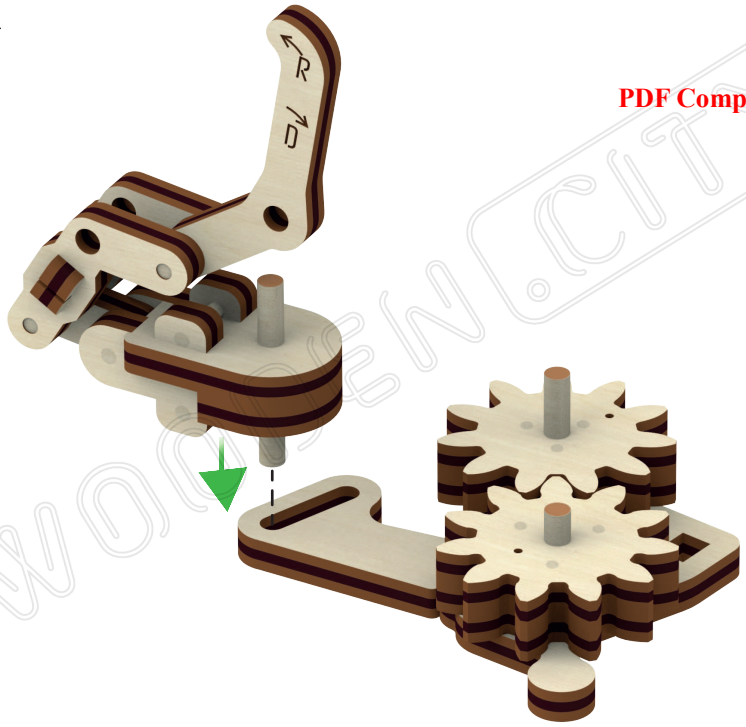
{46}



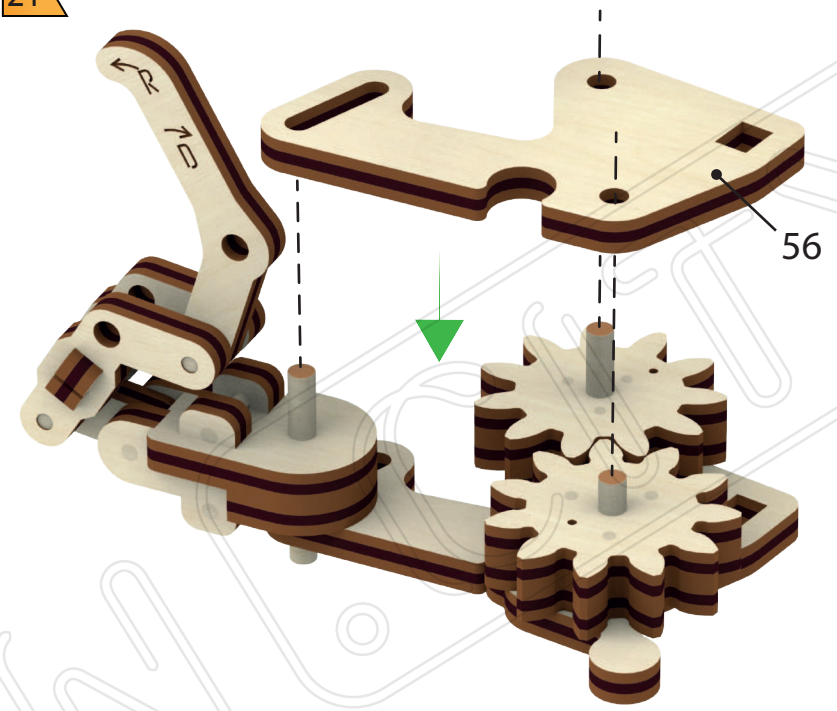
46



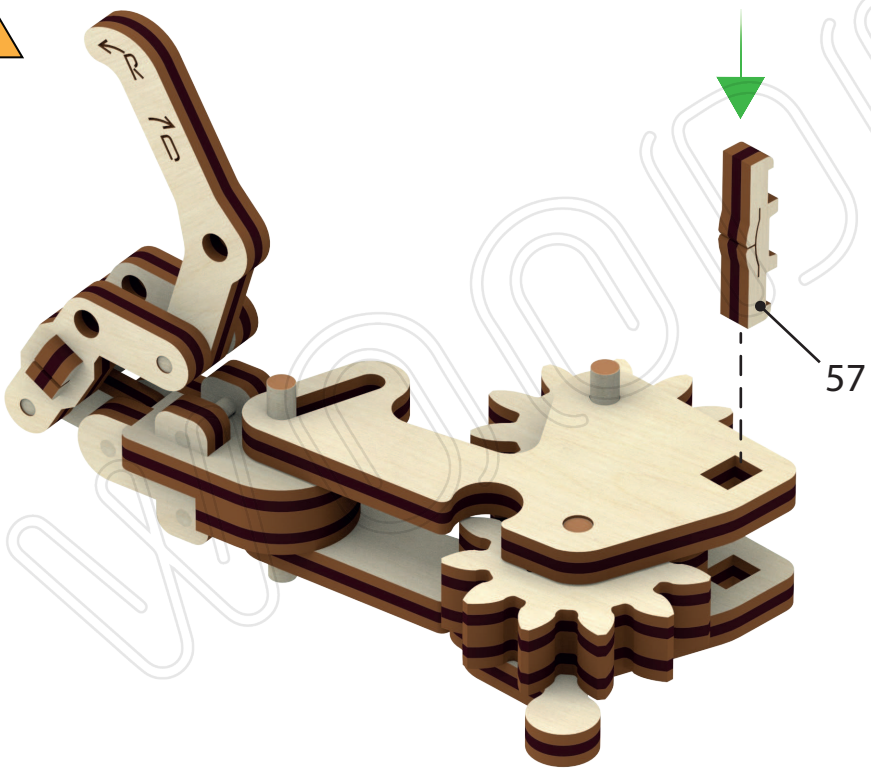
20



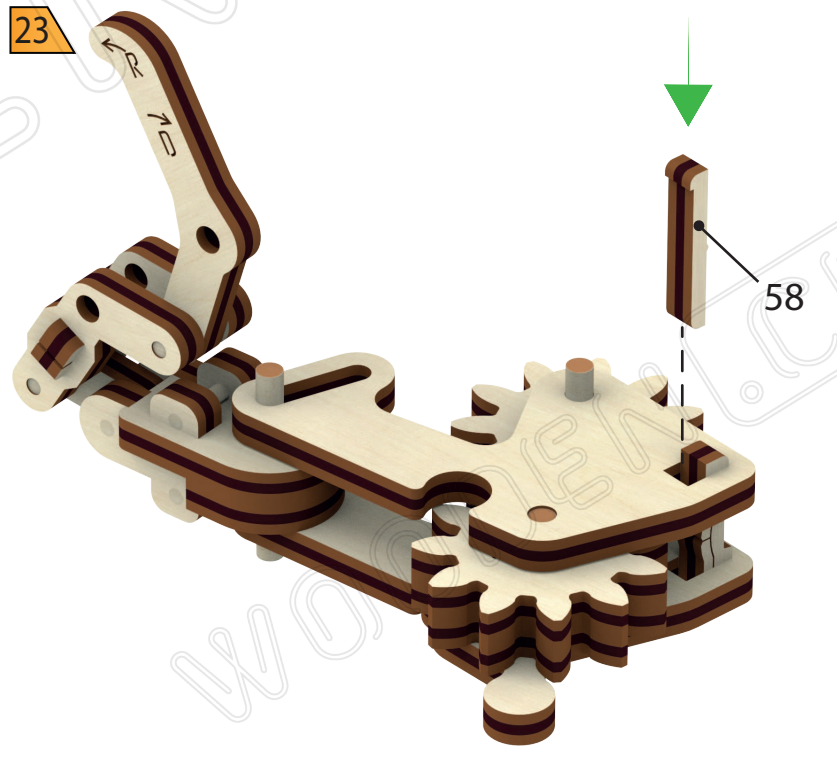
21



22



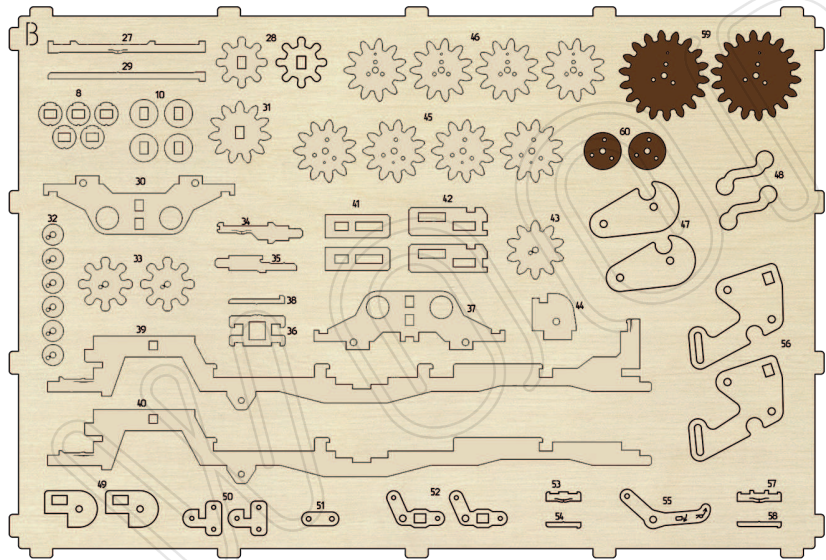
23



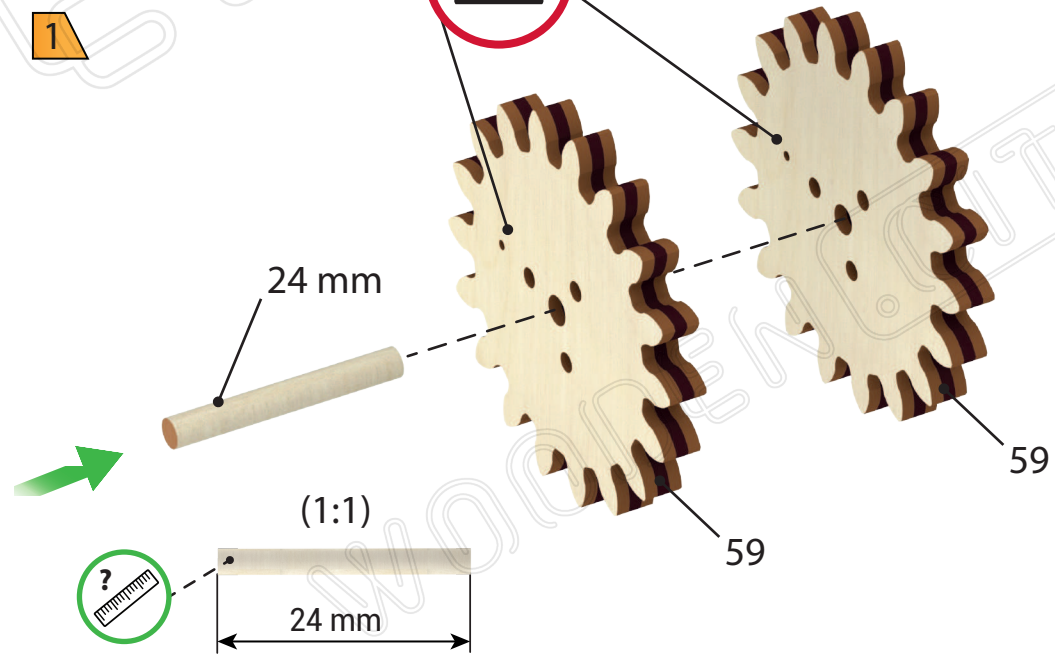
PDF Compressor Free Version



PDF Compressor Free Version

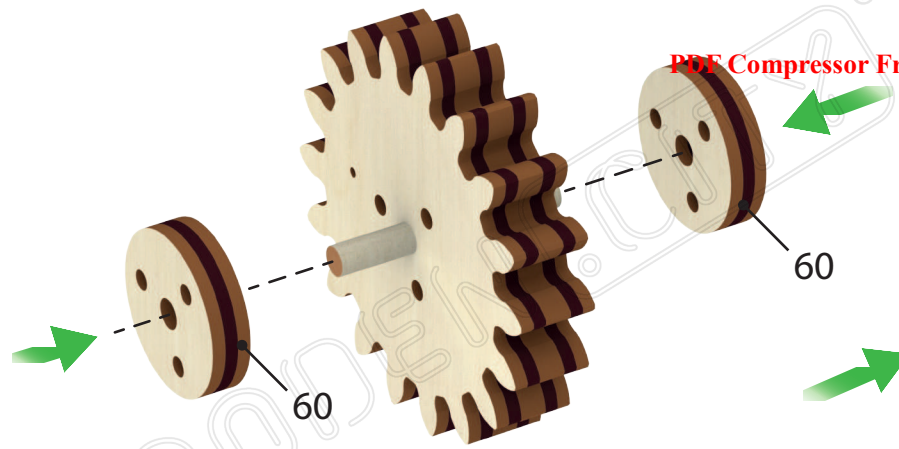


1

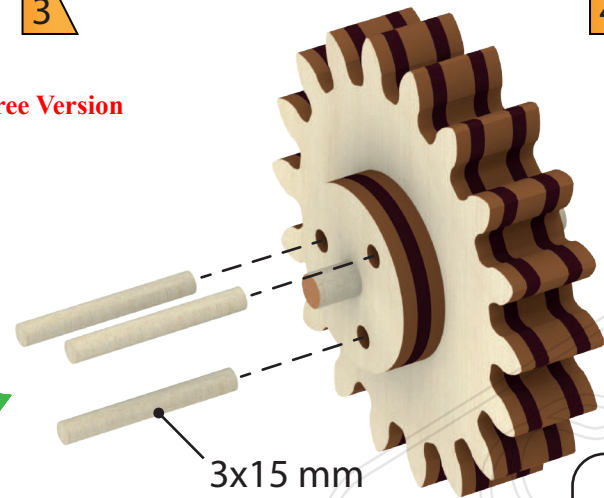




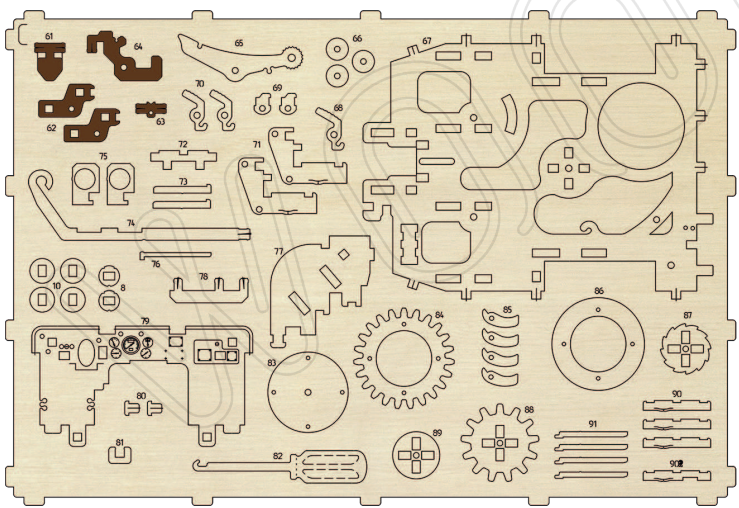
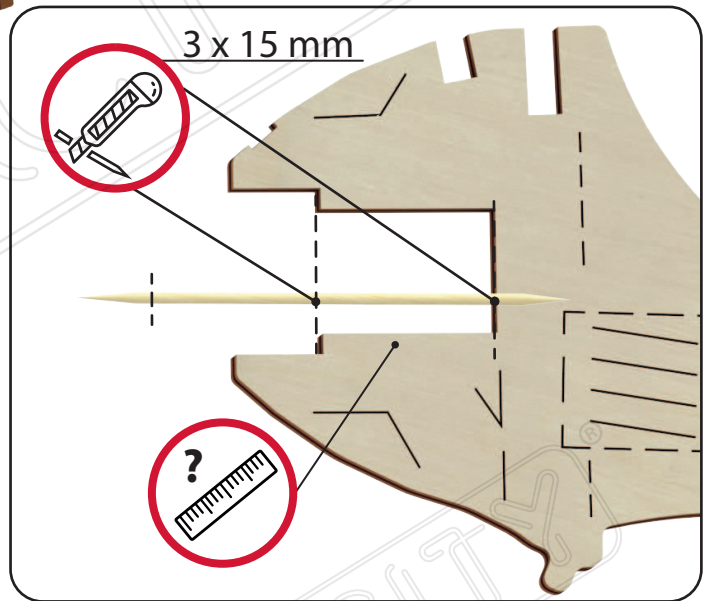
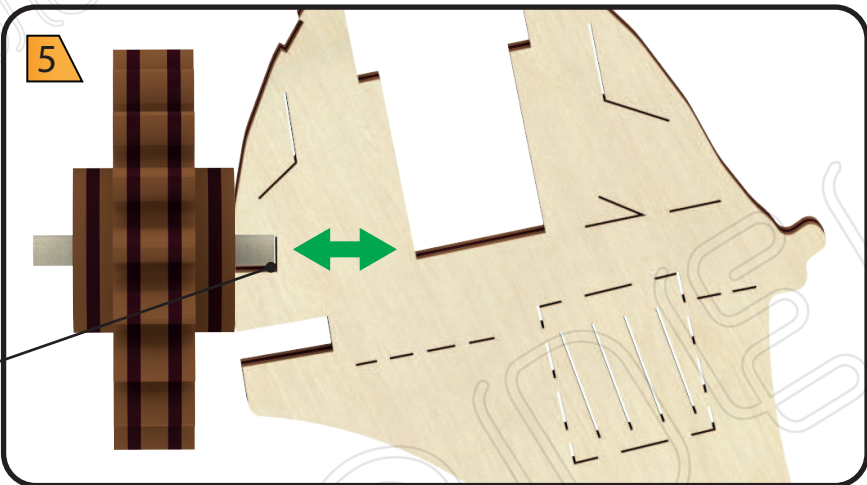
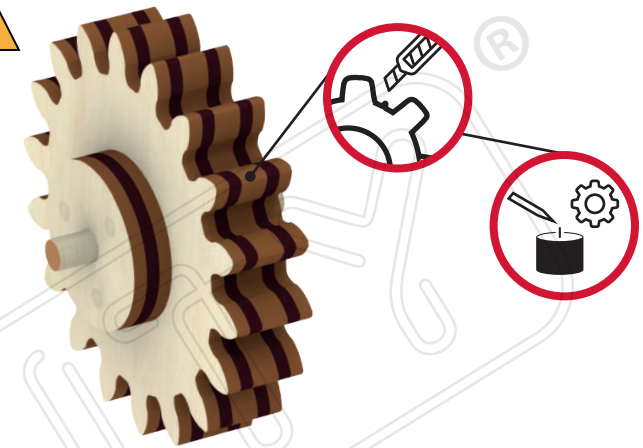
2



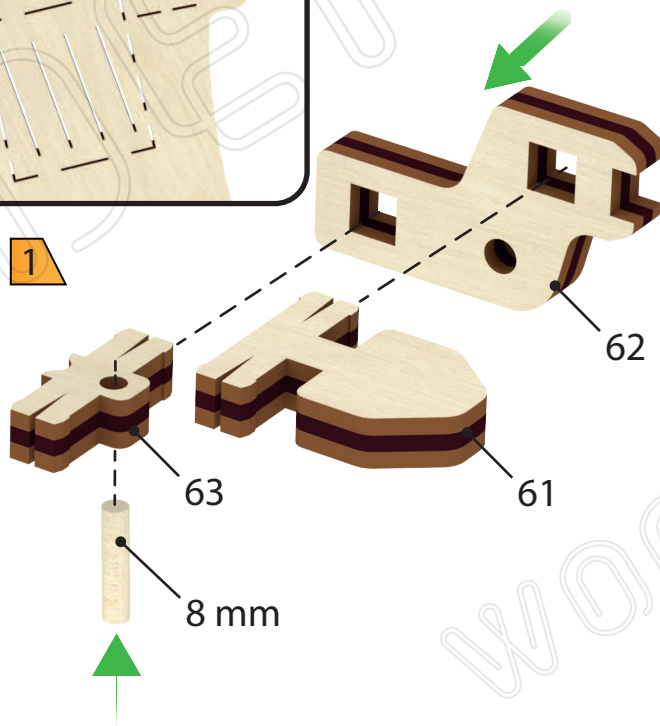
3



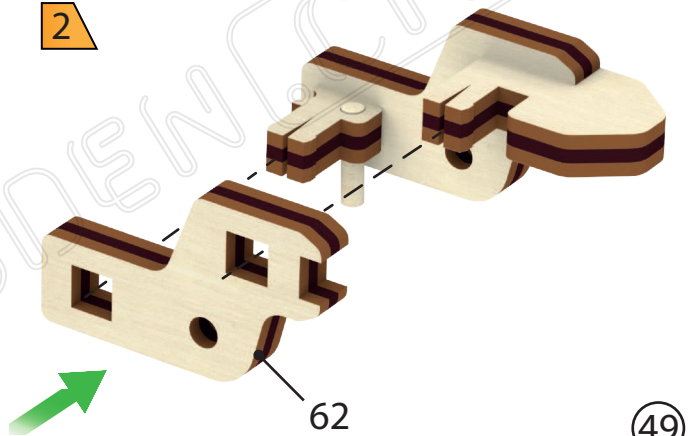
4



1

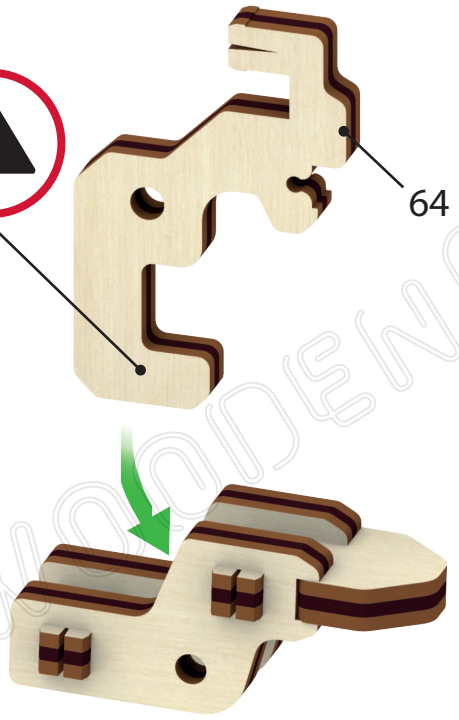


2





3

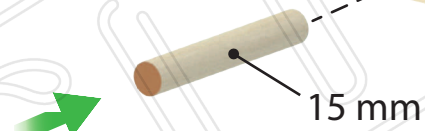


4

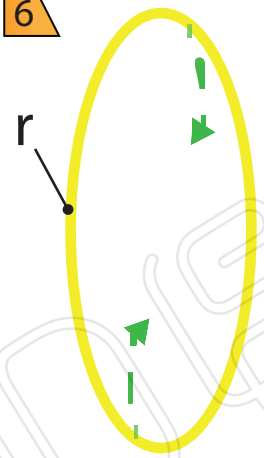
PDF Compressor Free Version



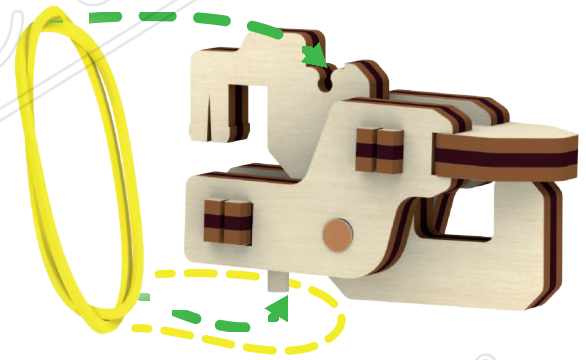
5



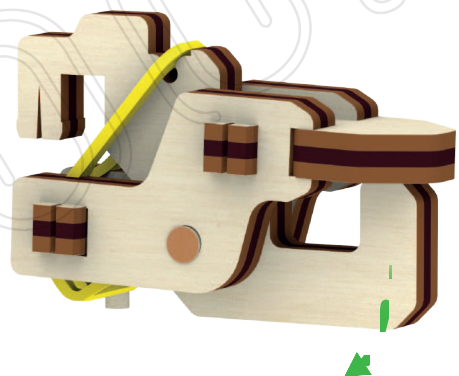
6



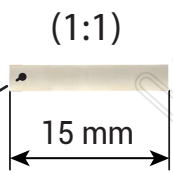
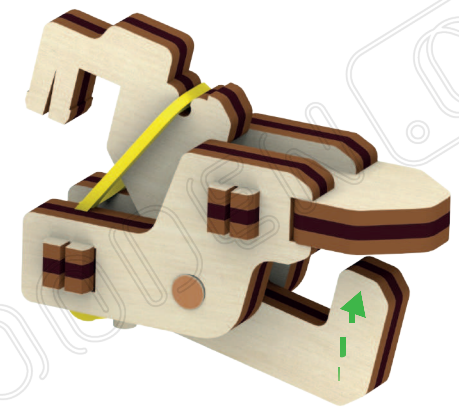
7



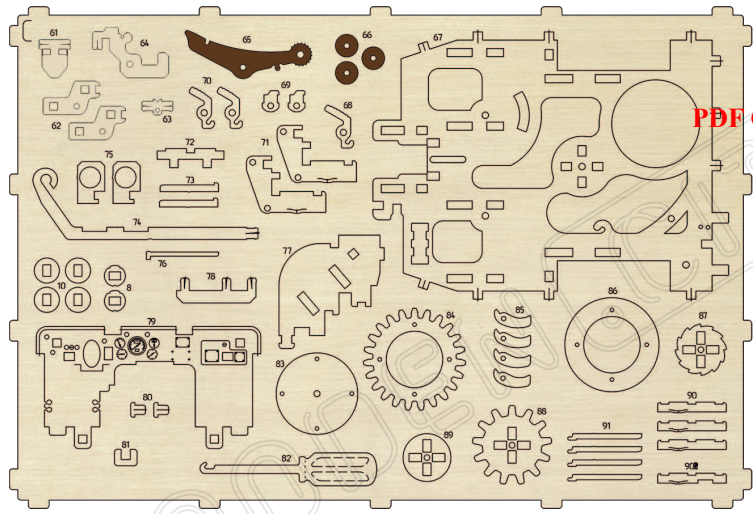
8



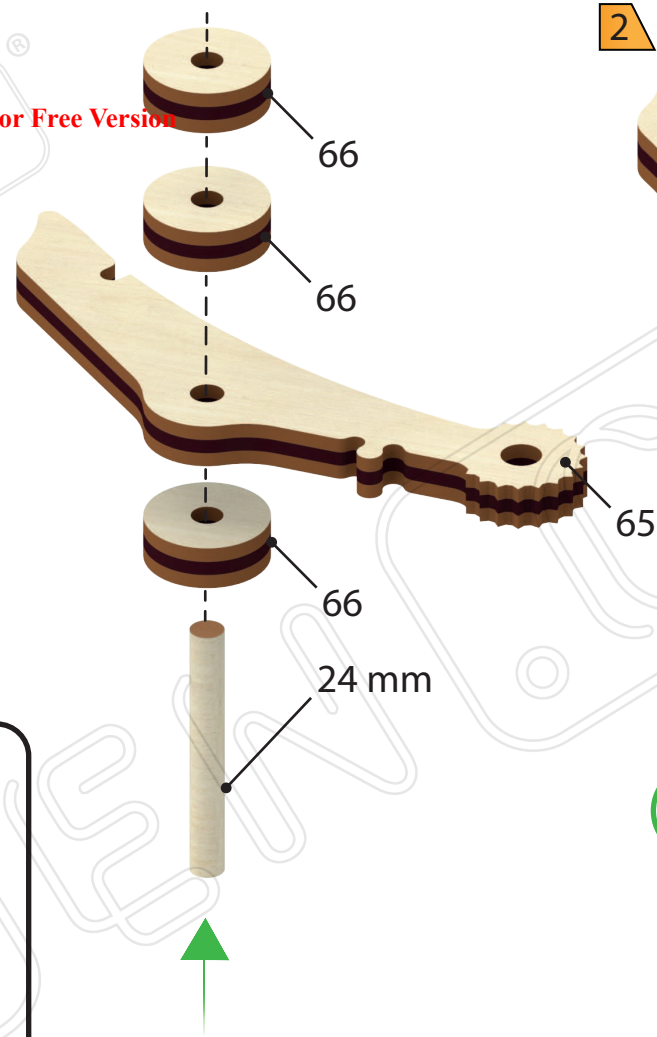
9



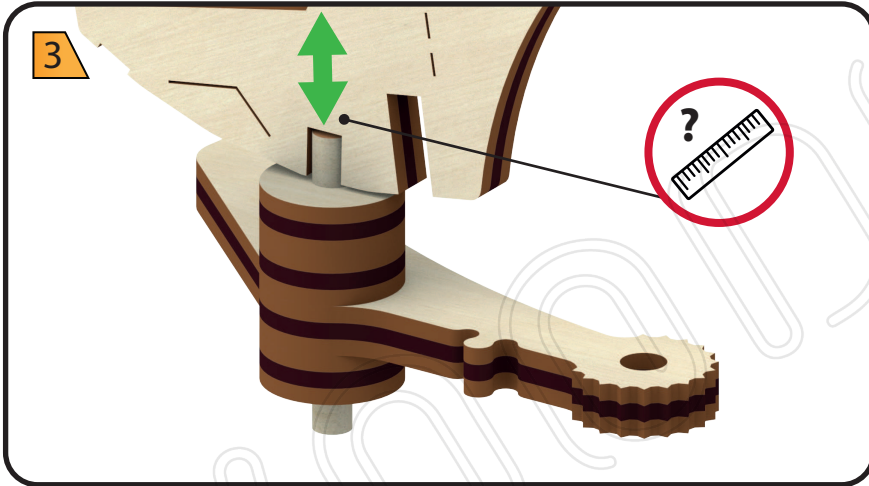
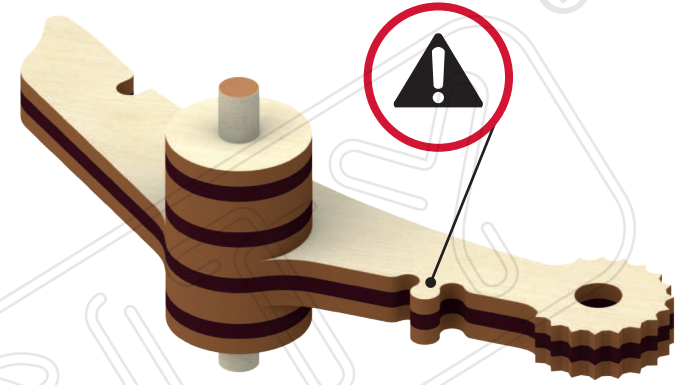




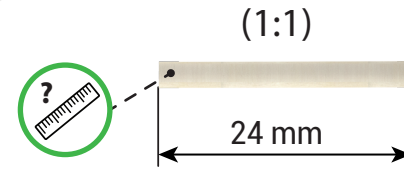
1



2



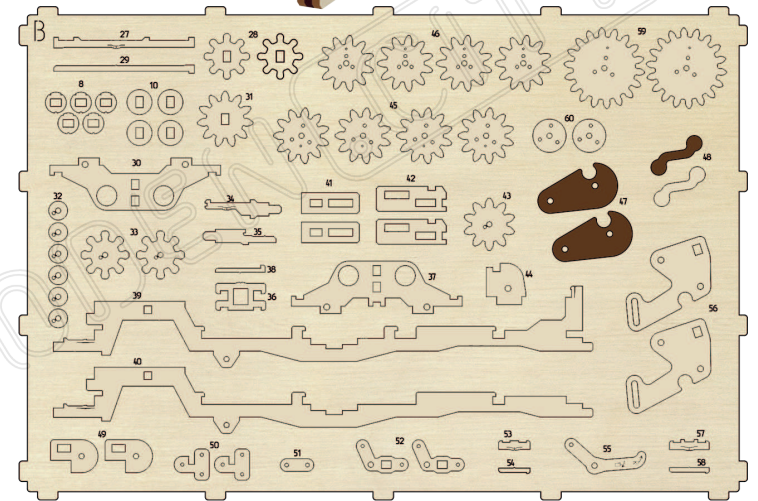
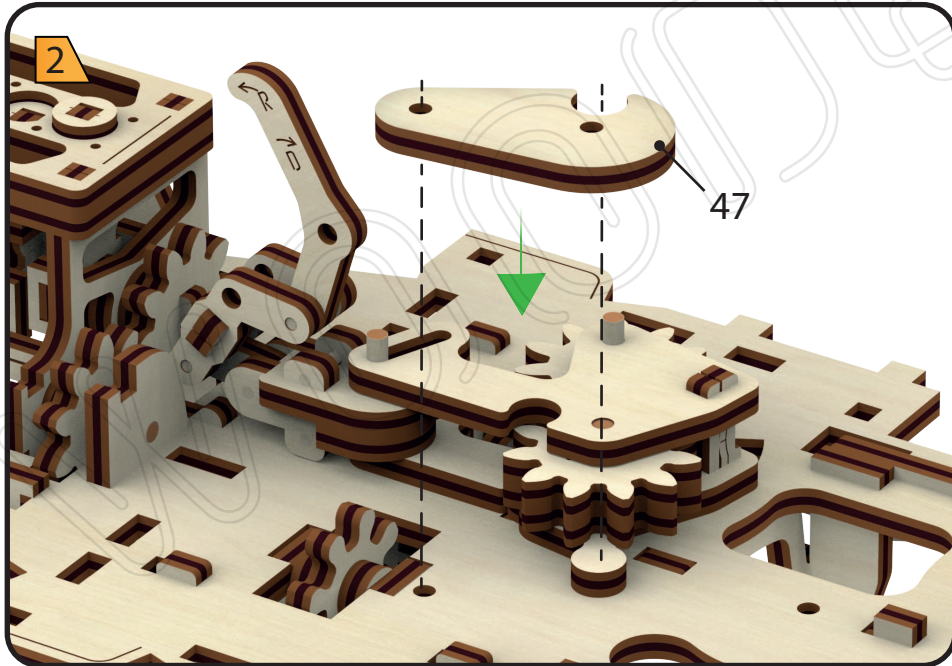
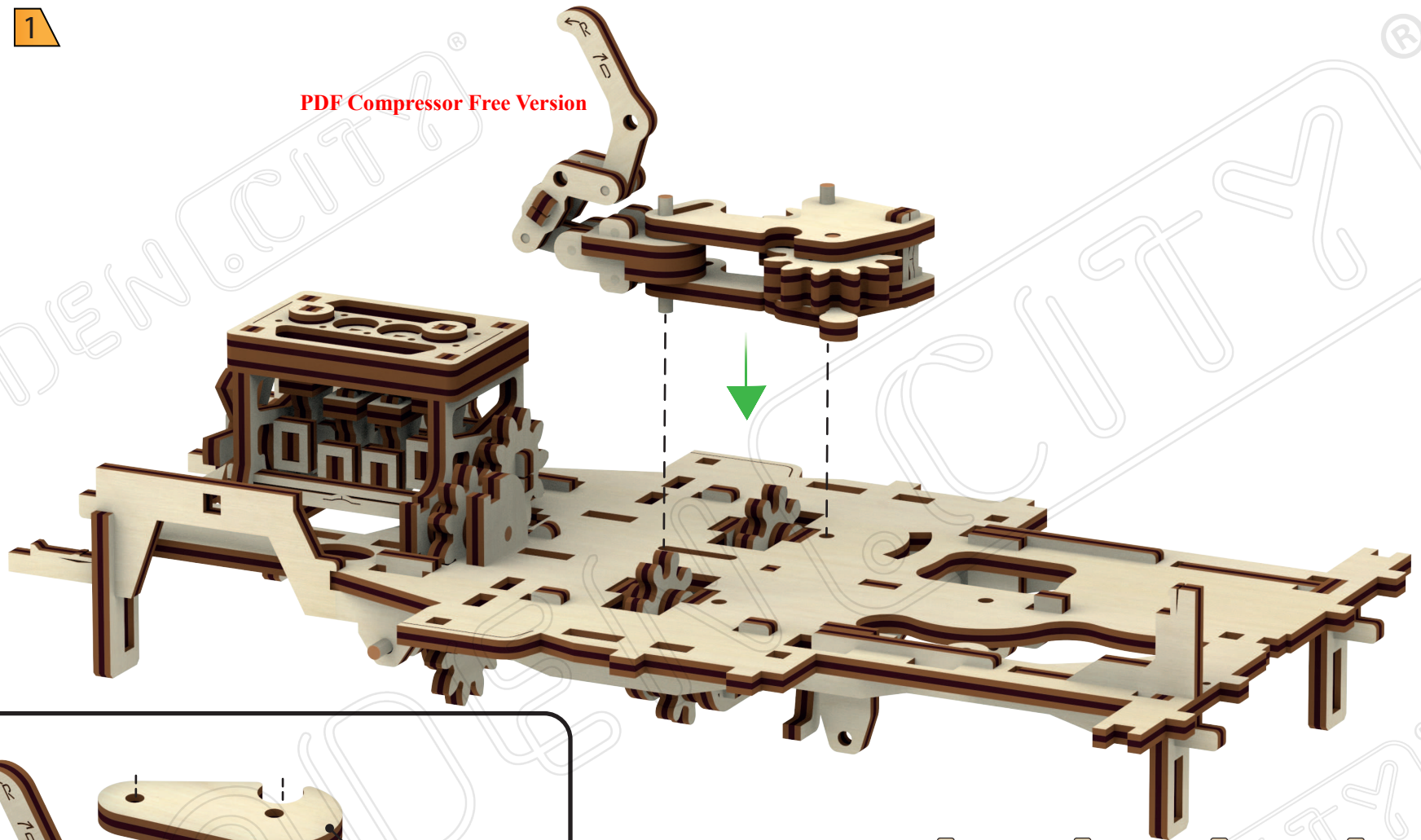
3



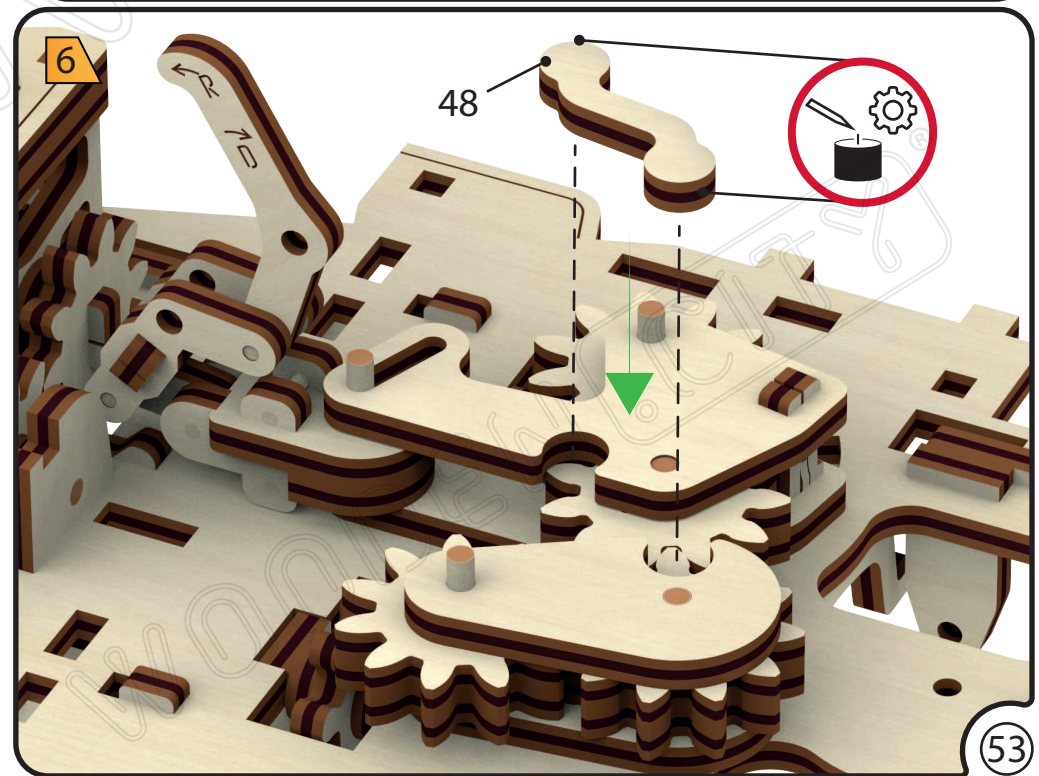
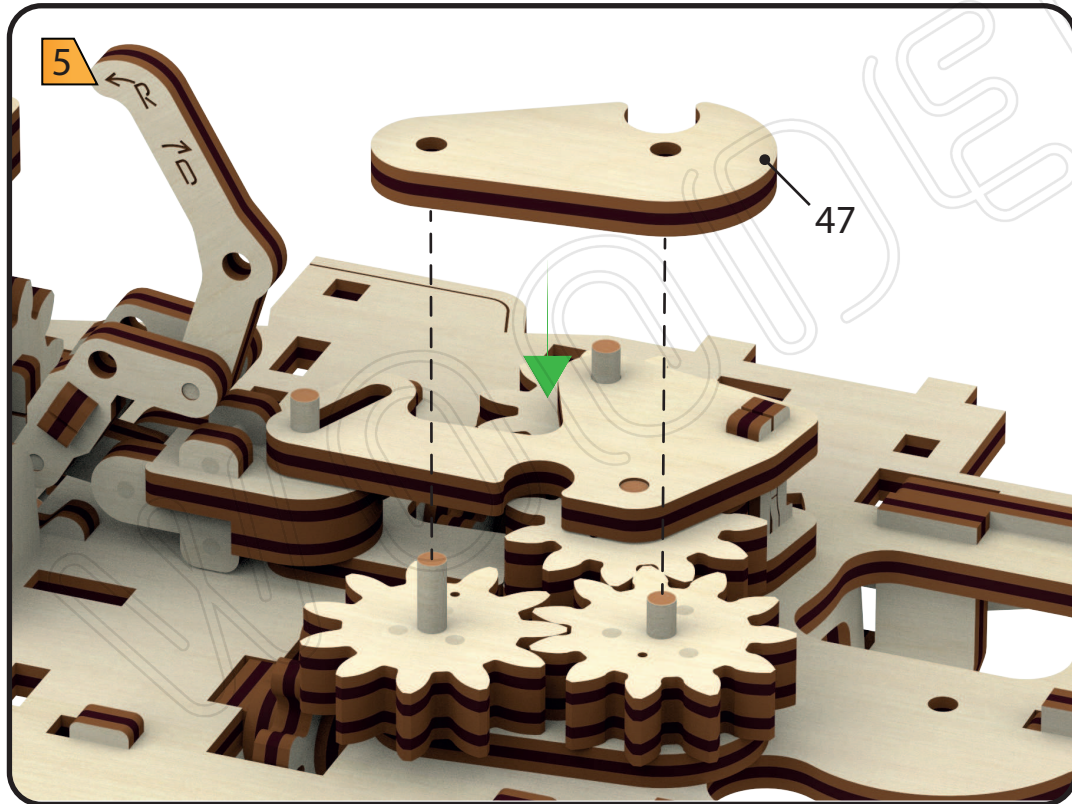
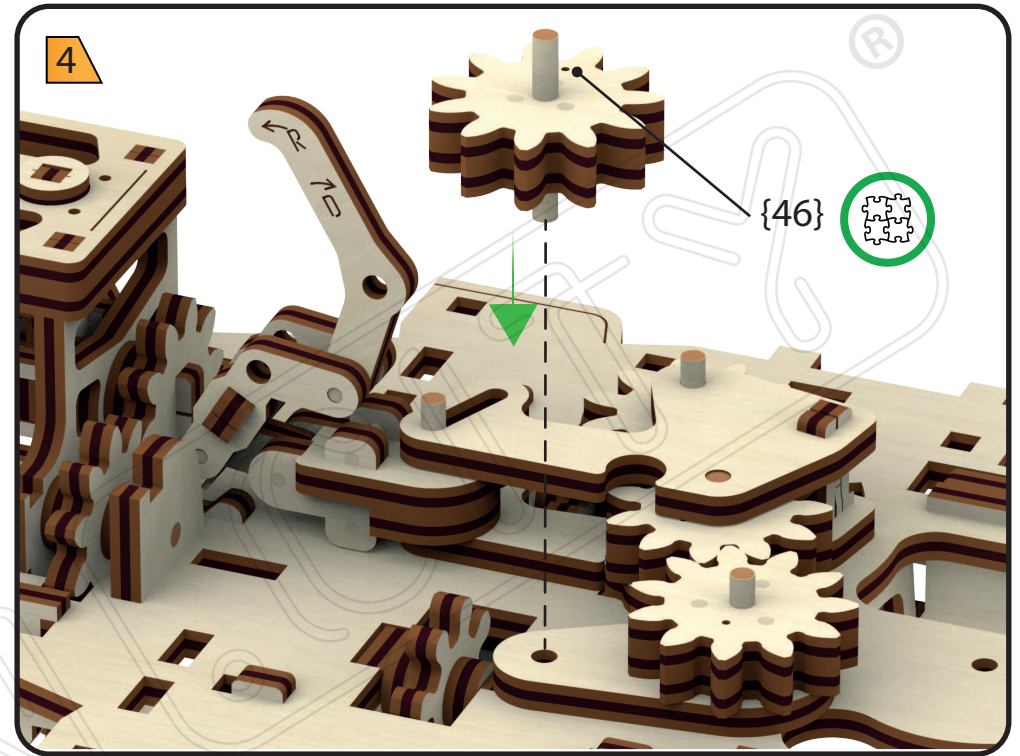
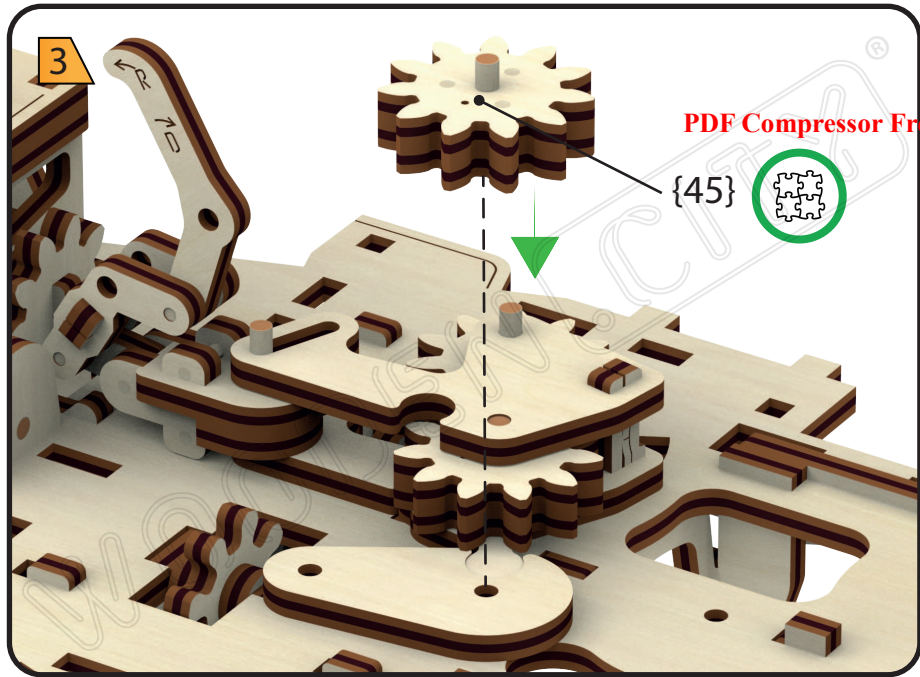


1

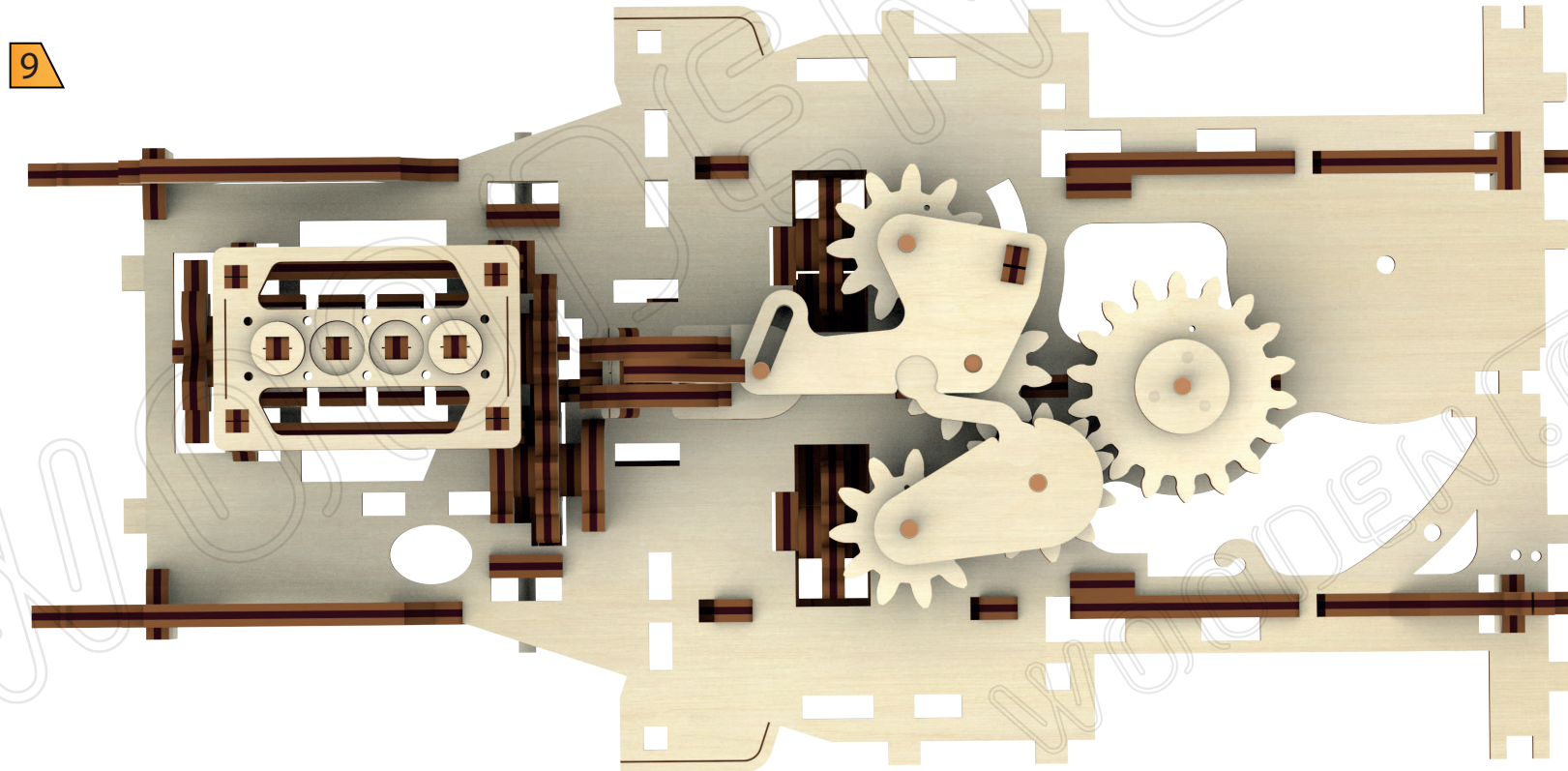
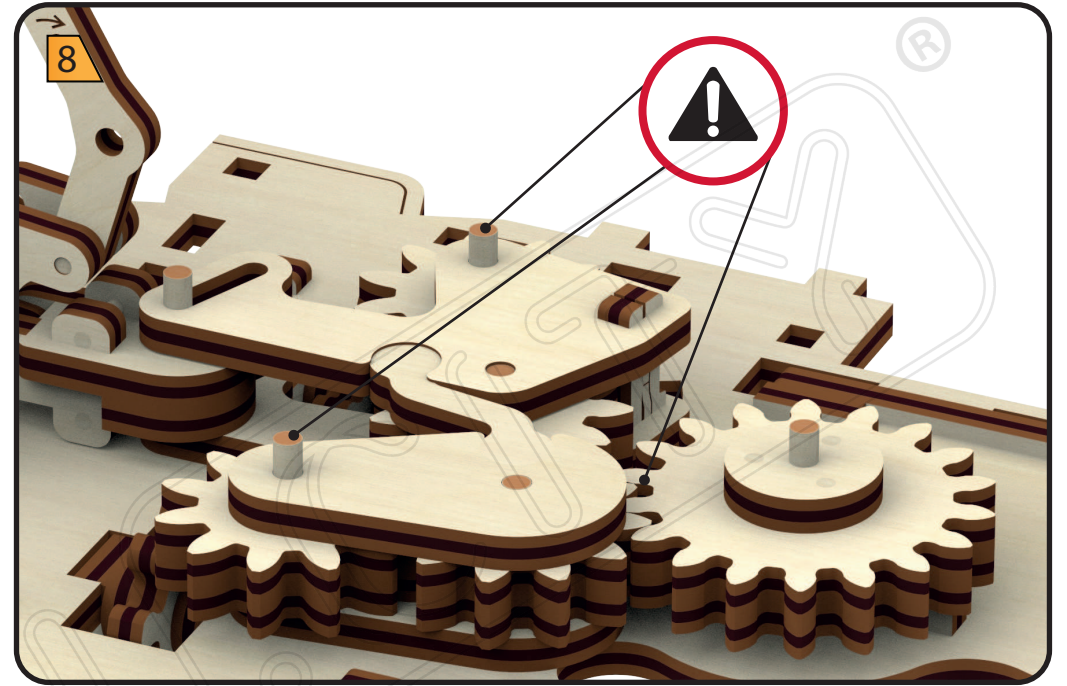
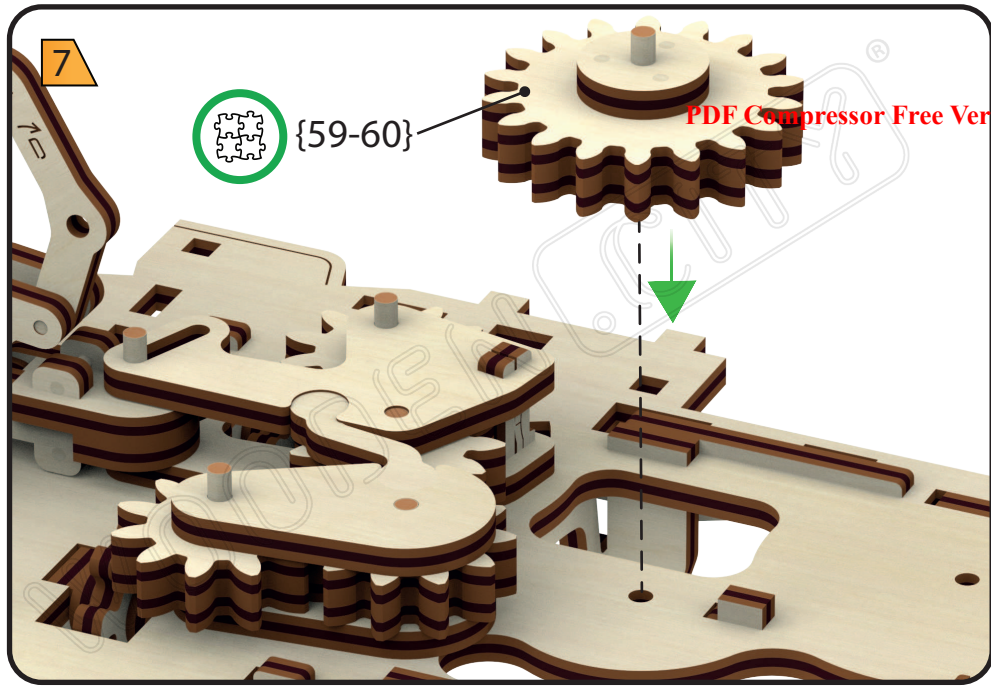
PDF Compressor Free Version



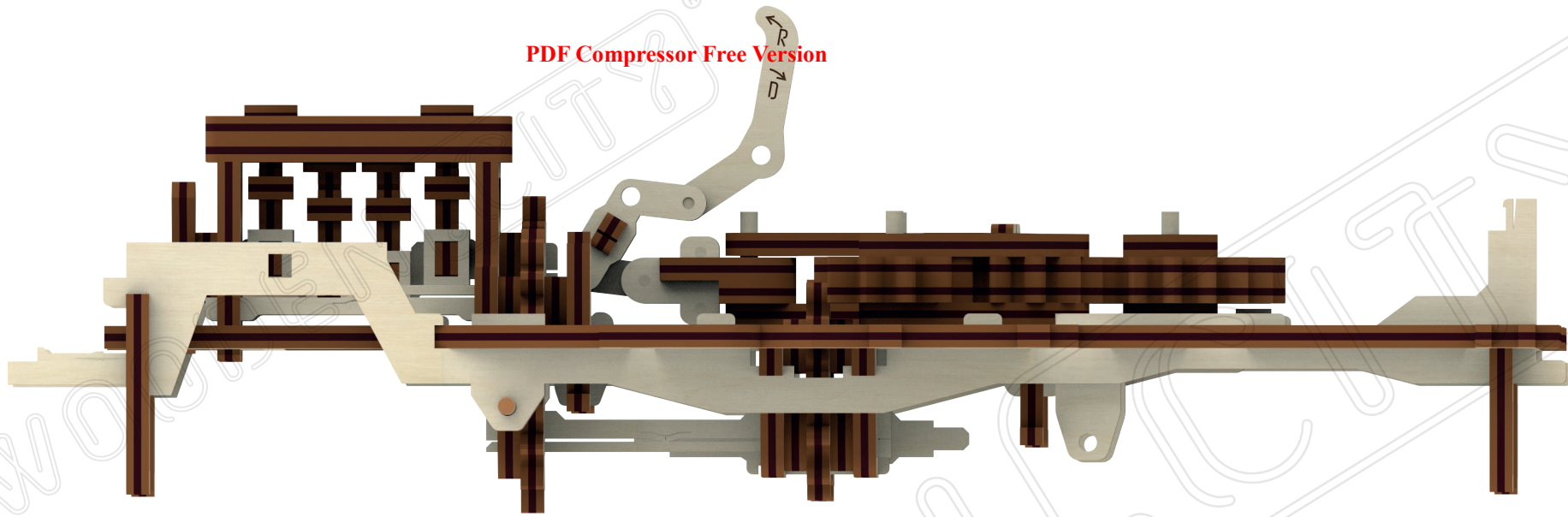




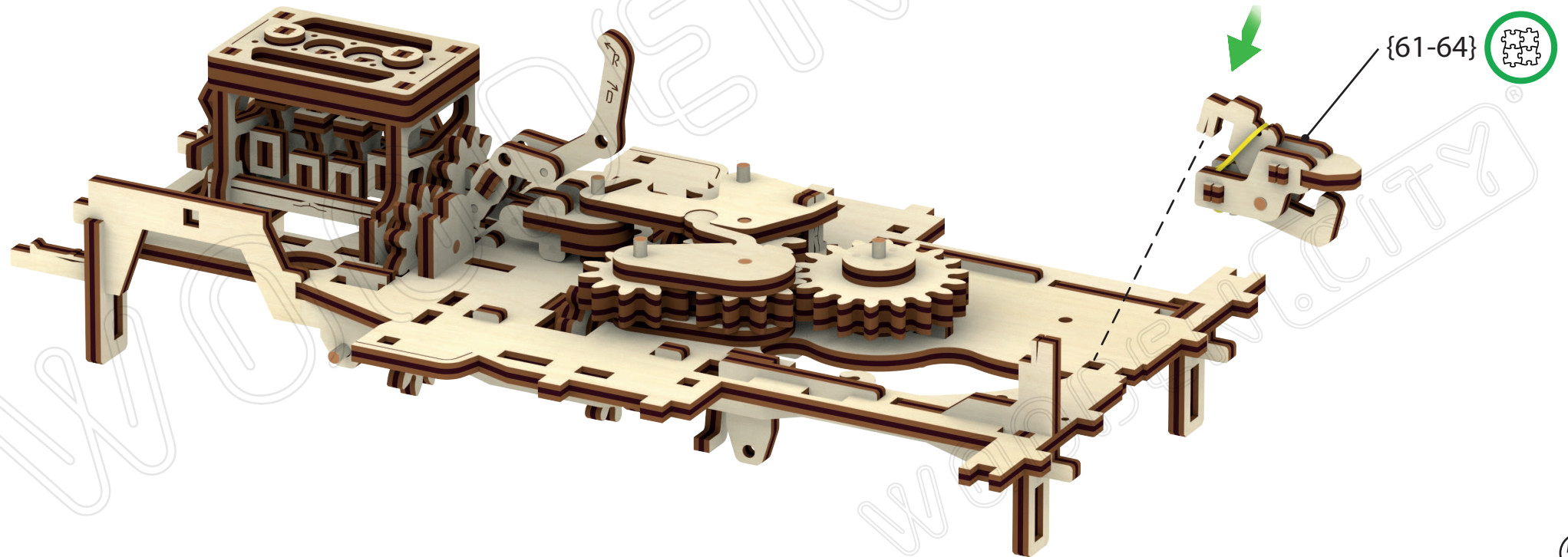




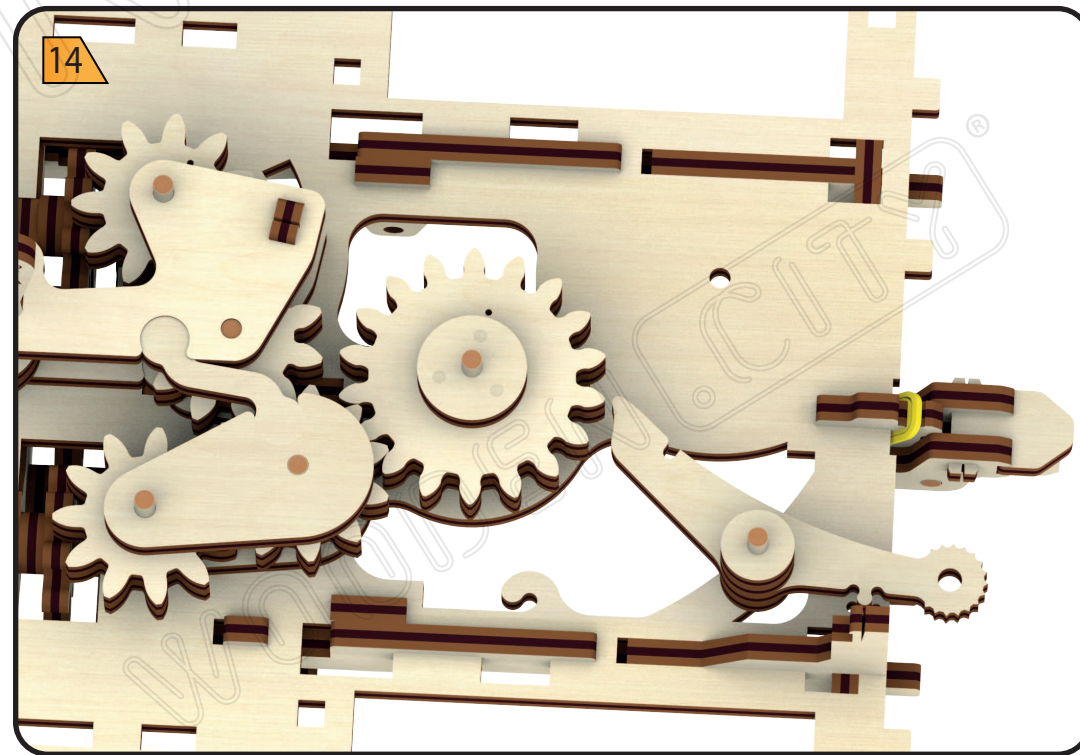
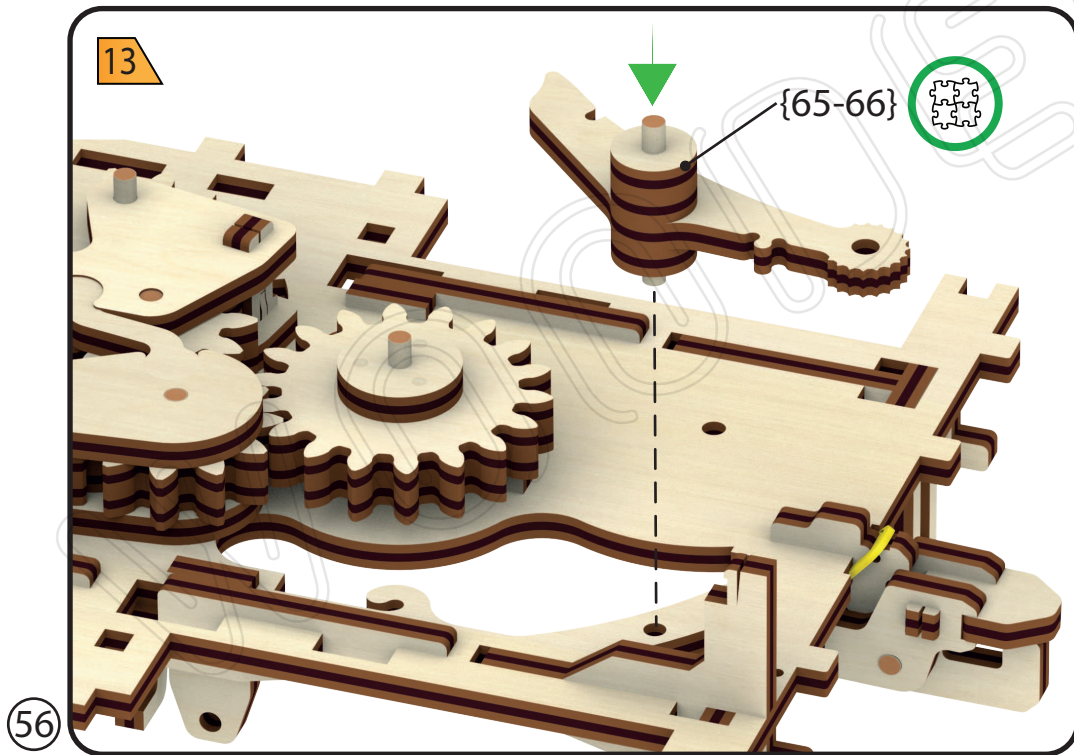
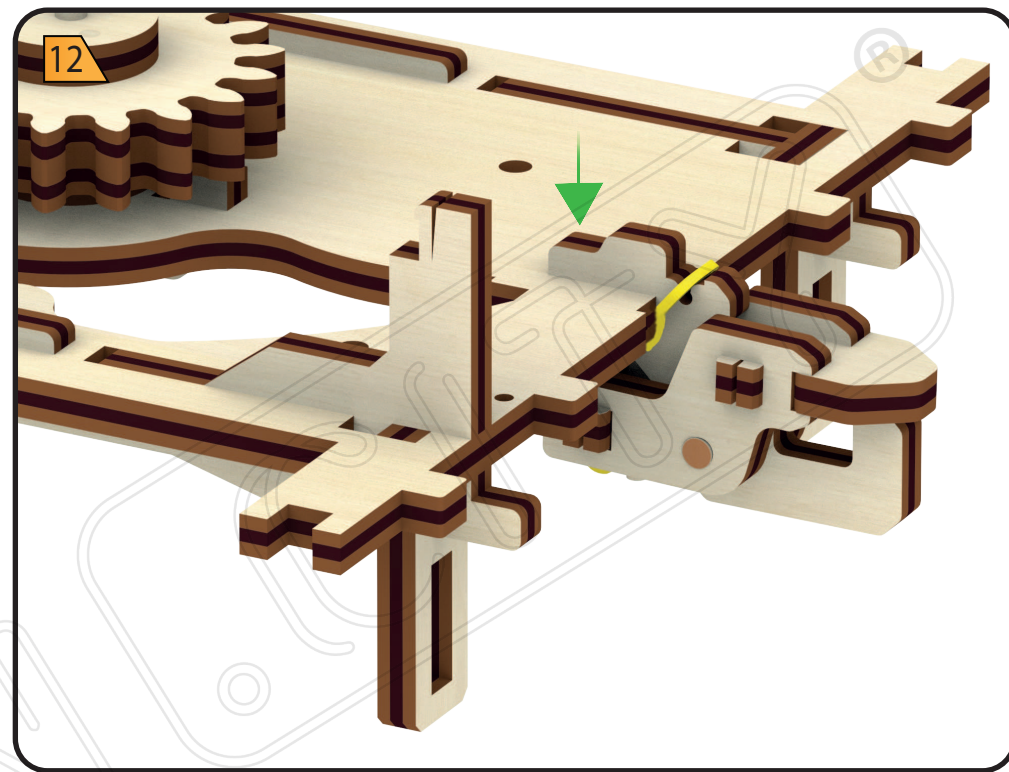
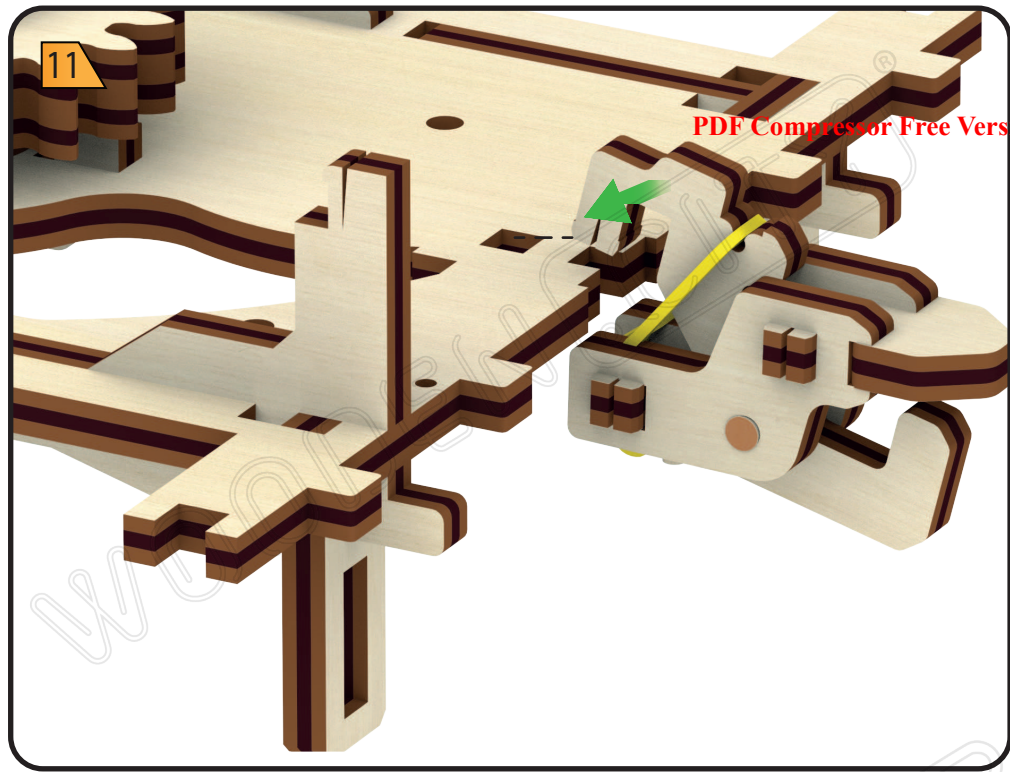
PDF Compressor Free Version



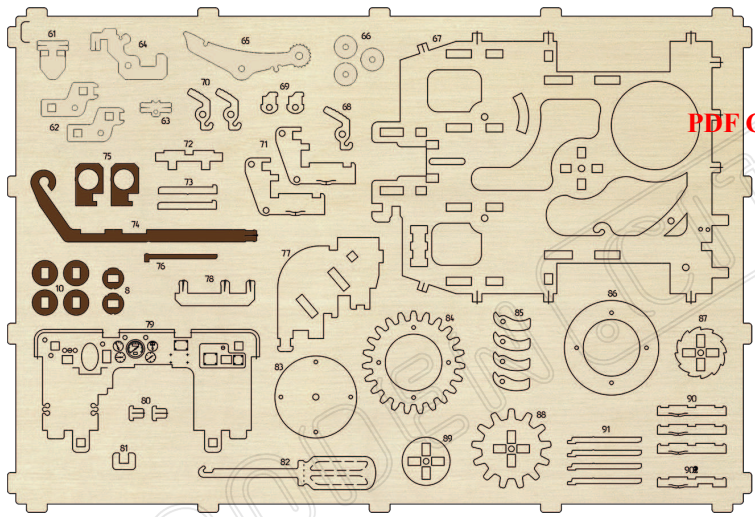
10





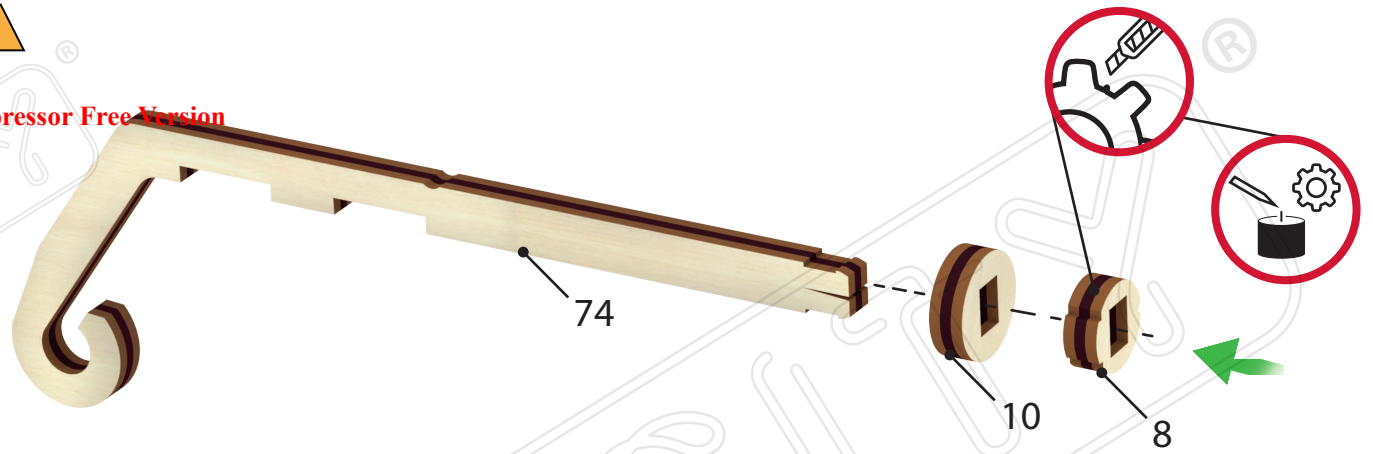






1

PDF Compressor Free Version



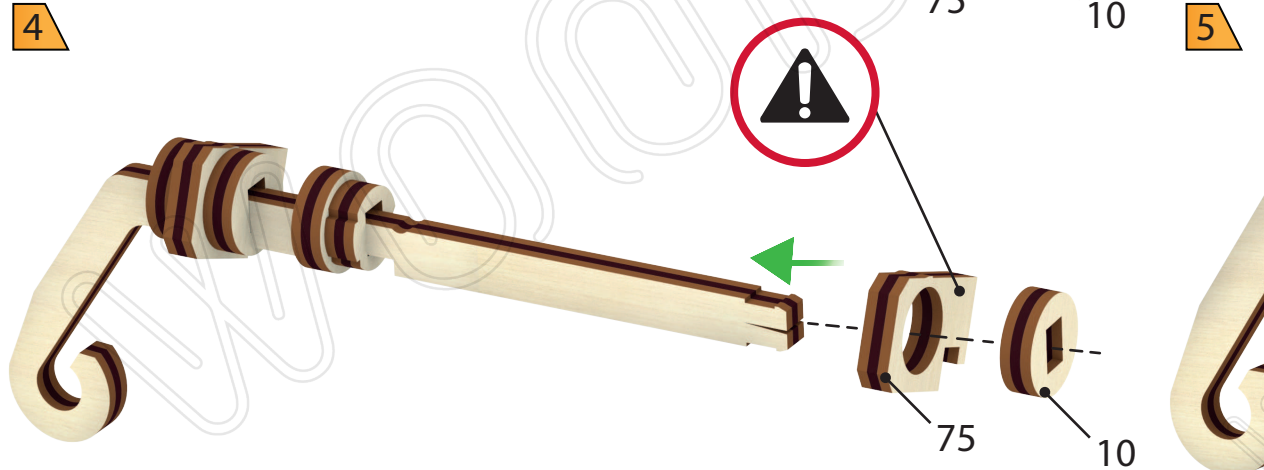
2



3



4

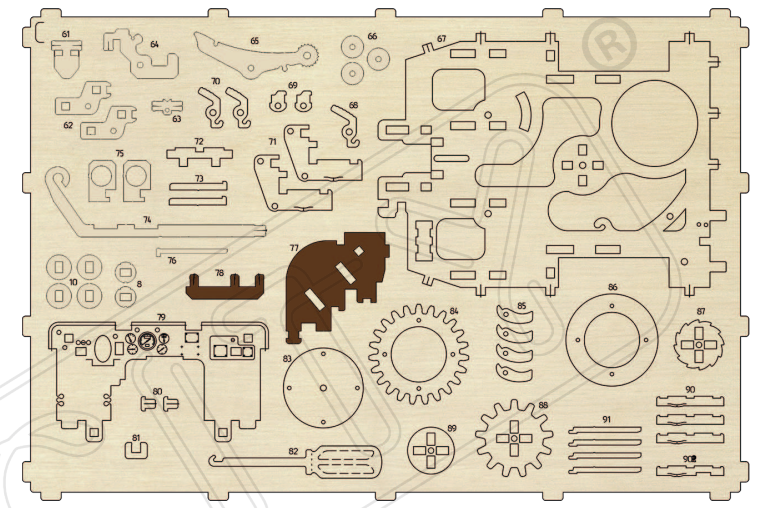


5

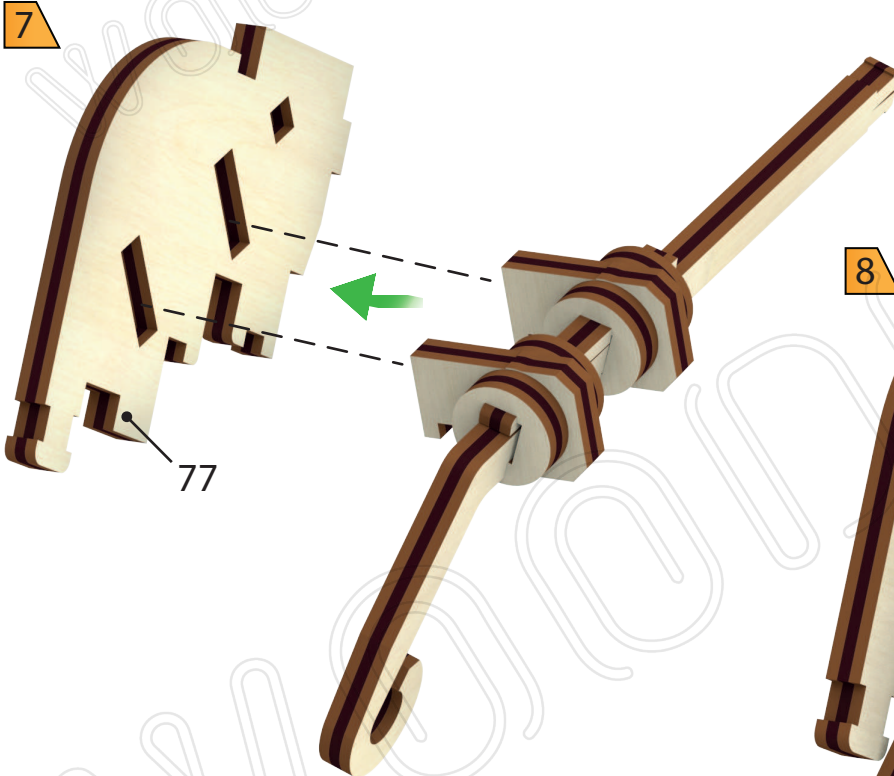




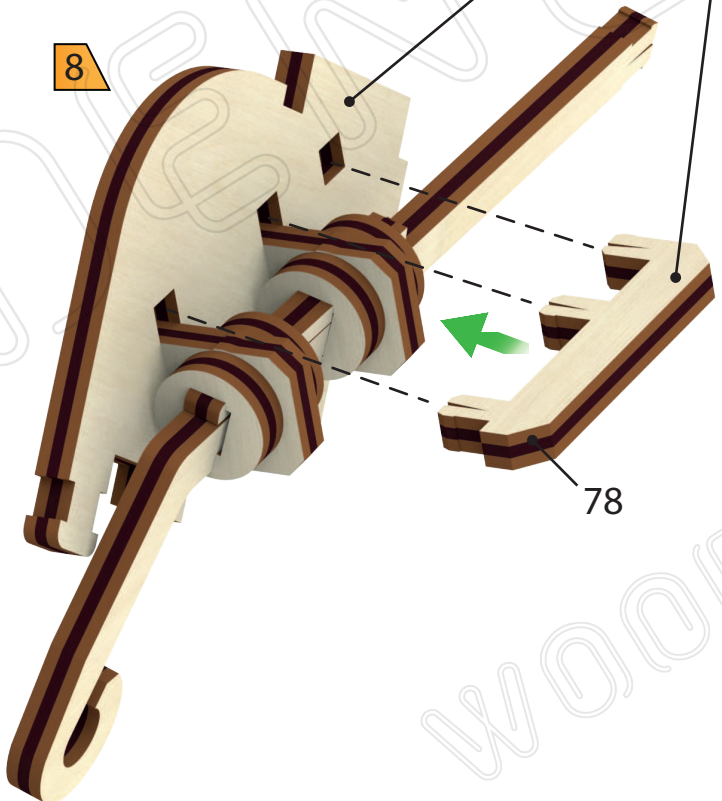
6



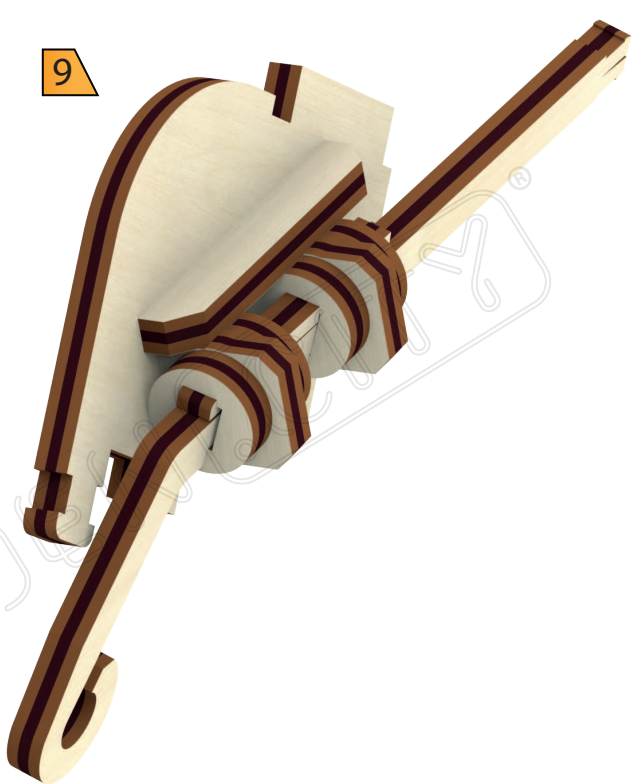
7

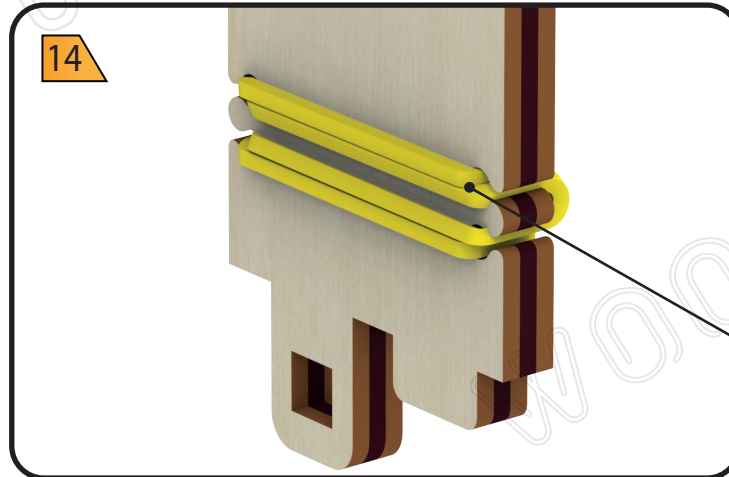
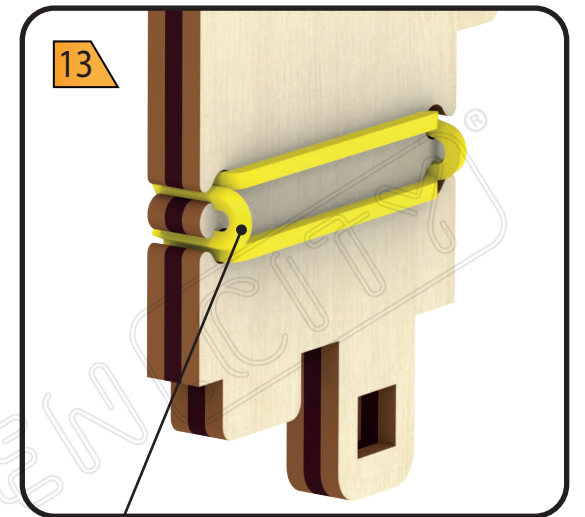
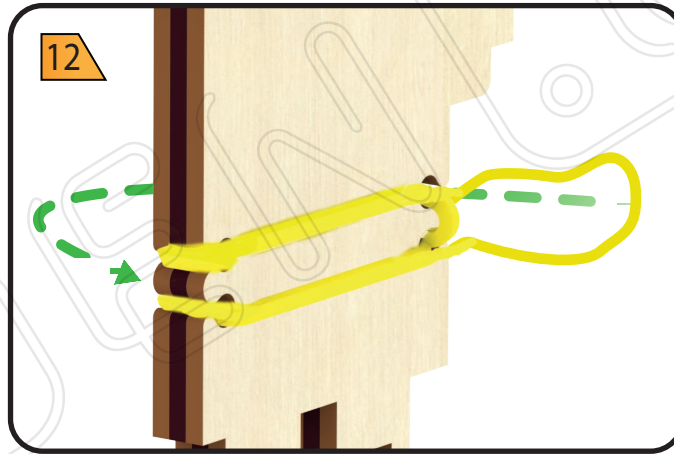
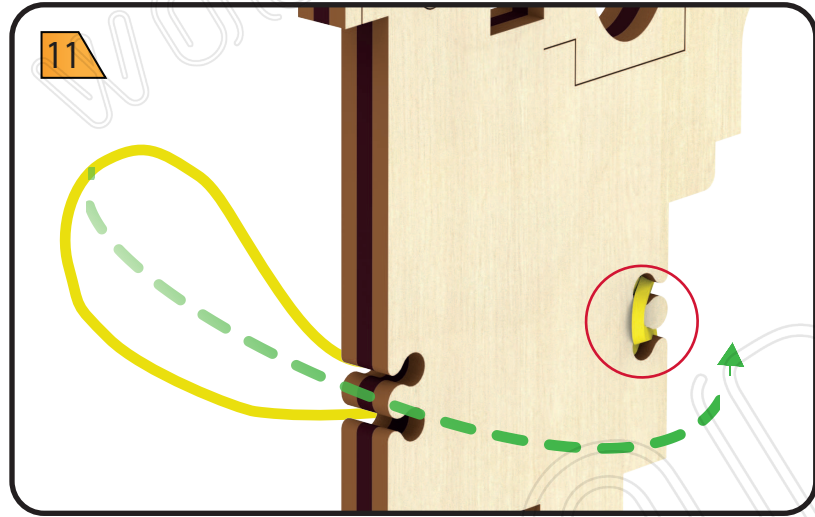
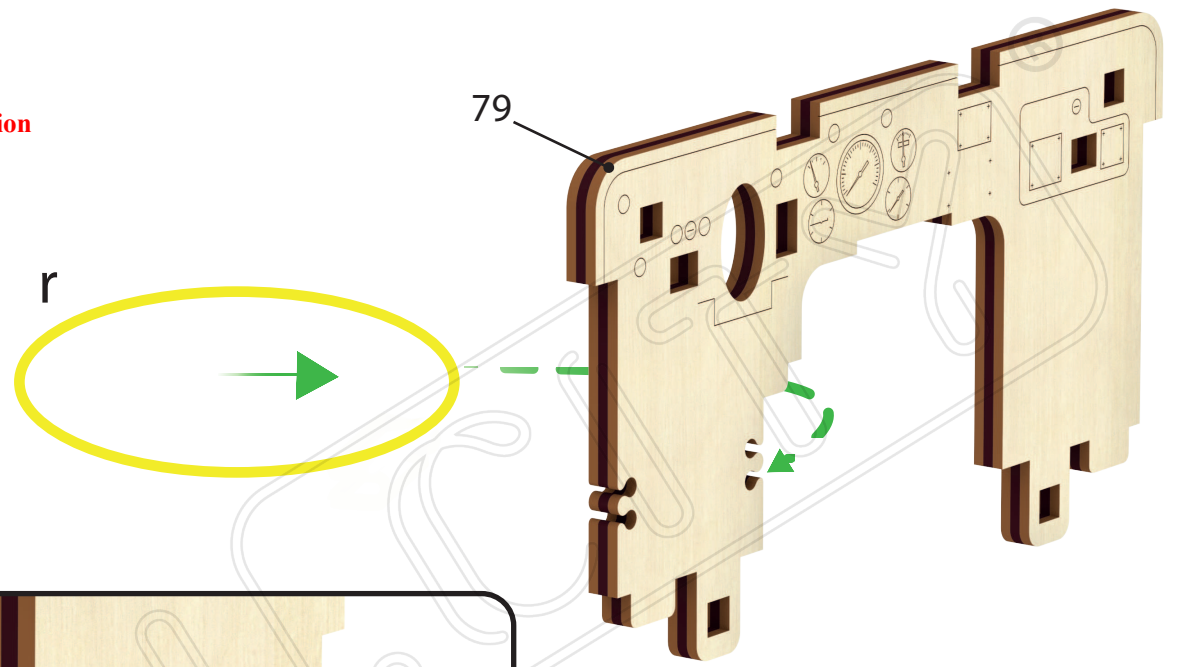
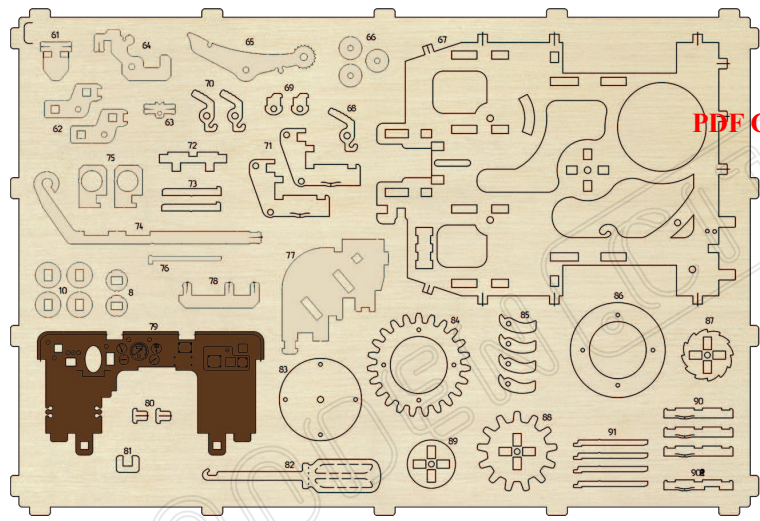


8



9

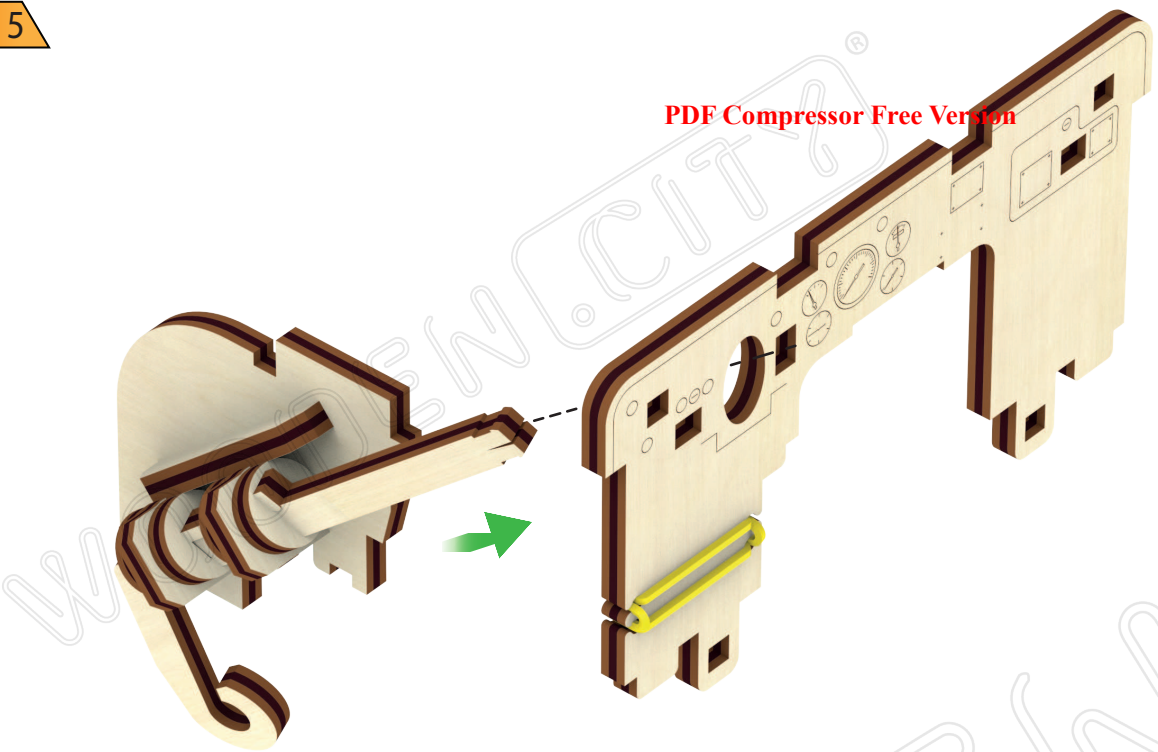




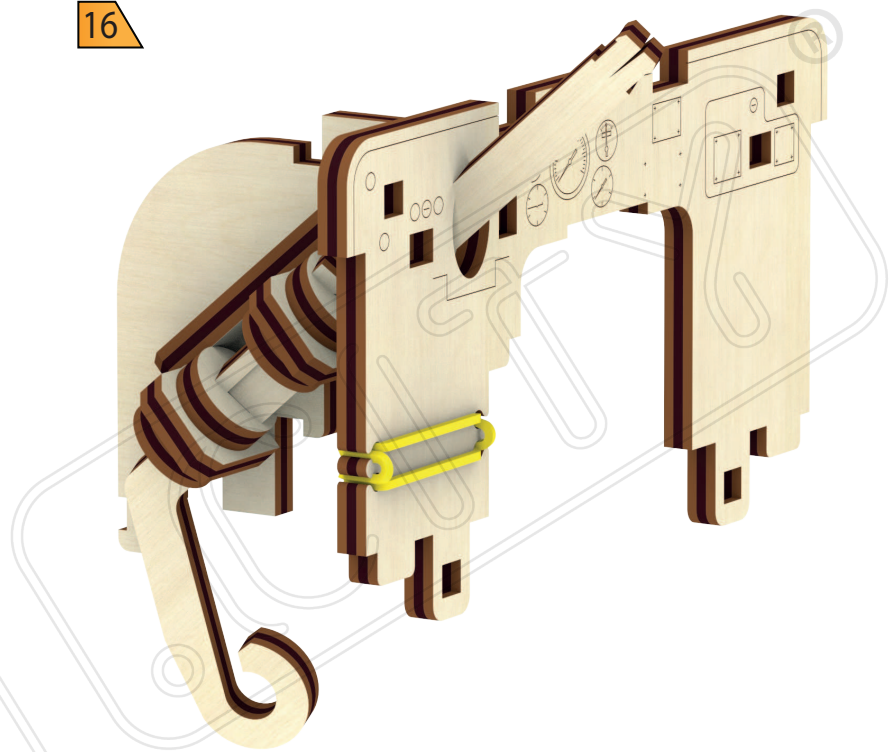


15

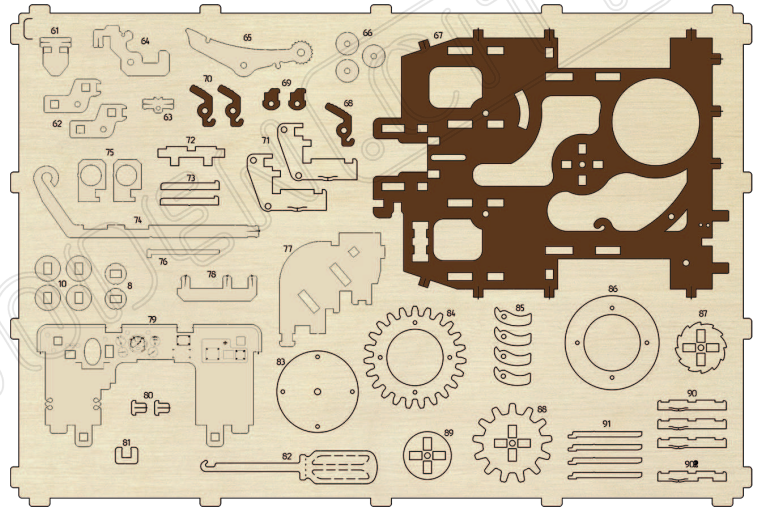
PDF Compressor Free Version



16

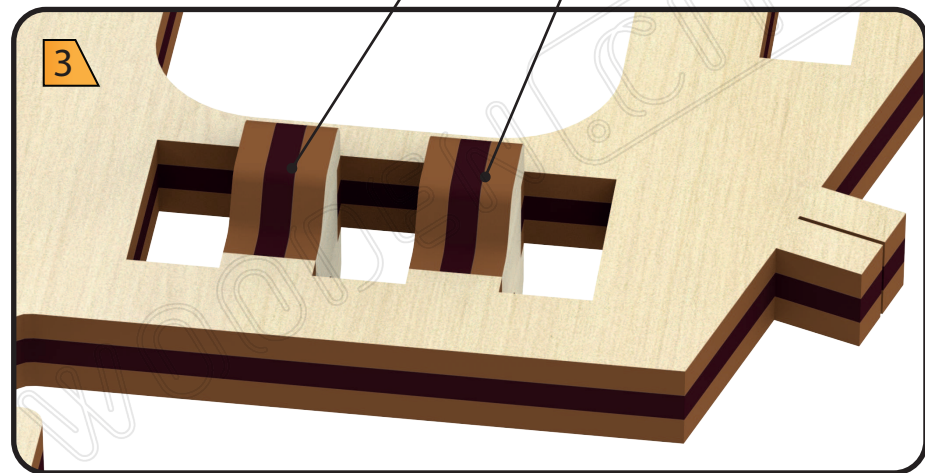
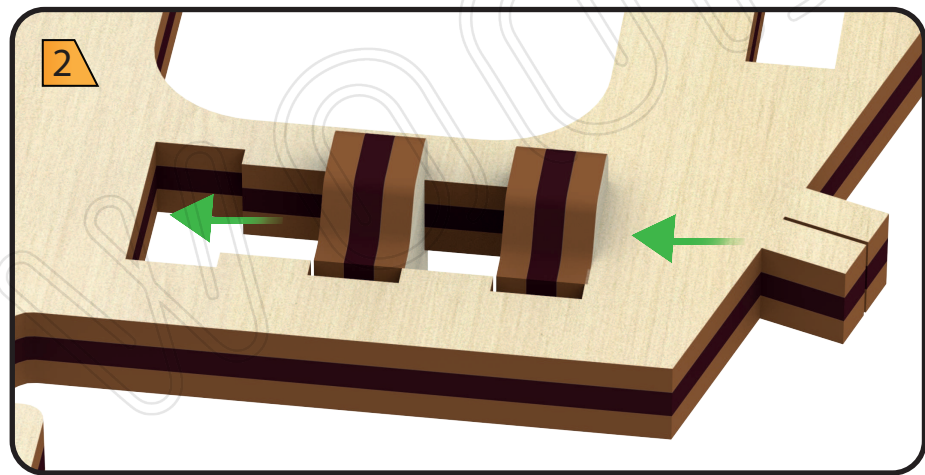
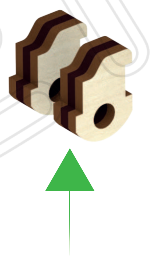
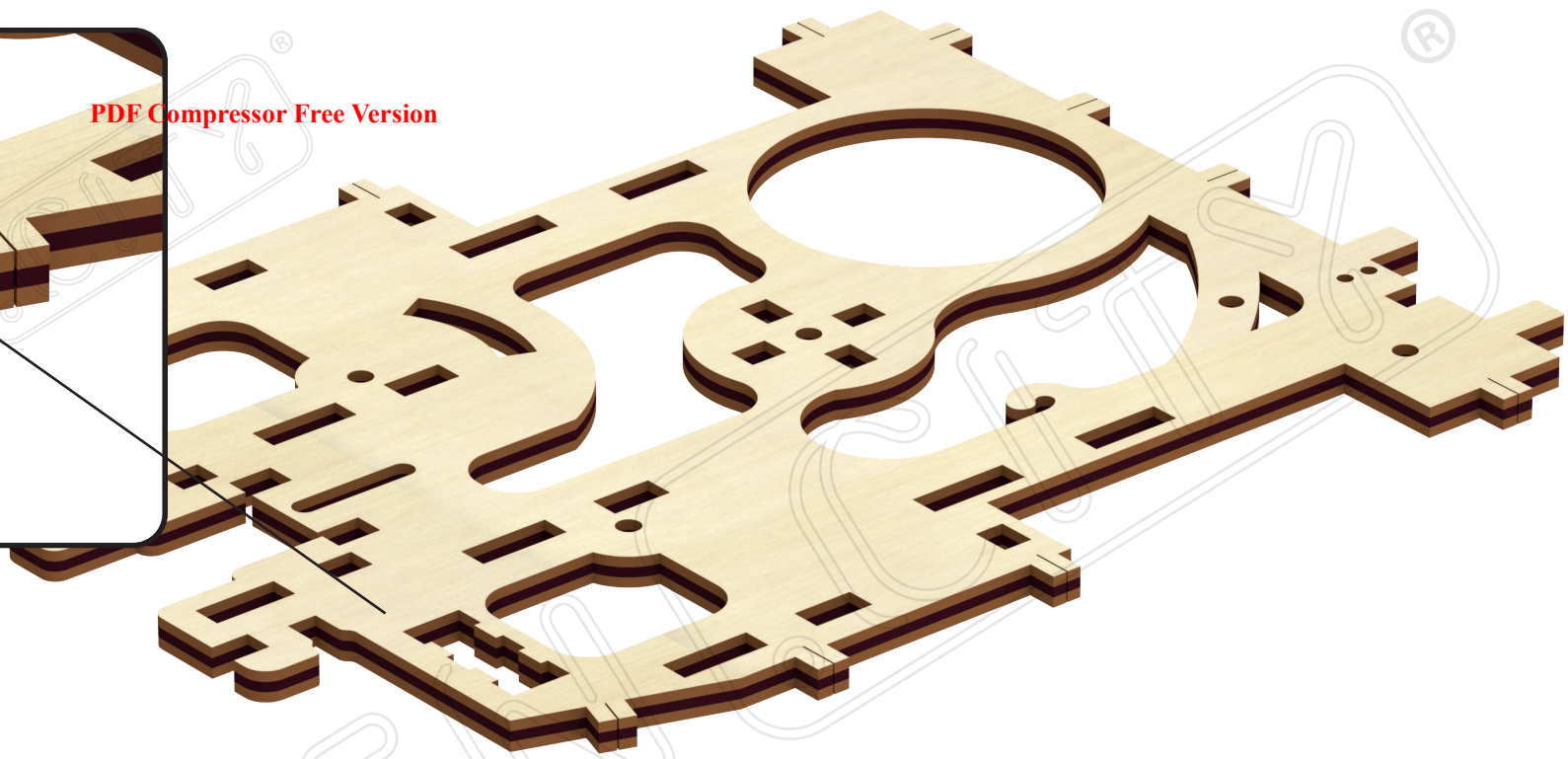
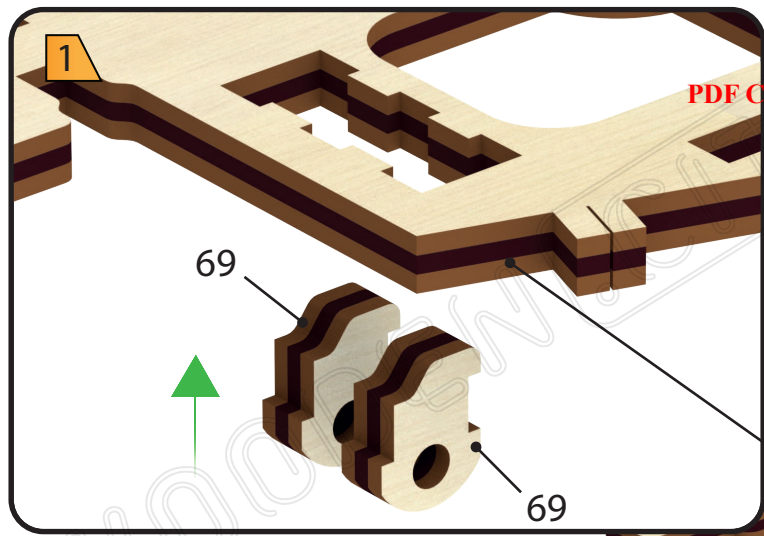


17

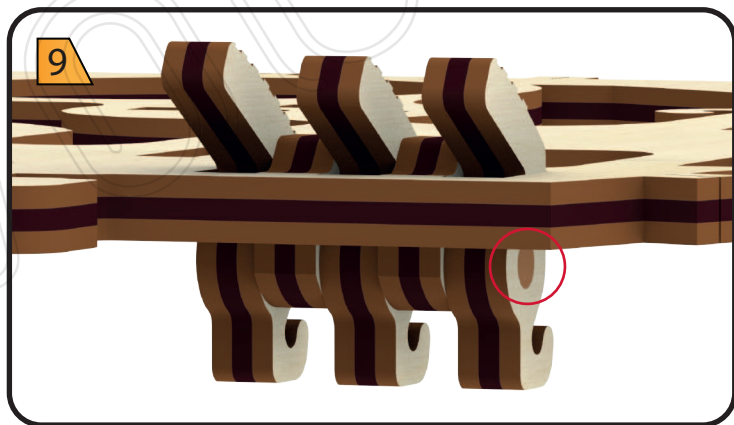
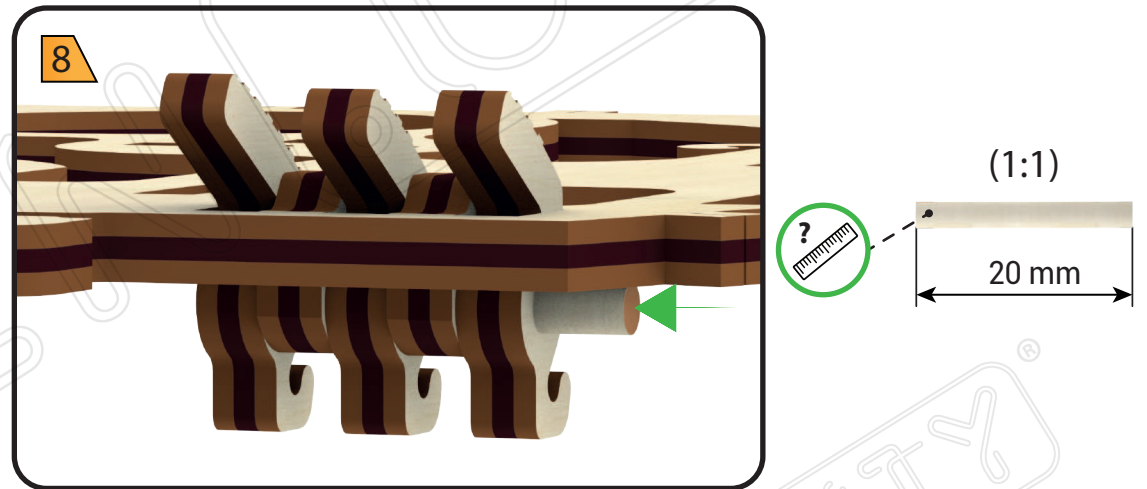
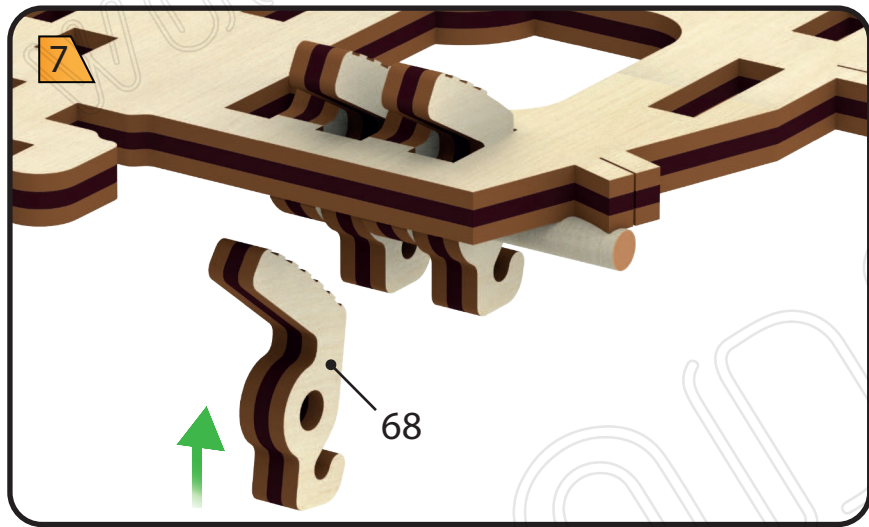
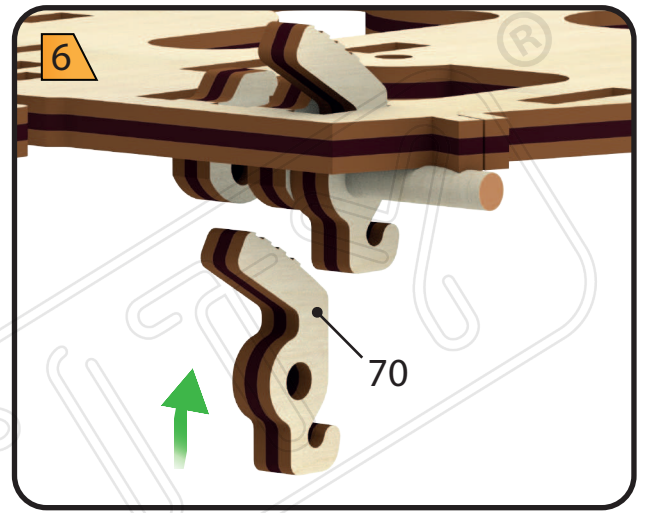
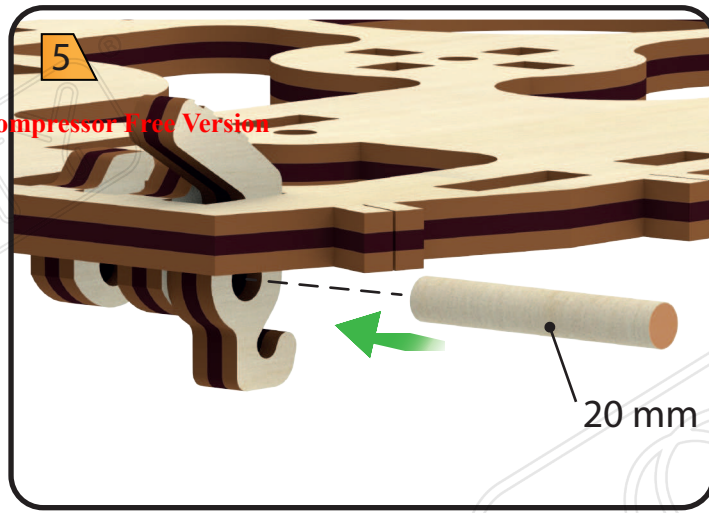
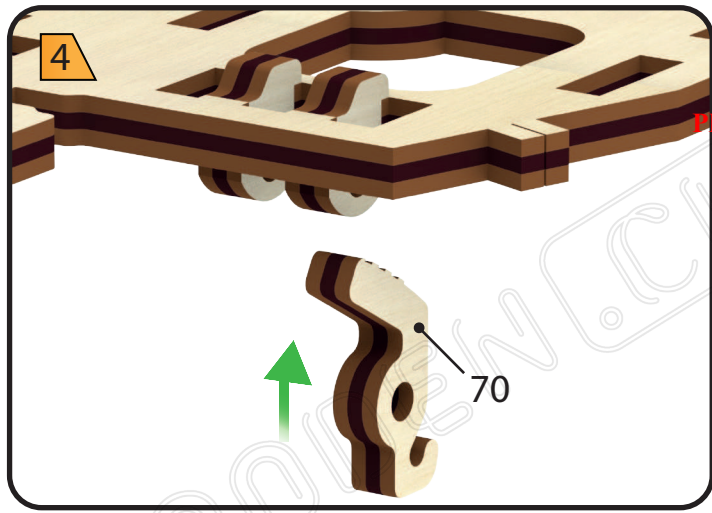


60



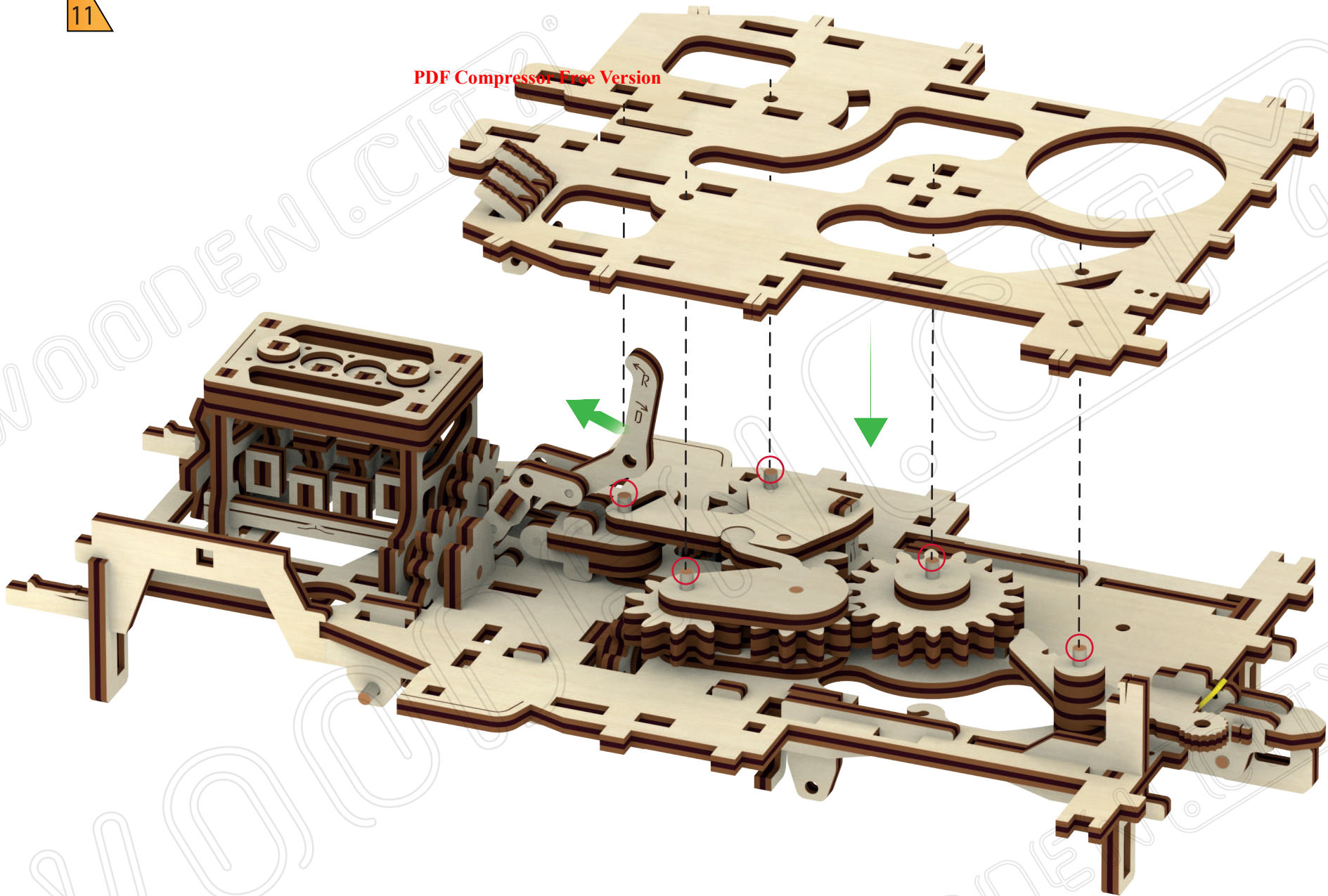








PDF Compressor Free Version

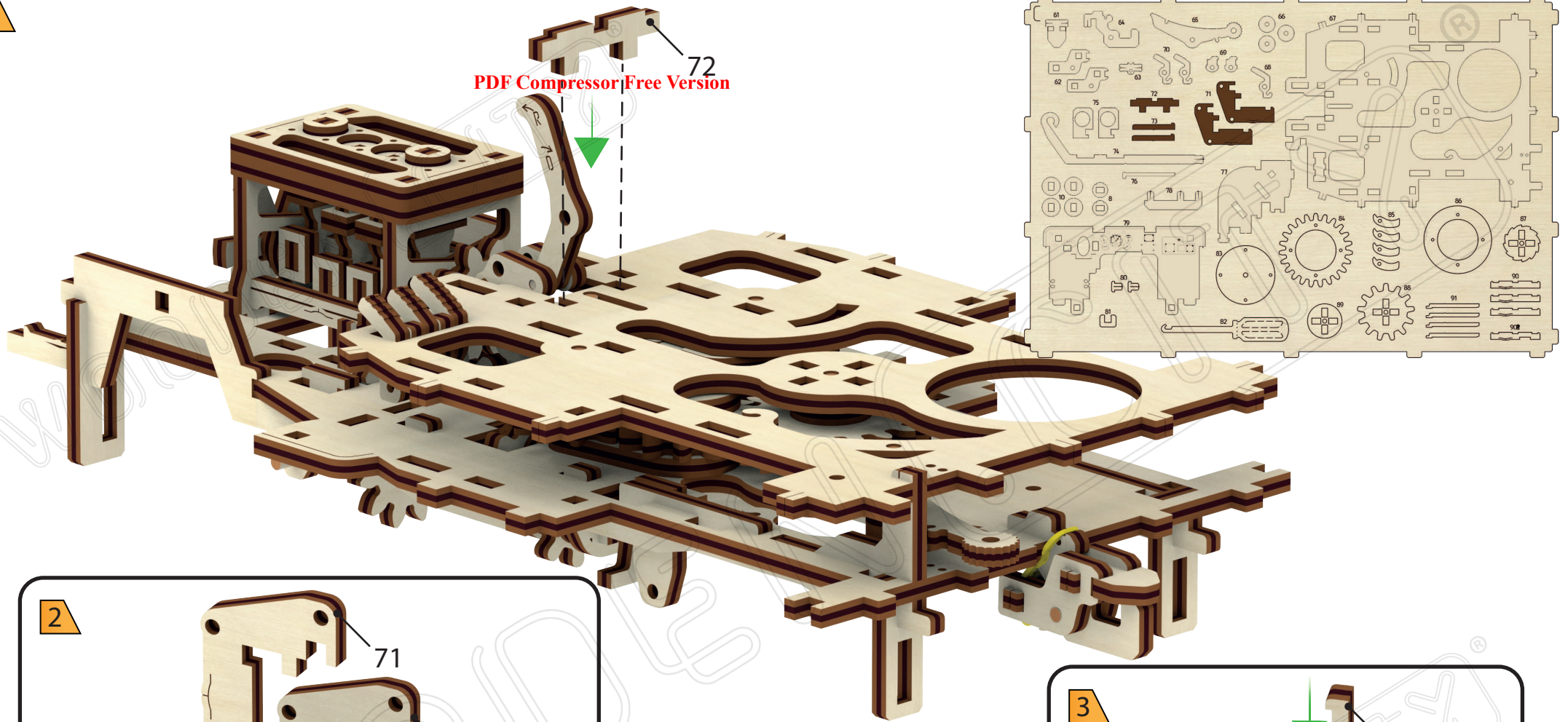




1

PDF Compressor Free Version

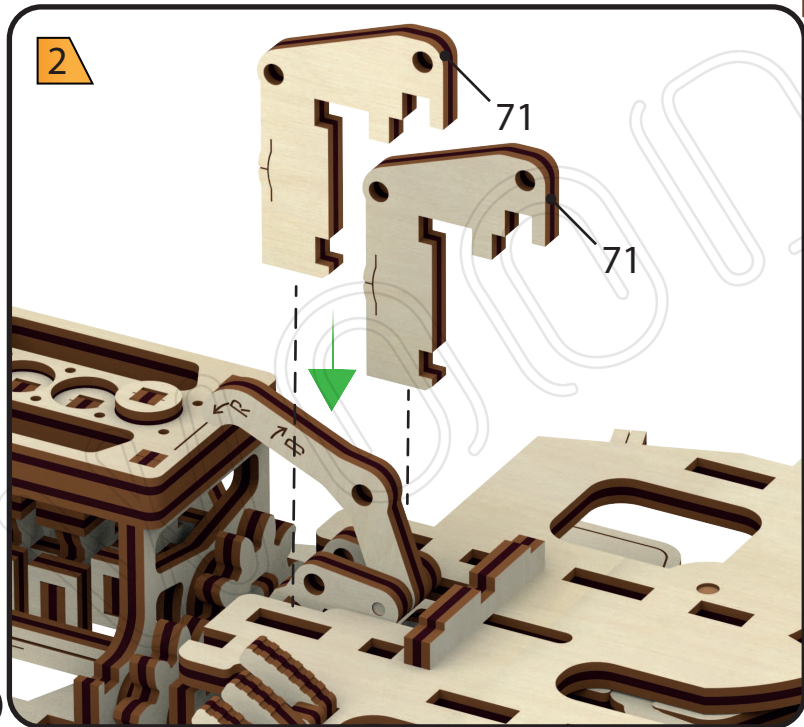
72



2

71

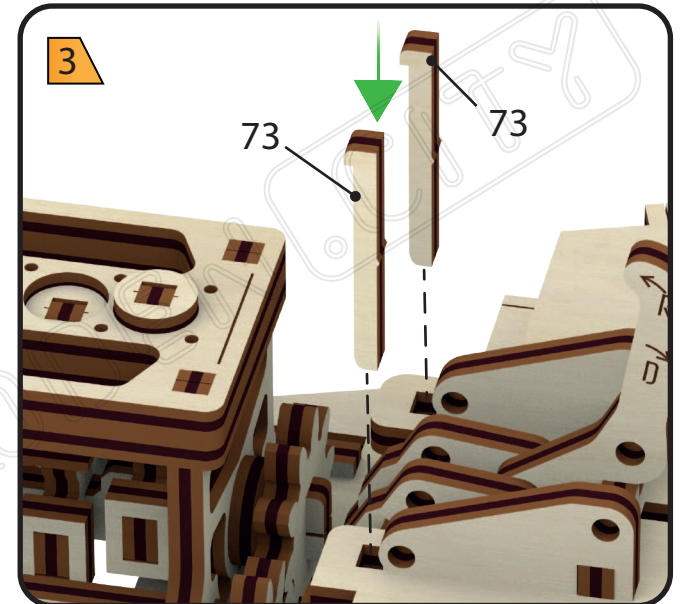
71



3

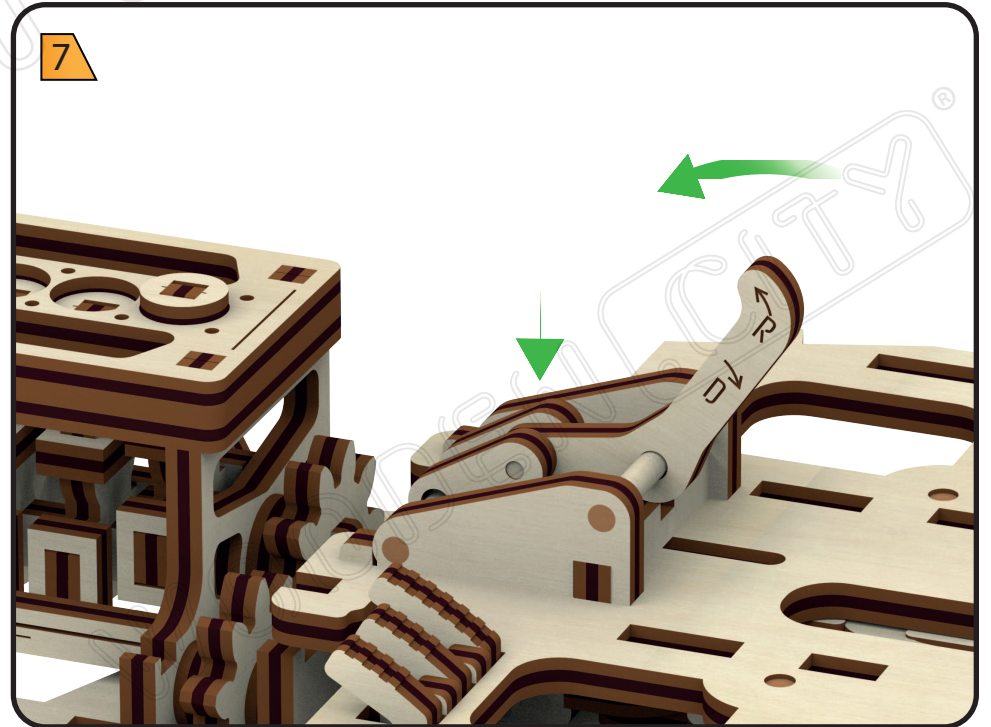
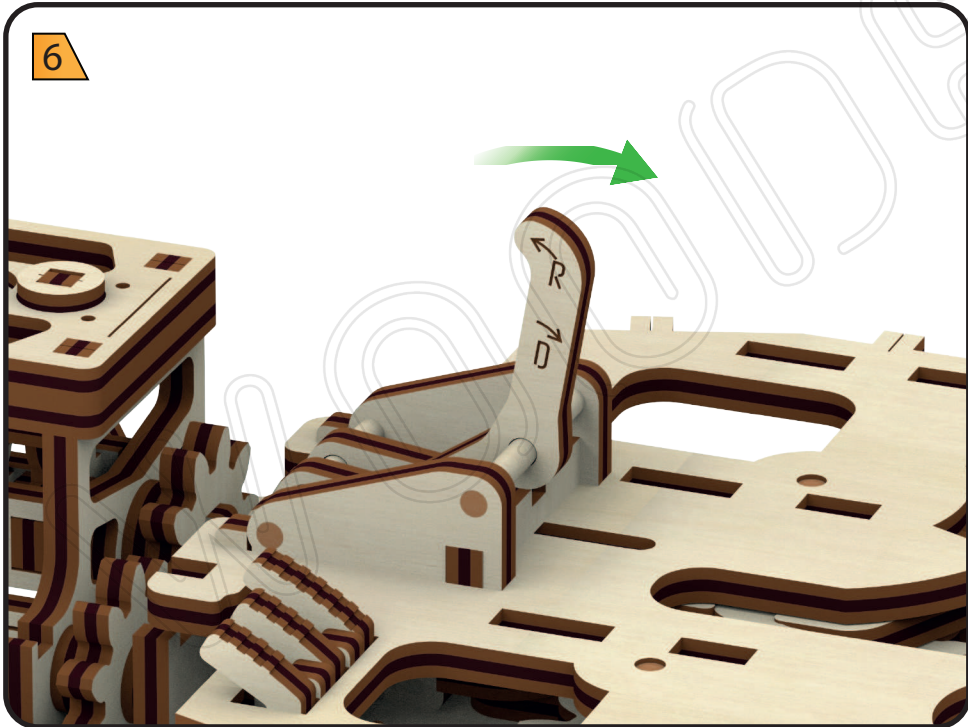
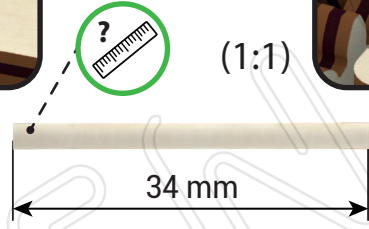
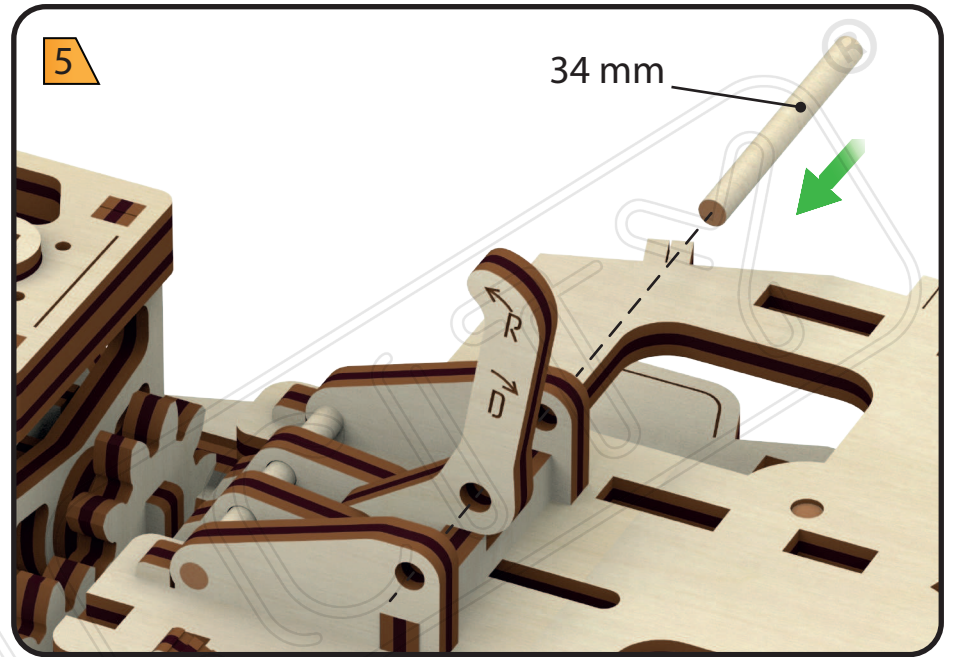
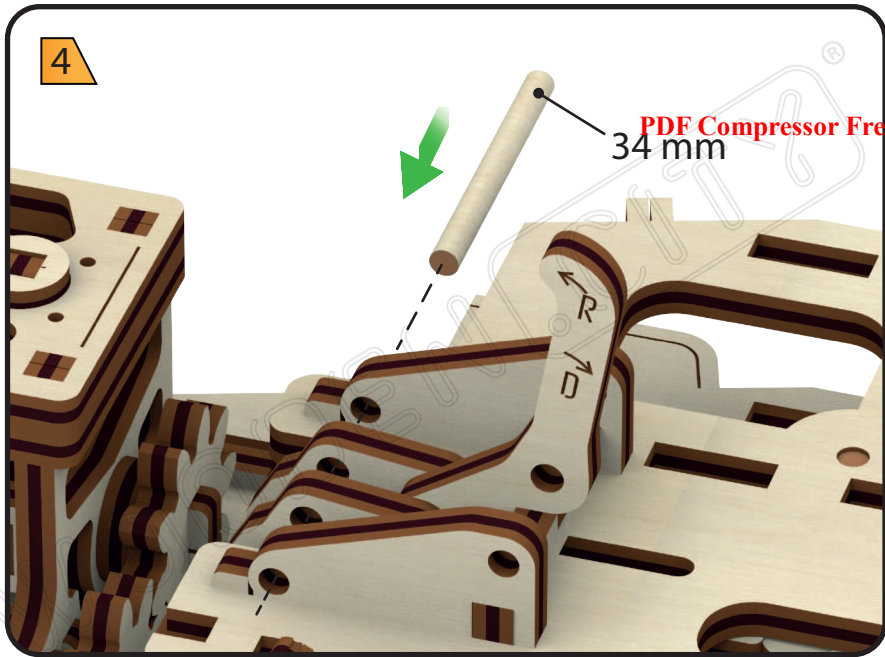
73

73



64







8

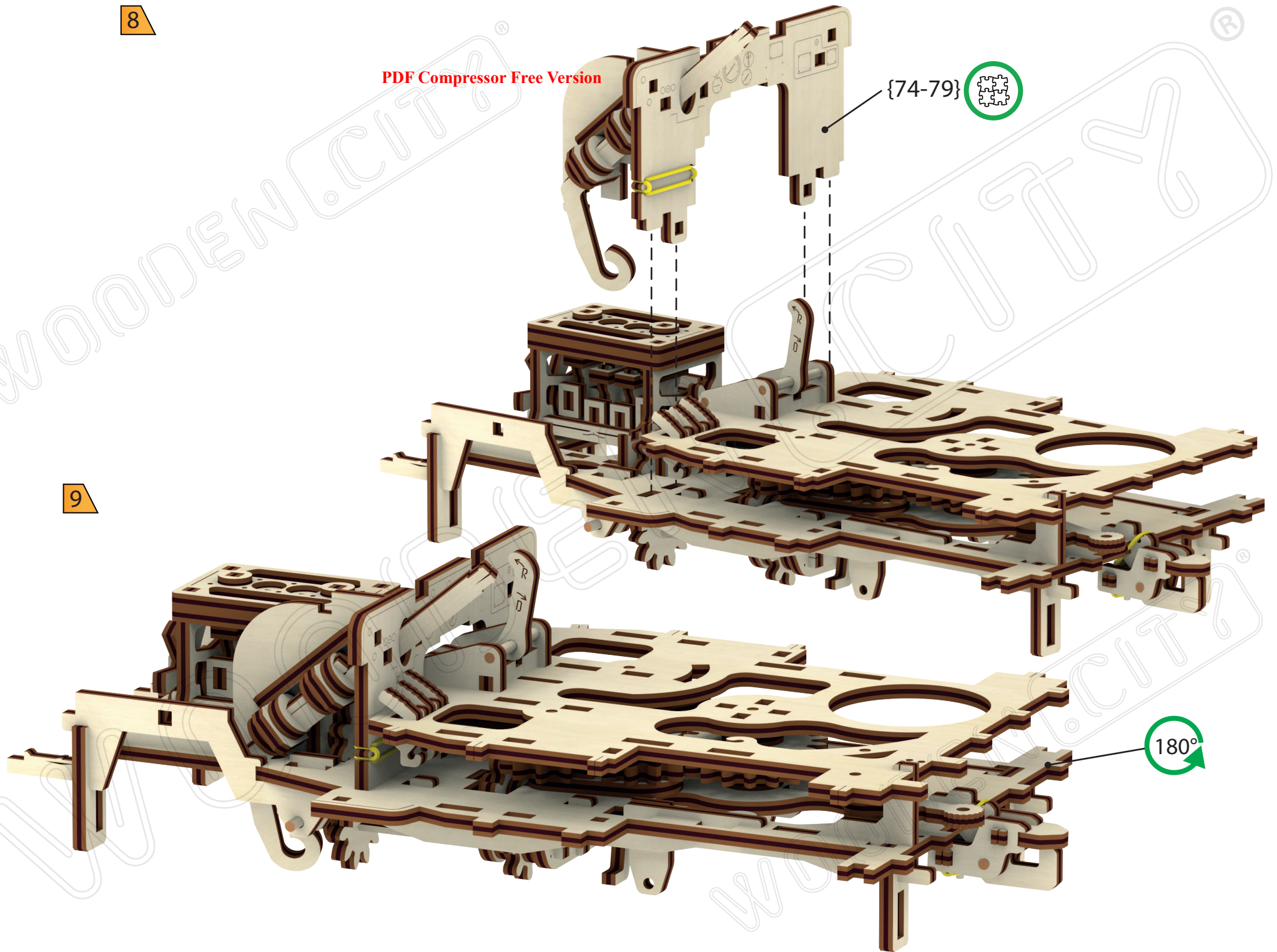
PDF Compressor Free Version

{74-79}

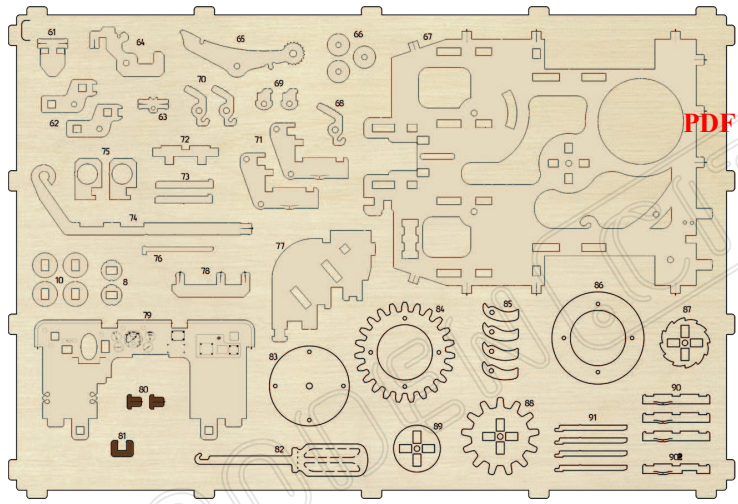


9

180°







PDF Compressor Free Version

10

