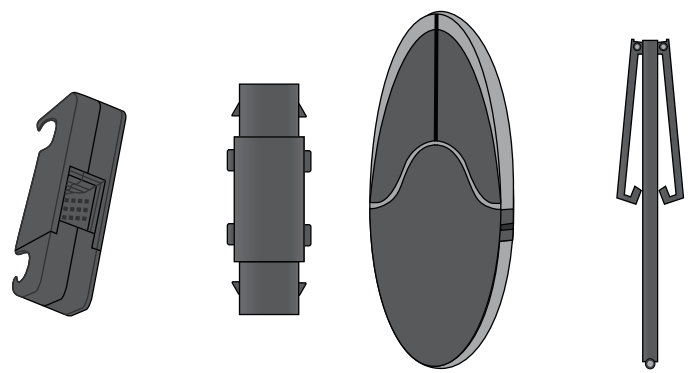
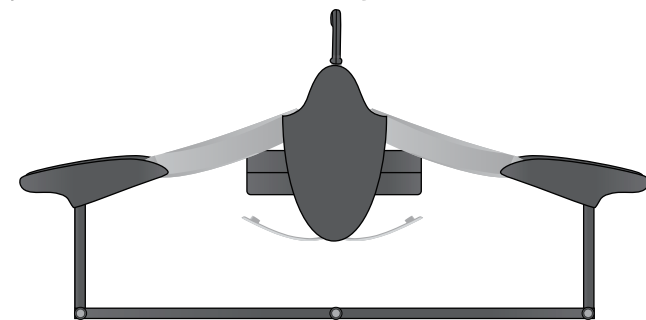
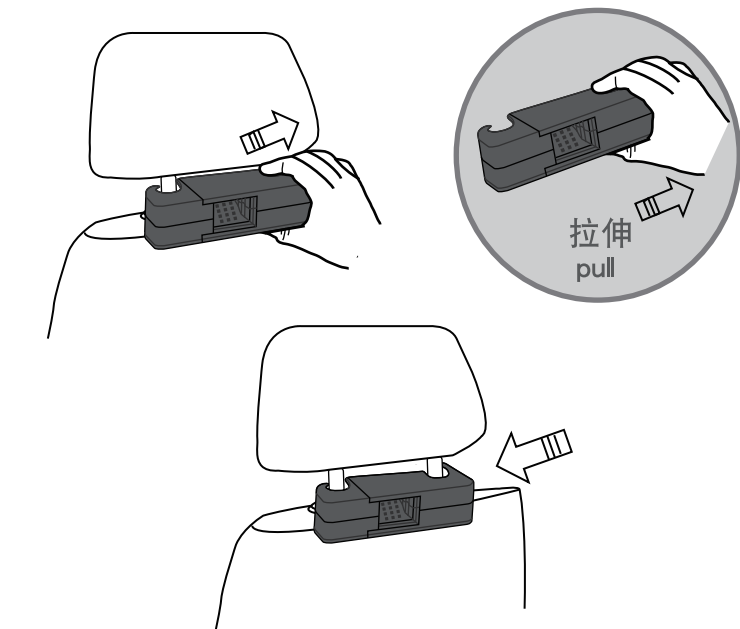


## 实用折叠式车用衣架 Utility Foldable Car Hanger

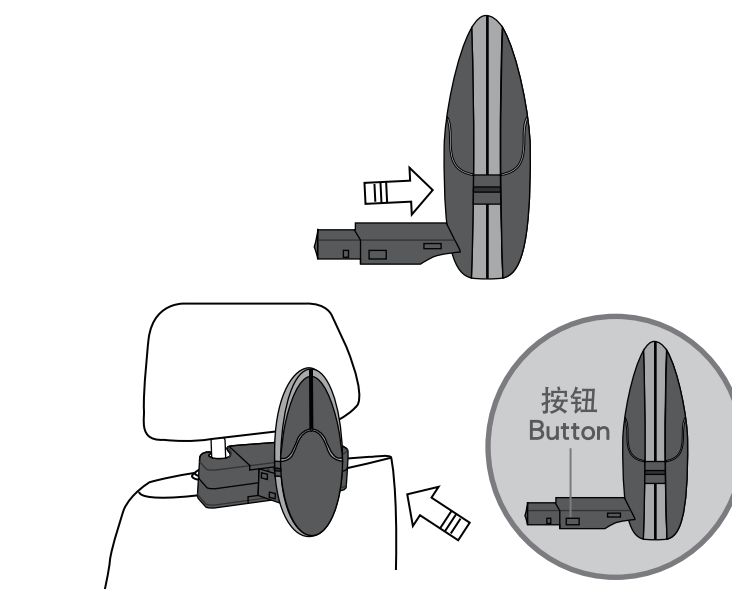


1 支撑杆固定母座 Hanger base carrier  
2 连接座 Hanger middle holder  
3 衣架折叠 Hanger  
4 挂物支架 Foldable hanging rod



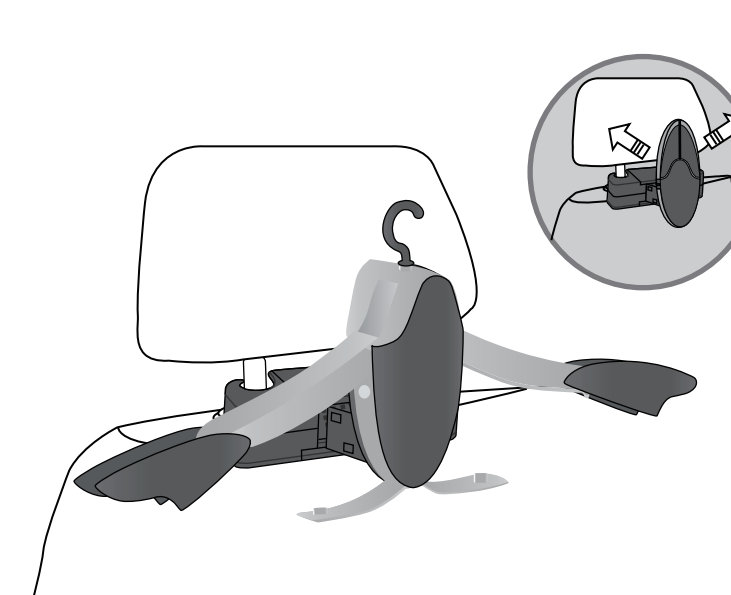
1.首先将伸缩底座一端固定于金属杆上、然后将伸缩底座另一端拉伸至合适长度、对准头枕下的金属杆，固定于汽车头枕上固定杆上。

1.Fix one end of support bar onto one metal bar below the car seat headrest,then pull the other end until locked onto the other metal bar in place.Be sure the connector hole is facing the back seat.

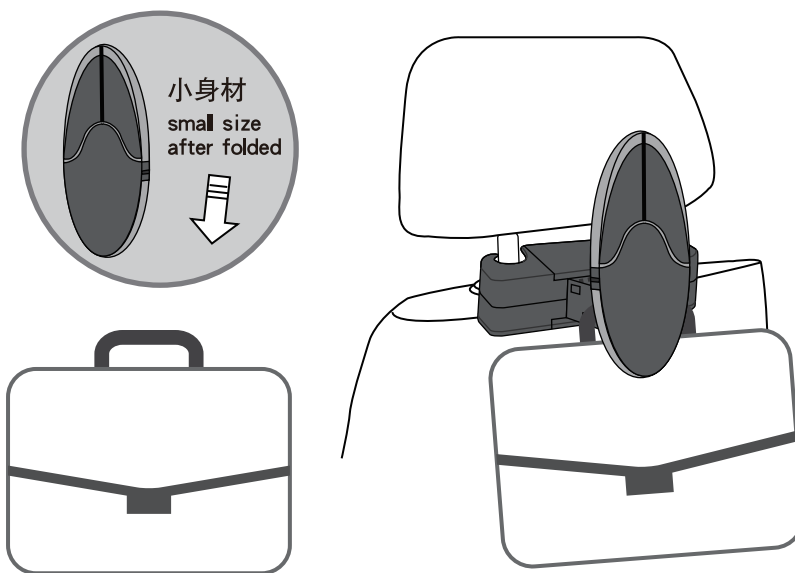


2.将衣架本体与连接座装配到一起;将装配好的衣架本体连接件的另一头对准支撑杆固定母座中间的方形开口，并用力插入，听到啪一声响，表明连接座已与母座牢固相扣。如果需要取出，需要按住连接座插头两端的按钮。

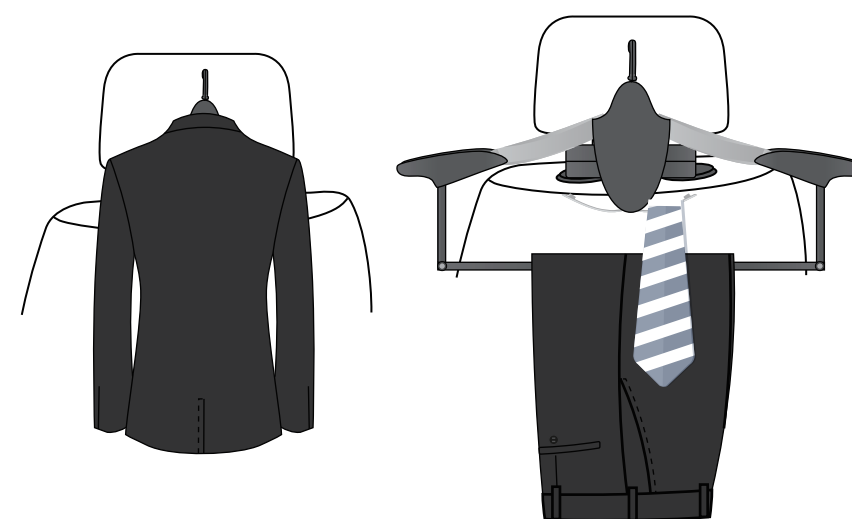
2.Put the middle holder into the hanger,then insert it into the support bar's female connector hole.Press the two buttons of middle holder firmly until they pap into place.If you need to take it apart again,just press the buttons of middle holder at the same time and pull back firmly.



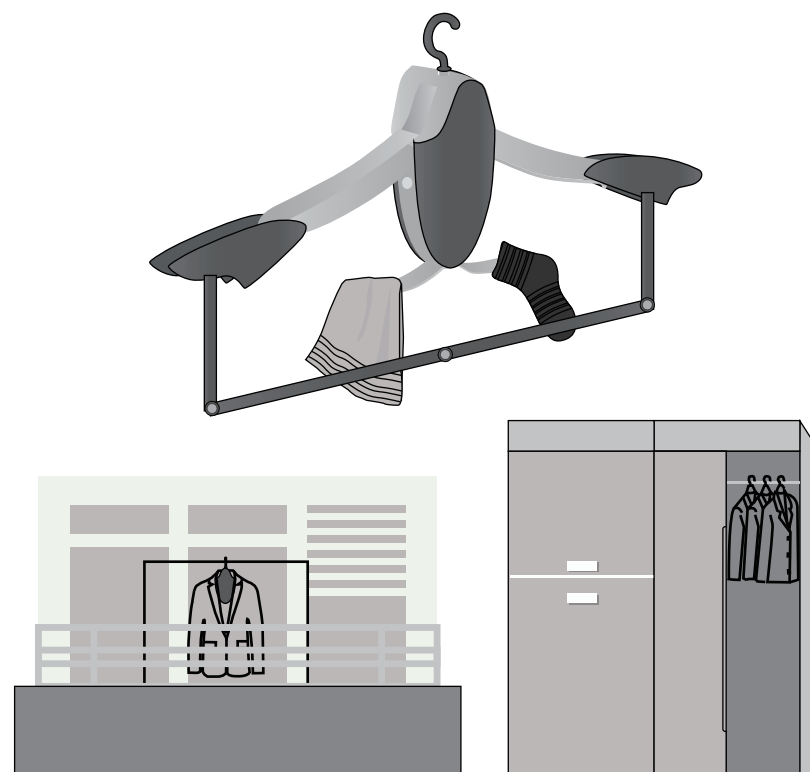
3.将衣架本体从上方方向两边打开展开两边侧翼得到衣架原型。  
3.Unfold the hanger by opening the upper two wings until they are spread completely.



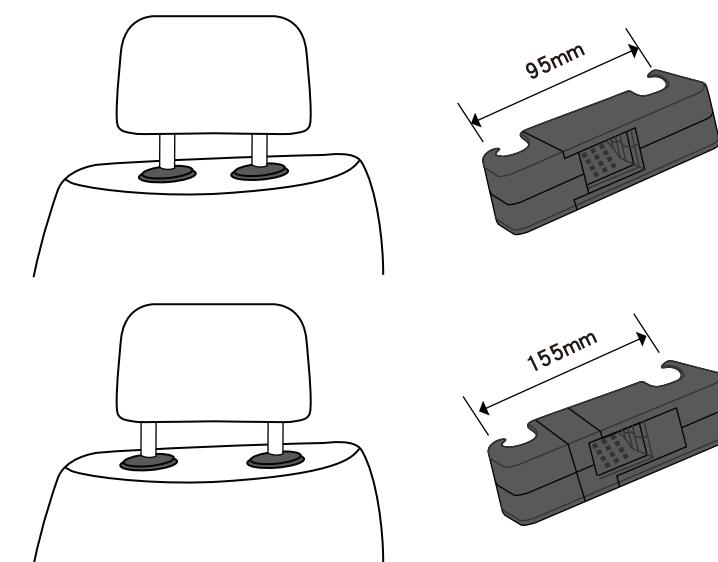
4. 折叠式多功能衣架、可置放于公文包内、方便随行携带；衣架主体与连接杆处可以挂背包、购物袋等。  
4.The foldable hanger can be put into bags during business trips,easy to carry due to small size after folded.When installed with hanger the middle holder can hang the knapsack,shopping bags and etc in the car.



5. 展开衣架原型后便可以把衣服挂上去；将挂件悬挂在衣架的两翼或衣架下方的支杠上、可用于挂放领带、毛巾或裤子。  
5.The hanger will hang the clothes after unfold the two wings.Additionally, the hanging rod can be unfolded and hooked onto the holes in the middle of both ends of two wings.When installed it can hang neckties,towels,trousers and etc.



6.衣架可挂在衣柜或者酒店及阳台晾衣服的地方使用。  
6.The hanger can be used in different places like wardrobe, balcony and etc at home or in hotels.



7.可匹配头枕金属杆最小间距为95mm，最大间距为155mm。  
7.Min.width 95mm,Max.width 155mm