



KM-2016

Autoloading Precision Screwdriver

With Gearless Ratchet

PATENTED MECHANISM
10 in 1



- ◆ **Faster Exchange Bit In A Second. No Need To Touch Your Bit.**
- ◆ **The Designed Mechanism Makes Changing Bits A Breeze.**
- ◆ **Total 10-PC Bits Stored Within The Handle.**
- ◆ **3-Way Gearless Ratchet-Forward, Reverse And Locked.**
- ◆ **No More Lost Bits.**



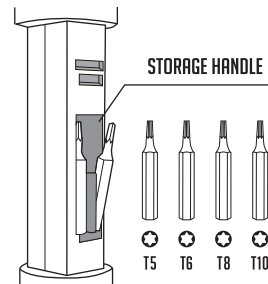
Rugged PC Handle

PRECISION

KM-2016

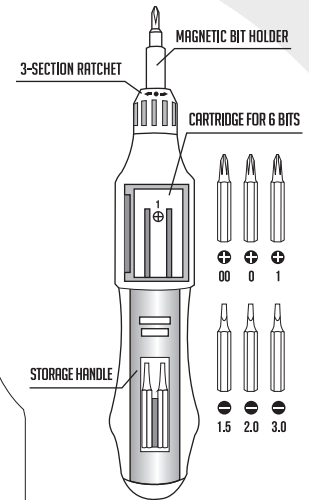
Autoloading Precision Screwdriver

10 IN 1 With Gearless Ratchet

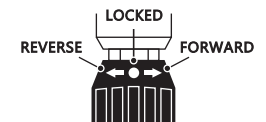


CONTENTS

- 1-PC** Autoloading Precision Screwdriver.
- 6-PC** Standard Precision Screwdriver Bits In The Revolving Chamber.
Phillips - #00 / #0 / #1
Slotted -1.5mm / 2.0mm / 3.0mm
- 4-PC** Spare Bits Stored Within The Handle.
Torx-T5 / T6 / T8 / T10



3-SECTION RATCHET



CAUTION

Keep away from reach of children. Any damage or accident occurred due to product misuse or miss of compliance with product instruction and stated warning will not be an obligation of the manufacturer.



PLEASE RECYCLE
MADE IN TAIWAN