

Classic Bicycle

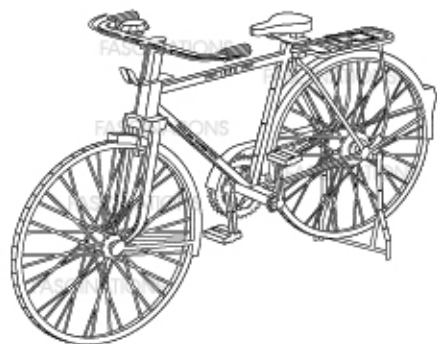
ICONX
3D METAL MODEL KITS



It is highly recommended that you visit
www.fascinations.com/iconx360/icx020
to see the completed model before assembling your own

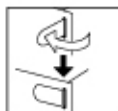
FASCINATIONS, INC.
Seattle, Washington, USA

ICX020

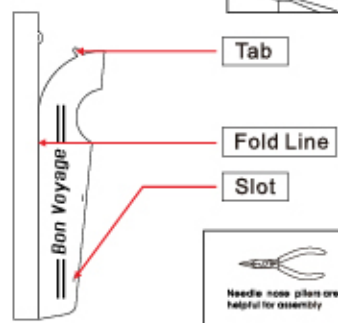
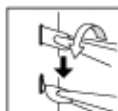


TO CREATE THE BEST CONNECTIONS

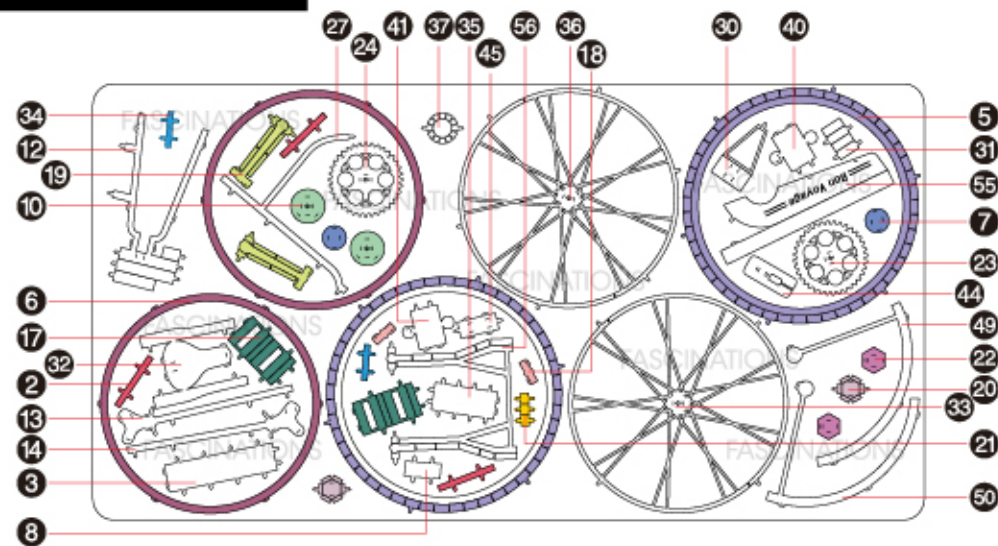
● Insert tab into slot and bend 90 degrees



▲ Insert tab into slot and twist 90 degrees



METAL SHEET 1

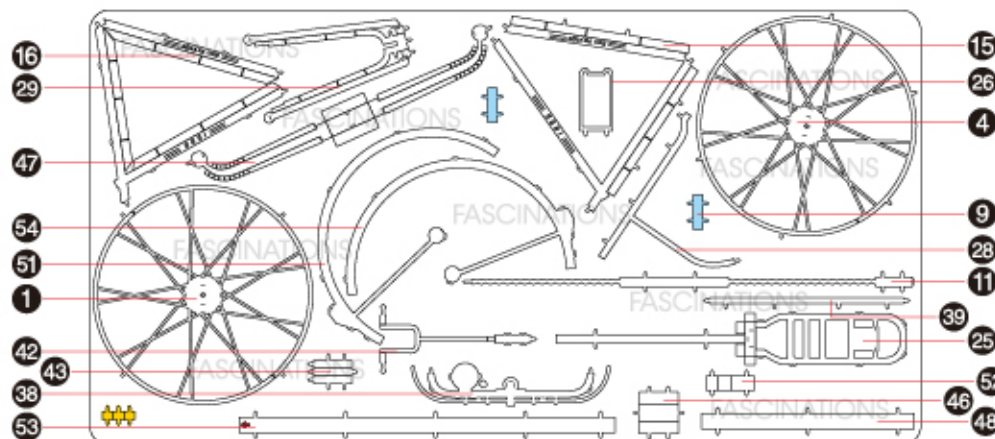


In order to avoid possible injury from sharp edges, please carefully discard the metal sheet after parts have been removed.



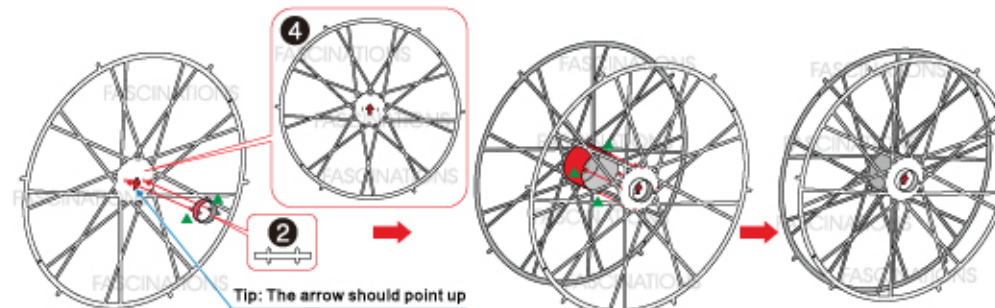
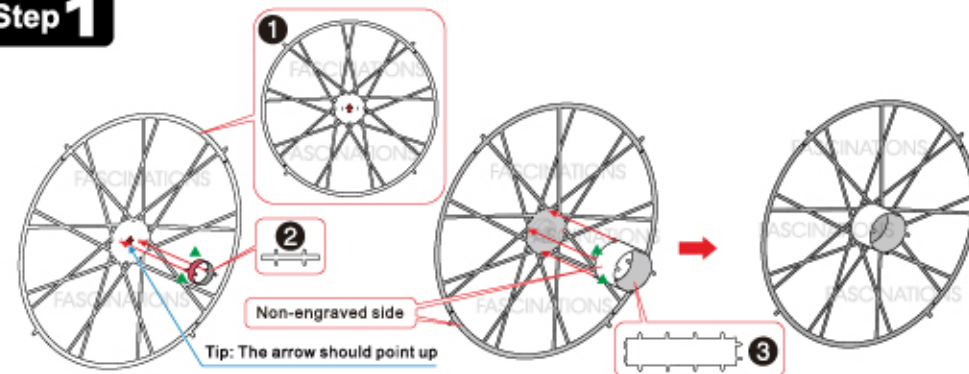
Go to www.fascinations.com/iconx360/icx020 to see the zoomable PDF version of this instruction sheet

METAL SHEET 2



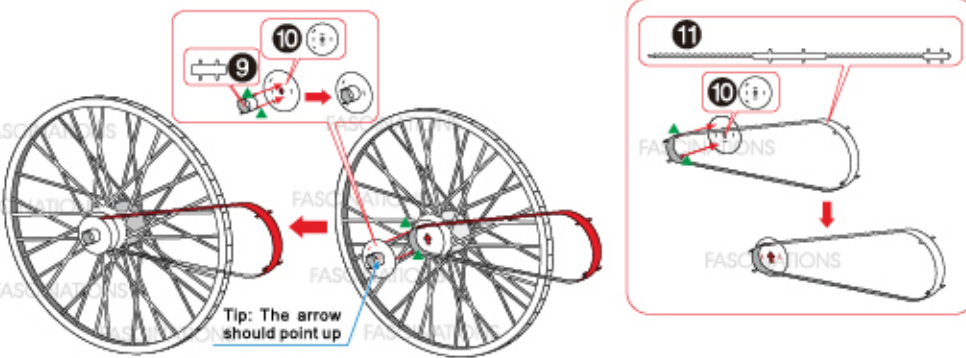
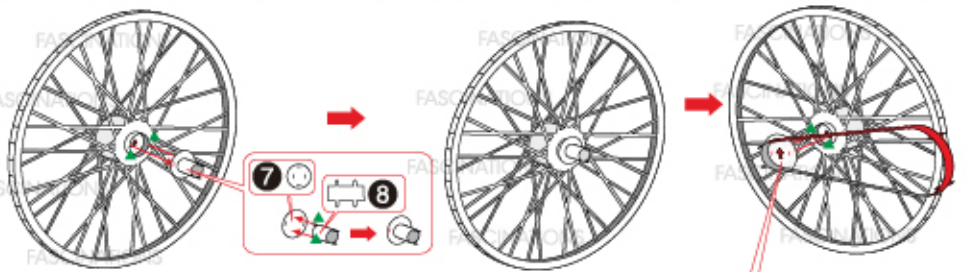
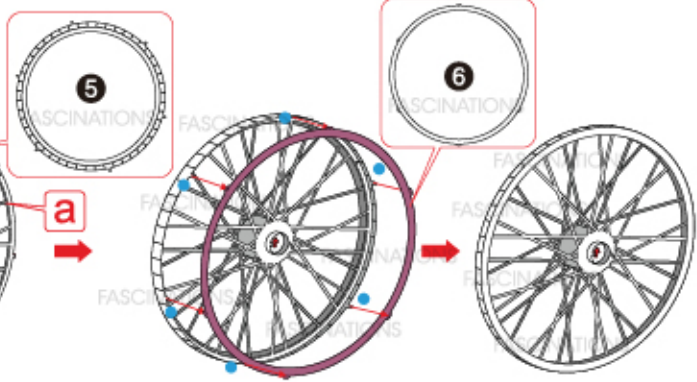
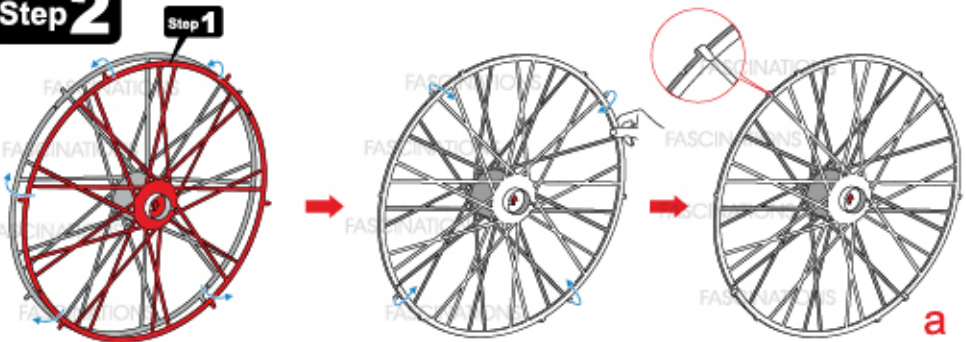
ASSEMBLY STEPS

Step 1

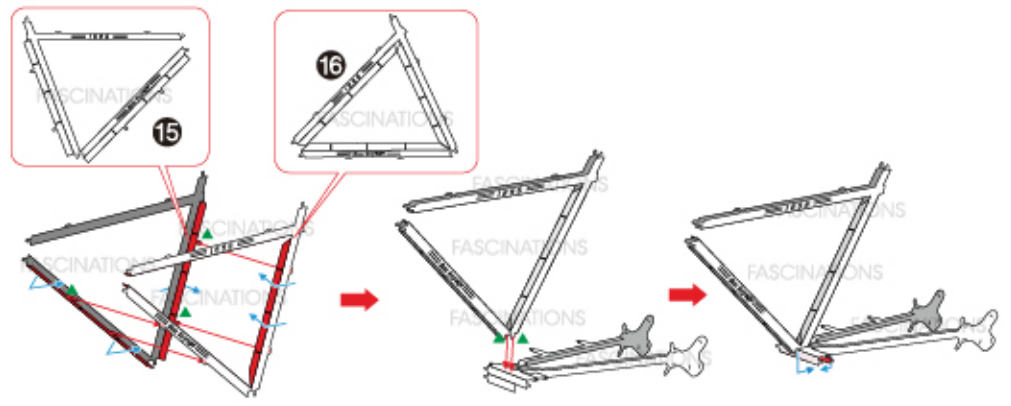
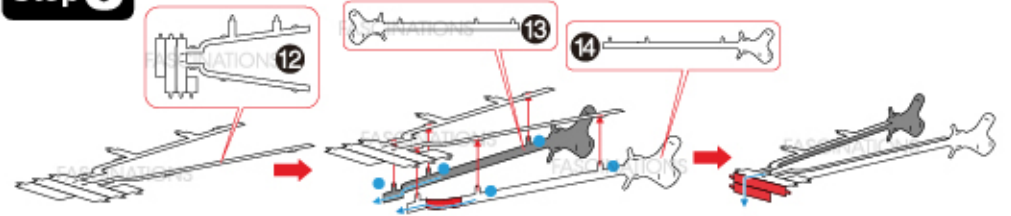


Step 2

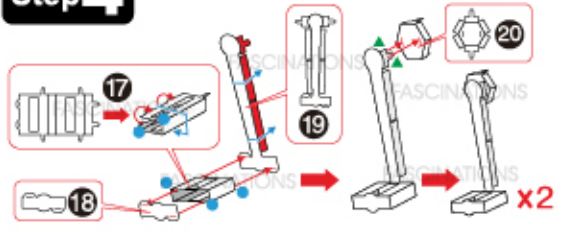
Step 1



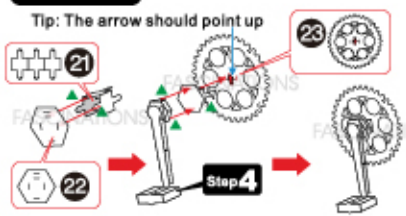
Step 3



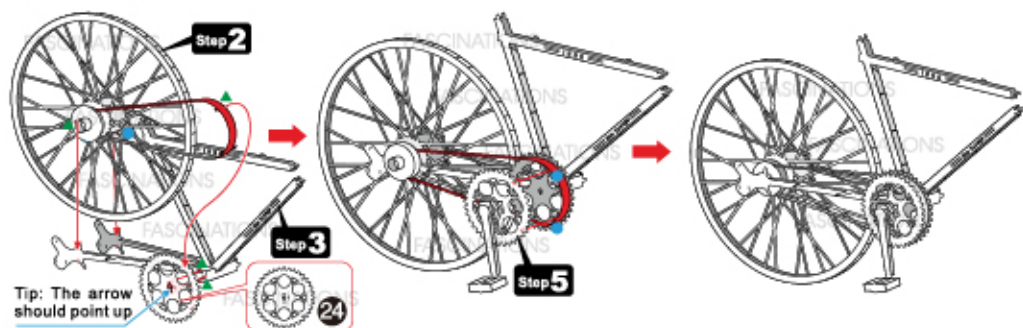
Step 4



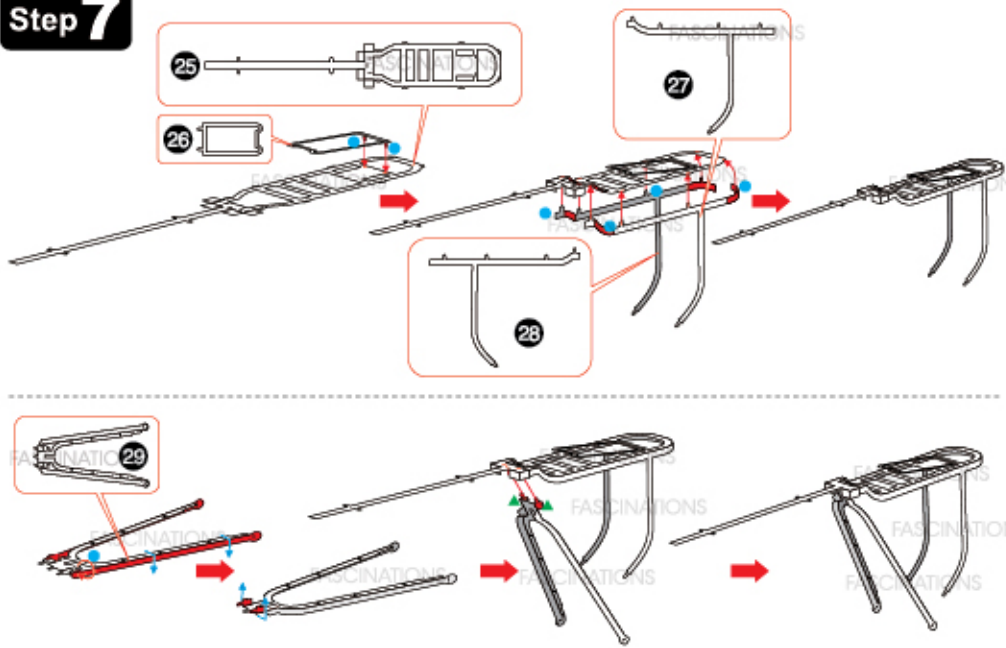
Step 5



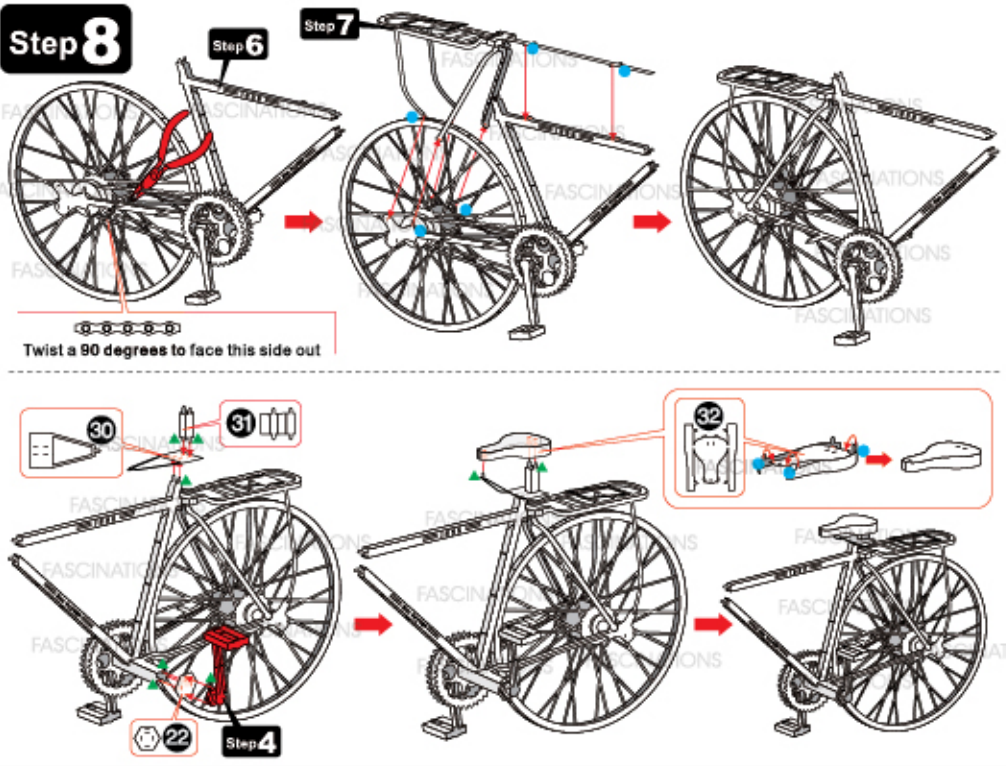
Step 6



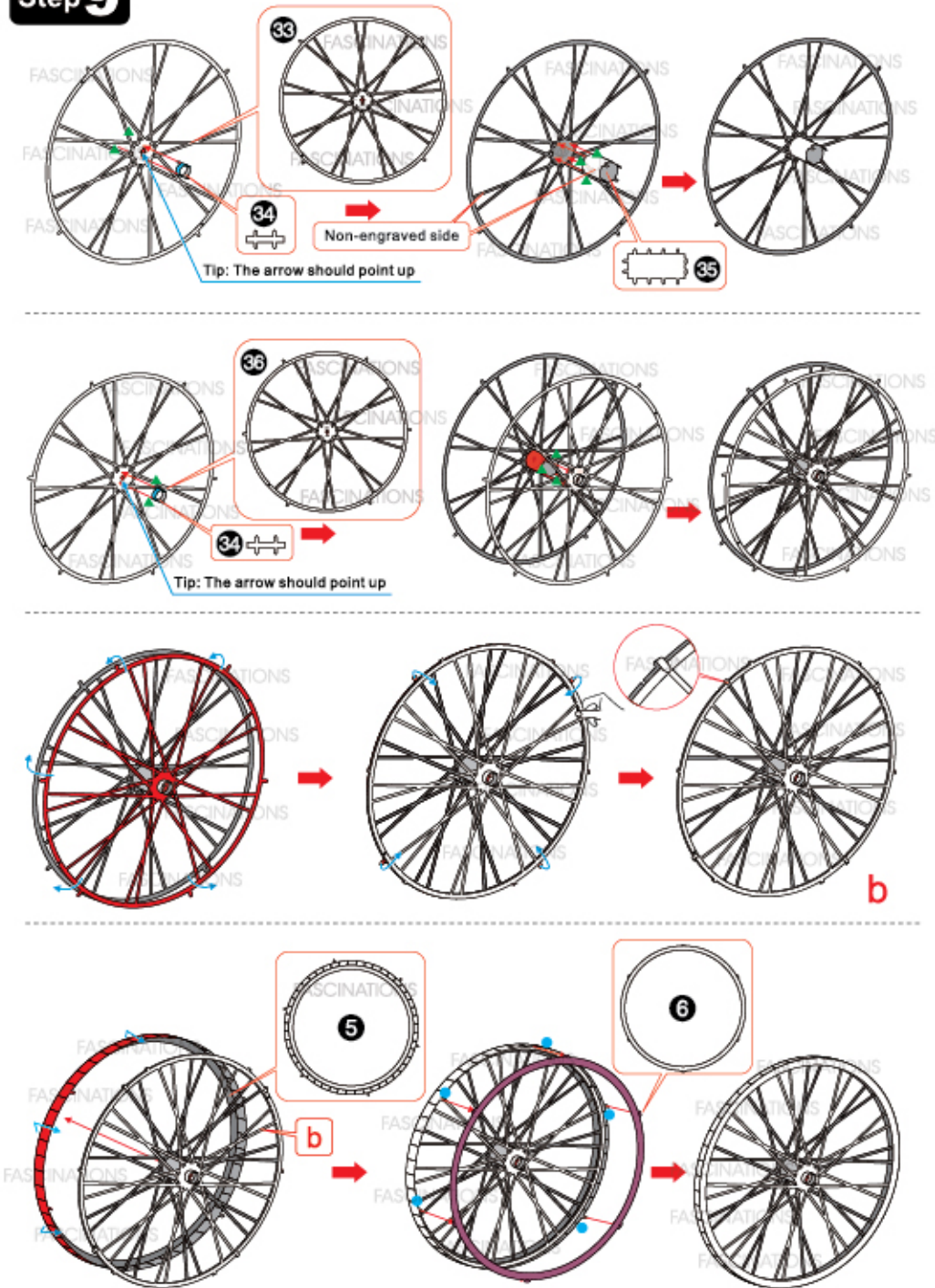
Step 7



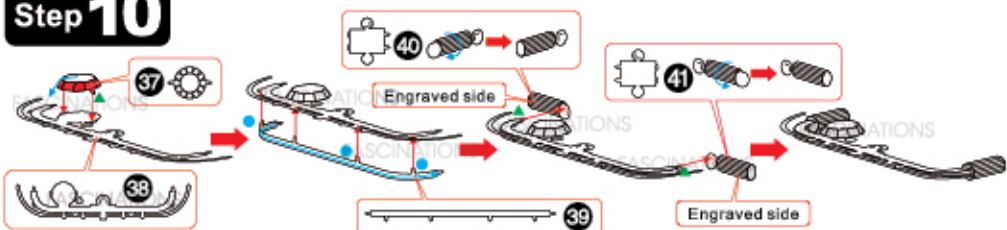
Step 8



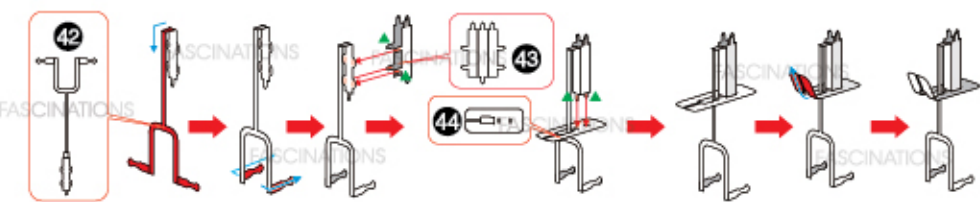
Step 9



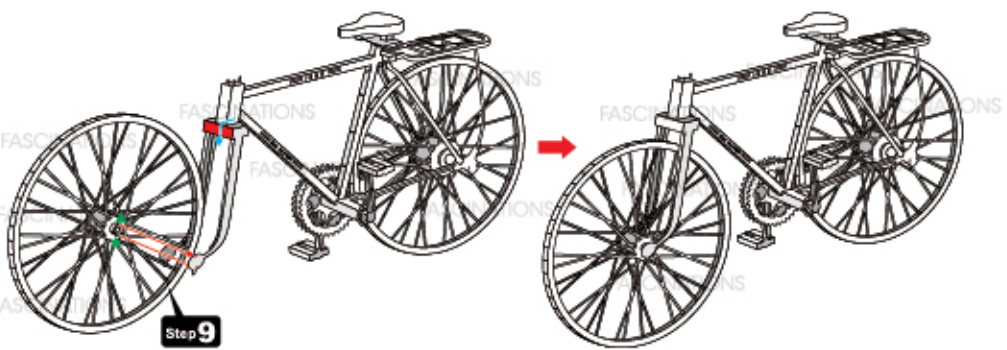
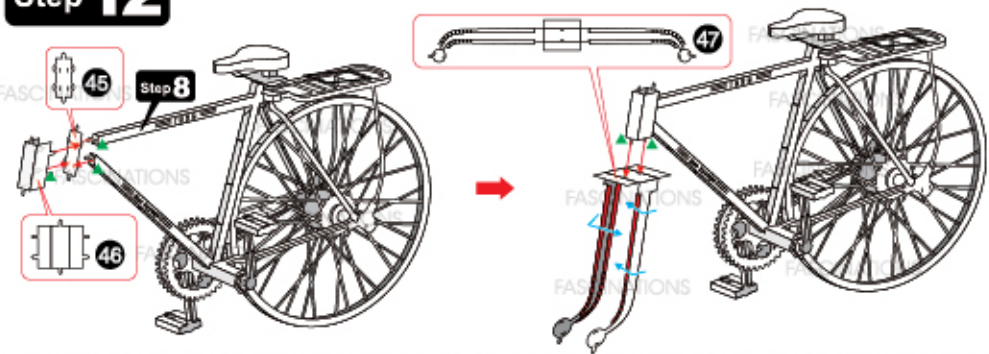
Step 10



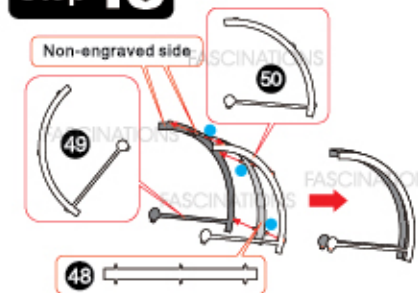
Step 11



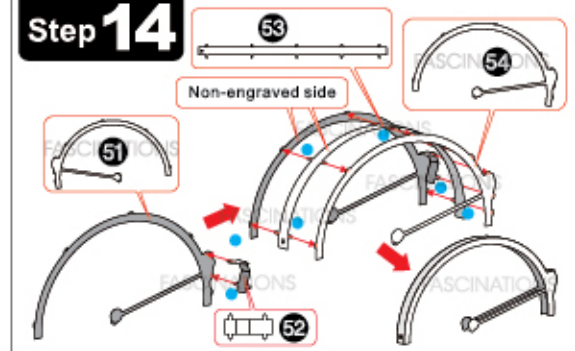
Step 12



Step 13



Step 14



Step 15

