

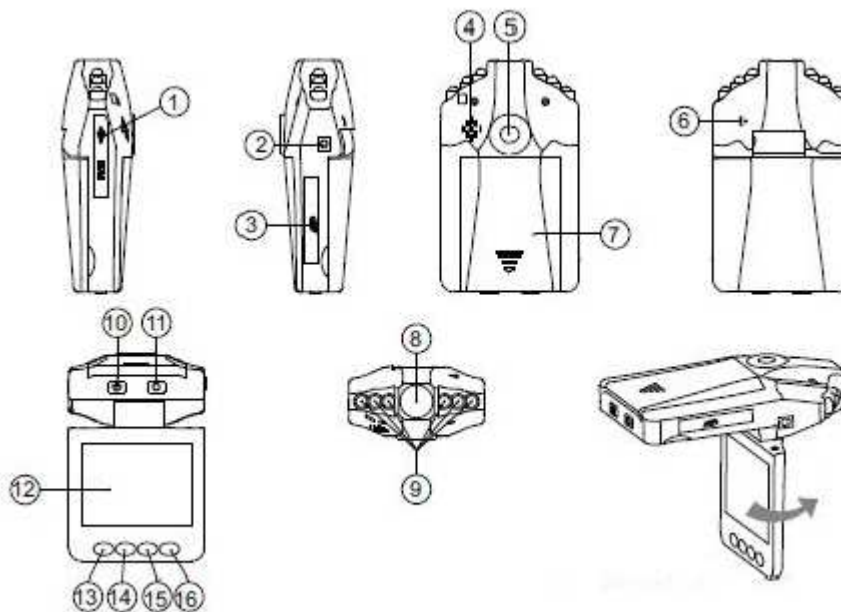
CAR DIGITAL VIDEO RECORDER

INSTRUCTION MANUAL



This appliance can be used by children aged from 8 years and above and by persons with reduced physical, sensory or mental capabilities or lack of experience and knowledge if they have been given supervision or instruction concerning use of the appliance in a safe way and understand the hazards involved. Children shall not play with the appliance. Cleaning and user maintenance shall not be made by children unless they are supervised.

PRODUCT DESCRIPTION



No.	Description	No.	Description
1	USB slot	9	Infra-Red (IR) LED
2	Audio/Video (AV) out	10	ON/OFF power switch
3	SD/MMC card slot	11	REC/SNAP
4	Speaker	12	LCD screen
5	Mount hole	13	Menu button
6	Microphone	14	Down button
7	Battery compartment cover	15	Up button
8	Lens	16	Mode button

NOTE: The SD/MMC card from 1GB up to 32 GB is the necessary storage support for this product and it is separately supplied!

OPERATING INSTRUCTIONS

A. POWER CHARGING

1. Use Li-ion rechargeable battery

- Insert the Li-ion rechargeable battery into battery compartment and put the battery cover (7) back into place.
- Connect with the USB cable or car cigarette adaptor for battery charging. The indicator light (11) is red during the charging and it will become to ~~blue~~ no light after a full charge.

2. Connect with car cigarette adaptor

Connect the car charge, the Digital Video Recorder (DVR) will record automatically when the car starts. Unplug the car charger and save the last file when the car stops.

B. OPERATIONS

ATTENTION: Please insert the SD/MMC memory card into SD/MMC card slot (3) first.

1. Recording

- Press ON/OFF power switch (10) to turn on the DVR, it will enter into defaulted recording mode, and "REC" icon flashes on the LCD screen (12).
- The indicator light appears and flashes during the recording.
- Press the REC/SNAP button (11) to stop the recording and the indicator light (11) won't blinker.
- Press ON/OFF power switch (10) again to turn it off.



ATTENTION: The recorded files automatically delete when the storage medium is full without file locking operation.

2. Camera mode

- Press ON/OFF power switch (10) to turn on the DVR.
- Press Mode button (16) to enter into Camera mode
- To take photo by pressing RED/SNAP button (11)

3. Preview mode and Delete mode

- Make sure the DVR is turned on, and please press REC/SNAP button (11) once if you can see red "REC" writing on the LCD screen (12).
- Press mode button (16) twice to enter preview mode.

- Press UP (15)/ DOWN (14) adjustable button to select the preview files.
- Press REC/SNAP button (11) to play or stop the selected file.
- Press Menu button (13) to enter delete mode, and then press UP (15) / DOWN (14) button to select the choice.
- Press REC/SNAP button (11) to confirm and exit.

PARAMETERS SETTING

- Turn on the DVR by pressing the ON/OFF power switch (10).
- Stop the recording by pressing the REC/SNAP button (11).
- Press Menu button (13) to enter the parameters setting.
- Press UP (15) / DOWN (14) button to choose the parameter and confirm by pressing REC/SNAP button (11).
- Press mode button (16) to exit and enter the preview mode.
- Press mode button (16) again to exit the preview mode.

DOWNLOAD

- Make sure the DVR is turned off.
- Connect DVR with your computer by using the USB cable.
- Your computer will detect this removable disk where the recorded files were stored.
- At the moment, the files of the DVR can be downloaded to your computer.

TV OUT

- Connect DVR with your television or other terminals by using the AV or USB cable.
- Press the ON/OFF power switch (10) to turn on the DVR.
- Press the REC/SNAP button (11) to exit the recording mode by default.
- Press mode button (16) to enter the preview mode and press UP (15) / DOWN (14) button to select the preview file.
- Press REC/SNAP button (11) to stop the play file. However, the file automatically stops when it finished.

CAR MOUNT INSTALLATION

- Put the screw of the mount included into the mount hole (5) of the DVR, then turn clockwise to fix it
- The mount can be installed on the glass of your car by using the suction cup and you can adjust its position by turning the black screws.

SPECIFICATIONS

- Recording resolution: 640x480; 720x480; 1280x720; 1280x960 pixels
- Video format: AVI
- Repeat storage by section: 2/5/15 minutes
- Battery: 1 x Li-ion battery included, 3.7V $\overline{\text{---}}$, 1020mAh
- Car cigarette adaptor:
 - Input: DC 12V - 24V
 - Output: DC 5V

WARNING: You should not dispose of this device with your household waste. A selective collection system for this type of product is implemented by your local authorities. Please contact your local authorities to find out how and where collection takes place.

These restrictions apply because electrical and electronic devices contain dangerous substances that have harmful effects on the environment or on human health and must be recycled.



**This symbol indicates that electrical and electronic devices are collected selectively.
The symbol shows a waste container crossed out with an X symbol.**

If the power cable is damaged, it must be replaced by the manufacturer, his after sales service, or a person qualified in this area in order to avoid any accidents arising.

Marketed by EUROTOPS VERSAND GMBH D-40764 LANGENFELD, Germany
Made in PRC