

**Super Bright LED Clip (Set of 2)**  
**Art No.:24 477**  
**Manual**

**Specification:**

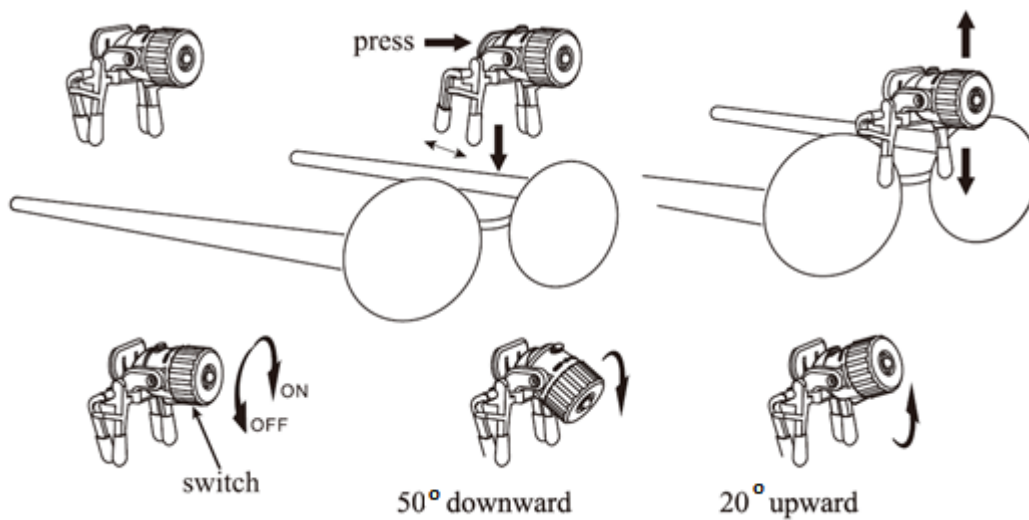
Light: White light LED

Material: TPE+POM

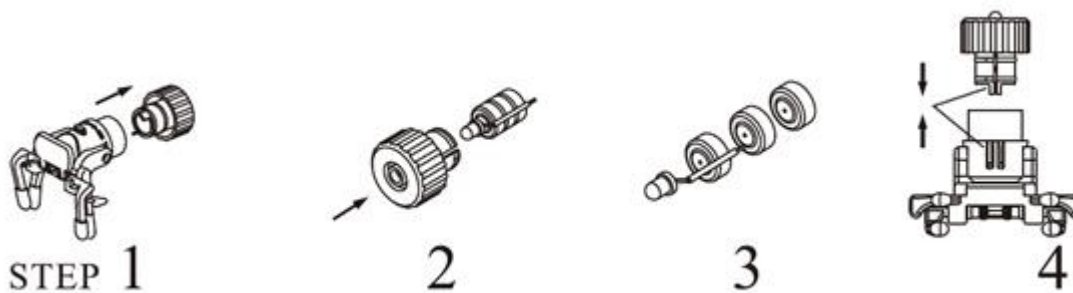
Battery: 3 x AG3 (LR41) included

Size: D16 x H24MM

**Instructions:**



**Change batteries:**



1. Pull out the LED switch.
2. Slightly push the LED light bulb.
3. Pull out the needle and remove all the old batteries.
4. Replace with new batteries with correct polarity and assemble back to the position.

**ATTENTION!!** The returns will be impossible if products were used or damaged because of incorrect use.

## DISPOSAL:

The packaging material is reusable. Dispose of the packaging in an environmentally friendly way by putting it in the appropriate recyclable waste collection containers.



Dispose of the product and the batteries in view of the environment if you want to separate. The device and the batteries must not be thrown in with domestic waste. Take them to a recycling center for used electrical and electronic devices. For more information you can consult your local government. Remove batteries first.



Eurotops Versand GmbH  
Elisabeth-Selbert-Straße 3  
40764 Langenfeld, Germany



If technical support is needed, please call ...

in Germany 0180 . 530 63 63\* or [info@eurotops.de](mailto:info@eurotops.de)

in Austria 01 . 230 60 43 12 or [info@eurotops.at](mailto:info@eurotops.at)

in Switzerland 044 . 28 36 125 or [info@eurotops.ch](mailto:info@eurotops.ch)

in the Netherlands 026 . 37 36 333 or [info@eurotops.nl](mailto:info@eurotops.nl)

in France 0892 . 700 470\*\* or [info@eurotops.fr](mailto:info@eurotops.fr)

\* 14 Cents/minute via German landline, max. 42 cents/minute via mobile phone network

\*\*34 Cents/minute via French landline

A possible return of products should be addressed to the return address stated on your invoice.

The manual only reflects the technical conditions available under printing. Any changes in technology and equipment are reserved.

© 13.08.2015