

Gebruiksaanwijzing

User manual

Gebrauchsanleitung

Mode d'emploi

Návod k použití

## CORDLESS WET & DRY VACUUM CLEANER

### MISTRAL



CVC5783M/CVC5783MW

07/13

HOME APPLIANCES

## INHOUDSOPGAVE

VEILIGHEIDSVOORSCHRIFTEN	4
HET PRODUCT	5
MONTAGE	6
HET GEBRUIK	6
ONDERHOUD EN REINIGING	8
PROBLEMEN OPLOSSEN	9
INFORMATIEPLICHT INZAKE	10
BATTERIJVERORDENING	
TECHNISCHE GEGEVENS	10
UW GARANTIEBEWIJS	11
SERVICEFORMULIER	12

## SOMMAIRE

CONSIGNES DE SÉCURITÉ	34
LE PRODUIT	35
ASSEMBLAGE	36
UTILISATION DE L'APPAREIL	36
ENTRETIEN ET NETTOYAGE	38
RÉSOLUTION DES PROBLÈMES	39
INFORMATION DE RIGUEUR SUR LE DECRET À PROPOS DES PILES	40
DONNÉES TECHNIQUES	40
VOTRE CERTIFICAT DE GARANTIE	41
FORMULAIRE DE SERVICE	42

## TABLE OF CONTENTS

SAFETY REGULATIONS	14
THE PRODUCT	15
ASSEMBLY	16
THE USE	16
MAINTENANCE AND CLEANING	18
SOLVING PROBLEMS	19
COMPULSORY INFORMATION REGARDING THE DECREE ON BATTERIES	20
TECHNICAL DETAILS	20
GUARANTEE	21
SERVICE FORM	22

## OBSAH

BEZPEČNOSTNÍ PŘEDPISY	44
PRODUKT	45
MONTÁŽ	46
POUŽITÍ	46
TYPY PRO POUŽITÍ	48
ŘEŠENÍ PROBLÉMŮ	49
POVINNÉ INFORMACE TÝKAJÍCÍ SE VYHLÁŠKY O BATERIÍCH	50
TECHNICKÉ DETAILY	50
ZÁRUKA	51

## INHALTSVERZEICHNIS

SICHERHEITSVORSCHRIFTEN	24
DAS PRODUKT	25
MONTAGE	26
DIE BENUTZUNG	26
WARTUNG UND REINIGUNG	28
PROBLEMBEHUNG	29
INFORMATIONSPFLICHT GEMÄß	30
BATTERIEVERORDNUNG	
TECHNISCHE DATEN	30
IHR GARANTIESCHEIN	31
SERVICEFORMULAR	32

## SAFETY REGULATIONS

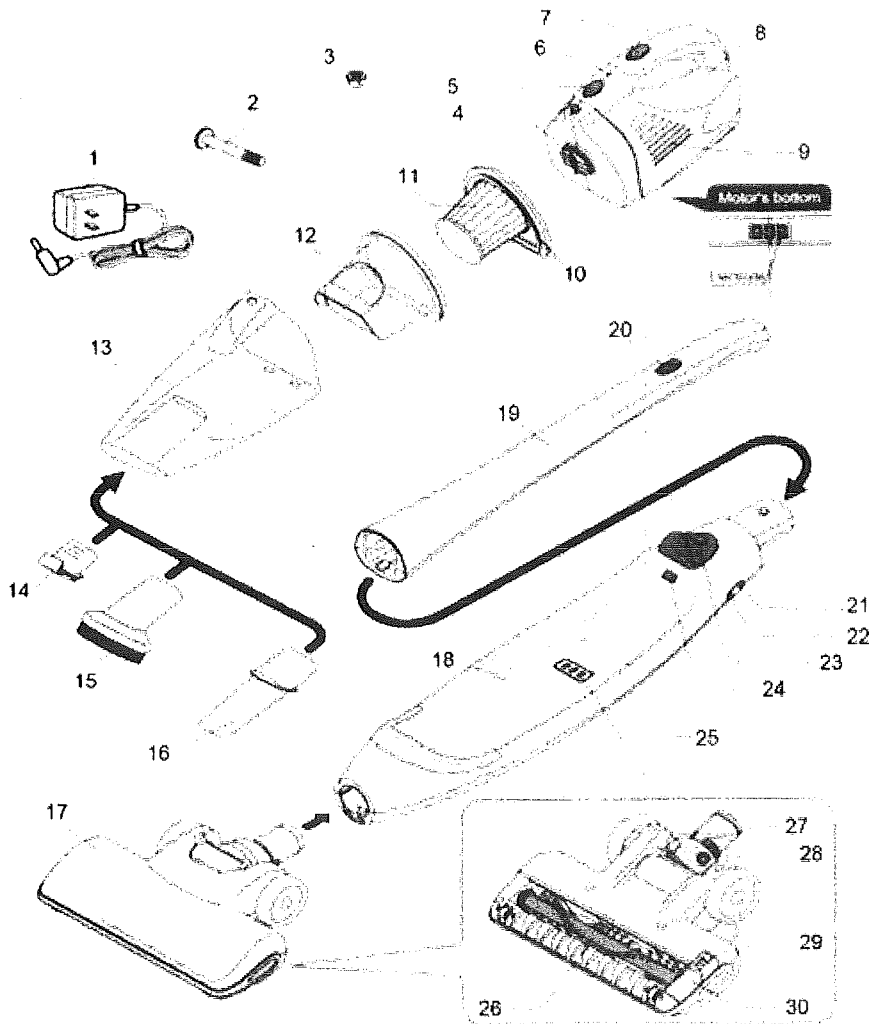
### Warning:

When using an electrical appliance, always observe basic safety precautions. The following instructions should be observed to reduce the risk of fire, electric shock or injury.

### General:

1. Read this manual carefully before using the appliance. Keep this manual in a safe place for future reference.
2. Use the appliance only as described in this manual.
3. Make sure the power supply indicated on the charger corresponds with the local voltage before connecting the charger.
4. The charger should be plugged into a grounded electrical outlet.
5. Regularly check the device and the charger are intact. Do not use the device or the charger if damaged. If the power cord of the charger is damaged, have it replaced by one of authorized service centers to avoid possible risks.
6. This appliance is not suitable for use by children or persons with reduced physical, sensory or mental capabilities, or lack of experience and knowledge, unless someone, responsible for their safety, is supervising them or explains to them how the appliance must be used. Close supervision is required if the appliance is used in the vicinity of children, pets or plants.
7. Never allow children to play with the packaging as there is risk of suffocation.
8. Never leave the device unattended. Always switch the device off when cleaning or servicing the device or when not in use.
9. Keep the appliance and the charger away from flames and hot surfaces.
10. Store the appliance indoors.
11. Never immerse the appliance and/or the charger in water or other liquids.
12. Do not use attachments which are not recommended by especially accessories which are not supplied with the appliance.
13. Never use the appliance in areas where certain vapors may be present (paint thinner, flammable material, oil based paint and varnish, flammable liquids and gases) for risk of a possible explosion.
14. This appliance is only intended for domestic use; do NOT use it for commercial purposes.
15. Do not use the device to vacuum hot items such as a glowing cigarette ends or to pick up combustible dust.
16. As a hand stick vacuum cleaner the device is only suitable to vacuum dry dust. For the vacuuming of liquids use the hand vacuum cleaner with rubber attachment.
17. Make sure the air exhaust is not blocked.
18. Do not touch the turbo brush while in use.
19. Only use the original charger which is supplied with this model. Do not use the charger when the cord of the charger shows signs of damage.

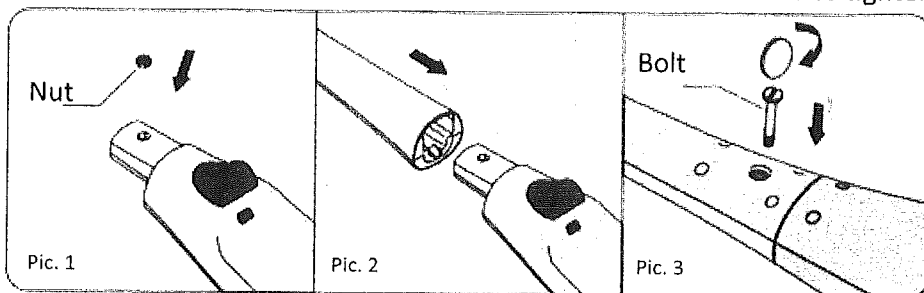
## THE PRODUCT



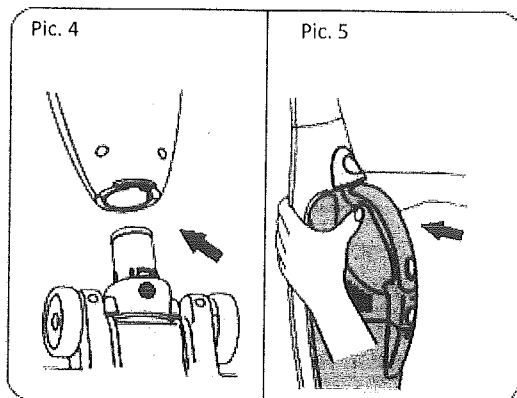
- |                                      |  |
|--------------------------------------|--|
| 1. Charger                           | 16. Crevice nozzle                       |
| 2. Bolt                              | 17. Turbo brush                          |
| 3. Nut                               | 18. Main unit                            |
| 4. Air inlet                         | 19. Handle                               |
| 5. Button to unlock dust container   | 20. On/off switch stick vacuum cleaner   |
| 6. Indicator light for low power     | 21. Indicator light charging             |
| 7. On/off switch hand vacuum cleaner | 22. Charge point charger                 |
| 8. Motor                             | 23. Button to unlock hand vacuum cleaner |
| 9. Air outlet                        | 24. Lock button hand vacuum cleaner      |
| 10. Sealing ring                     | 25. Electrode                            |
| 11. HEPA-filter                      | 26. Roll brush                           |
| 12. Plastic cover filter             | 27. Electrode                            |
| 13. Dust container                   | 28. Lock button turbo brush              |
| 14. Rubber nozzle                    | 29. Button to unlock roll brush          |
| 15. Oval brush                       | 30. Plastic cover roll brush             |

## ASSEMBLY

- Remove all packaging materials.
  - Clean the device with a wet cloth and some detergent if necessary (also see the paragraph "maintenance and cleaning").
  - Make sure that all parts are clean and dry before assembling the appliance.
1. Place the nut into the hole at the top of the main unit (Pic. 1).
  2. Attach the handle to the main unit (Pic. 2).
  3. Place the bolt at the back in the handle and turn it clockwise to tighten (Pic. 3).



4. Push the lock button turbo brush (28) while placing the main unit on the turbo brush (17) (Pic. 4).
5. Place the plastic cover filter (12) in the dust container (13).
6. Then put the HEPA-filter (11) in the plastic cover filter.
7. Assemble the dust container with HEPA-filter on the motor (8). The hand vacuum cleaner is now fully assembled.
8. Push the hand vacuum cleaner, with the front downwards, into the main unit until you hear a click (Pic. 5).



## THE USE

### Before use

- Charge the device for at least 24 hours before first use (Pic. 6). After this first charge, the maximum charging time will be 16 hours.  
**Note:** the device may become warm while charging. This is normal.
- Check the device for damage before each use. Do not use the device if it is damaged or not working properly.

### Use of the handheld vacuum cleaner

The handheld vacuum cleaner can be used for cleaning both wet and dry dirt.

1. Make sure that the handheld vacuum cleaner has been mounted in the correct way (see chapter Assembly).
2. Turn on the handheld vacuum cleaner by pushing the on/off switch on the handle (7) forward (Pic. 7).
3. If desired, you can use the following attachments:

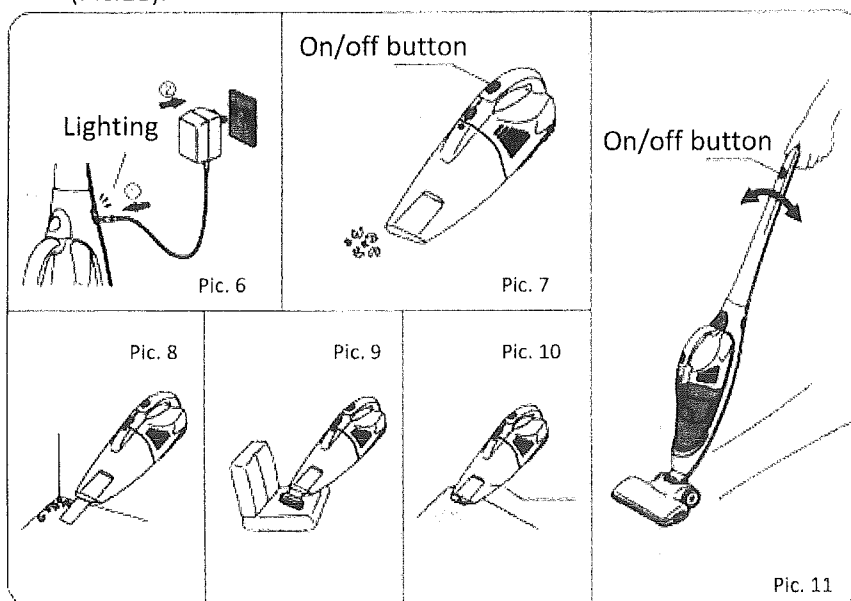
**Note:** always turn off the handheld vacuum cleaner before you connect the attachments.

- a. Crevice nozzle (16) (Pic. 8) to clean corners, cracks and other places which are difficult to reach.
- b. Oval brush (15) (Pic. 9) to clean furniture.
- c. Rubber nozzle (14) (Pic. 10) to clean up liquids.

### Use of the upright vacuum cleaner

**Note:** the upright vacuum cleaner can only be used to vacuum dry dirt. In order to vacuum wet dirt, you must use the hand-held vacuum cleaner with the rubber nozzle.

1. Make sure that the upright vacuum cleaner has been assembled correctly (see chapter Assembly).
2. Turn on the upright vacuum cleaner by pushing the on/off switch on the handle (20) forward (Pic.11).



### Charging

As soon as the indicator light power (6) is lights up continuously, you must recharge the device.

**Note:** always turn off the device before recharging.

At the moment you turn off the device, the power indicator light will go off. As soon as the device has been fully recharged, the light will switch on again.

### After use

Recharge the device after use to ensure it will have full power the next time you use it.

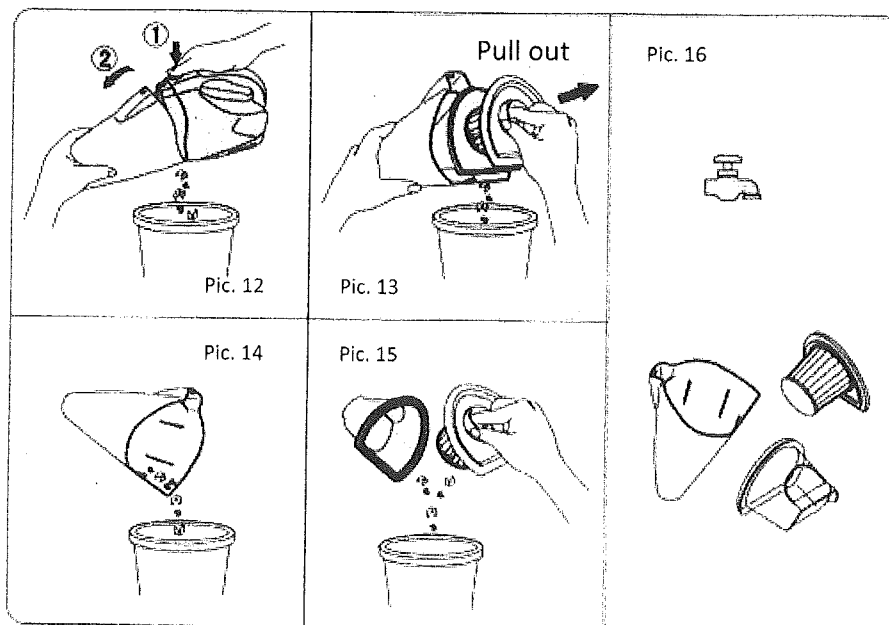
## MAINTENANCE AND CLEANING

### Empty the dust container

**Note:** clean the dust container, the plastic cover and the HEPA-filter regularly. The power decreases when the dust container is too full or when the HEPA-filter is dirty.

1. Push the button (5) to unlock the dust container (Pic. 12).
2. Remove the HEPA-filter (11) and the plastic cover (12) (Pic. 13).
3. Carefully shake the dust container (13), the plastic cover (12) and the HEPA-filter (11) over a dust bin (Pic. 14 and 15).
4. The dust container (13), plastic cover (12) and the HEPA-filter may be cleaned with water (Pic. 16).

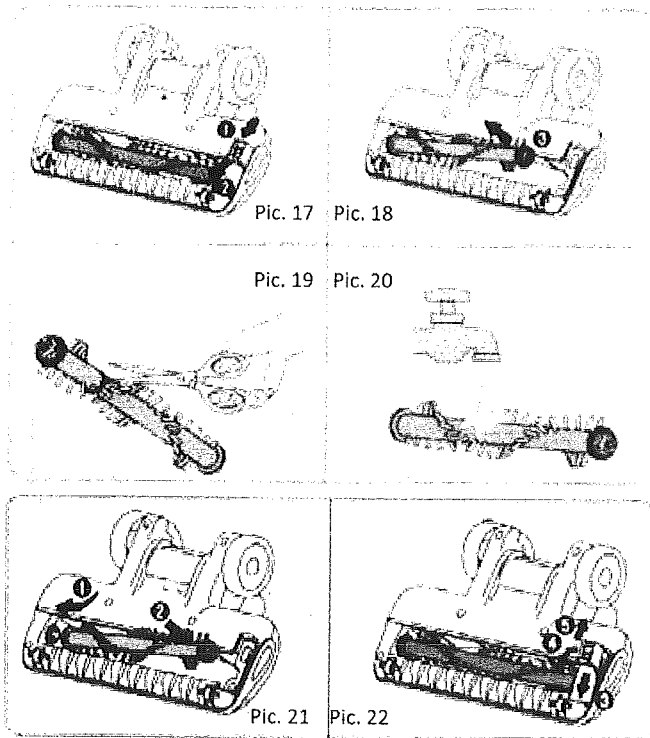
**Note:** do not use cleaning aids to clean the HEPA-filter and make sure all parts are completely dry before you place them back and use the device.



### Cleaning the turbo brush

1. Push the button on the cover of the roller (30) downwards (Pic. 17).
  2. Remove the roller (26) from the device (Pic. 18).
  3. Remove the large debris from the roller with for example a scissor or comb (Pic. 19).
  4. The roller may be cleaned with water (Pic. 20).
- Note:** make sure that the roller is completely dry before you place it back and use the device
5. Place the roller back onto the device (Pic. 21).
  6. Put the cover of the roller back on its place and push the button up to lock it (Pic. 22).





### Cleaning the device

**Note:** never immerse the device and/or the charger in water or other liquids .

1. Switch the device off before cleaning it.
2. Clean the device with a wet cloth and some detergent if necessary and dry off thoroughly.
3. Never use abrasives, bleaching agents or steel wool to clean the device. This could cause damage to the material.

### Storage

Make sure that the device and the attachments are completely clean and dry before you store the device.

## SOLVING PROBLEMS

Problem	Possible cause	Possible solution
The device won't turn on.	Battery is empty.	Recharge the device.
Low suction.	The dust container is full.	Empty the dust container
	The HEPA-filter is dirty.	Clean the HEPA-filter.
Battery empties faster.	The device has not been recharged long enough.	Recharge the device.
	The battery won't charge.	Replace the battery.