

HOSE REEL CART

Cat. No: 20328

Instruction Manual



Save this manual for future reference

Caution: read, understand and follow all instructions and warnings before using or attempting to assemble the hose reel.

IMPORTANT SAFETY INSTRUCTIONS

Note: these safety instructions and warnings are not intended to cover every possible situation. They are intended as a general guide. As with any product, common sense and vigilance must be employed in its use and assembly.

1. Read the entire instruction manual carefully before attempting to assemble or use this hose reel.
2. Do not load the hose reel with more than 68KGS
3. Do not allow children to play in or around the hose reel
4. If any part becomes damaged, broken or misplaced, do not use the hose reel until a replacement is obtained
5. Do not operate on or roll over objects that could cause damage to the pneumatic tires or tubes
6. Do not inflate the tires to more than 30PSI
7. Use only a hand-held air pump to inflate the tires
8. Save these instructions for future reference.

PREPARATION

Estimated assembly time: 30 minutes

Important note: two adults may be required for assembly.

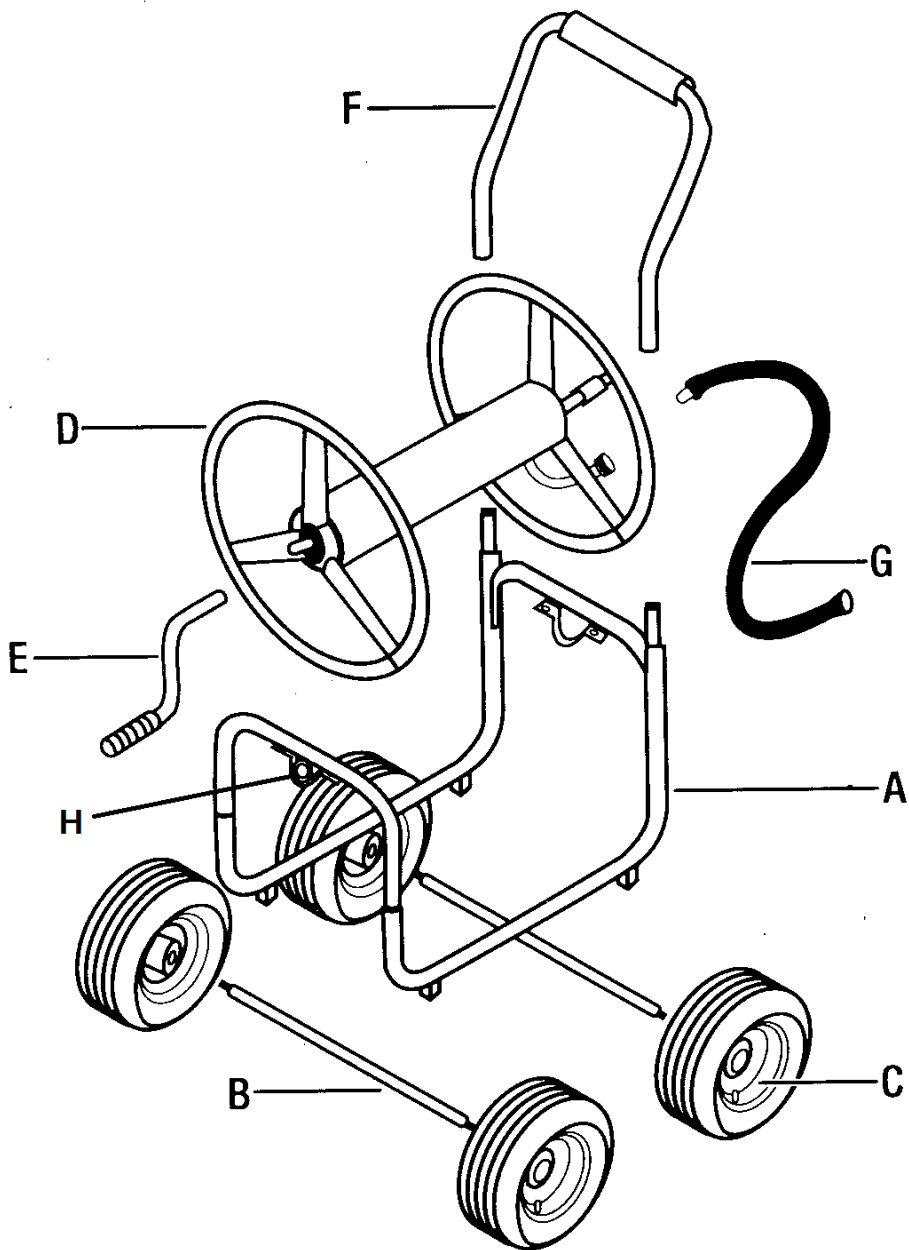
Remove all parts and hardware from the carton. Compare the parts and quantities with the parts and hardware List.

Tools required for assembly:



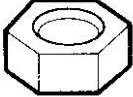





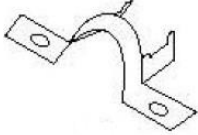
- Adjustable wrench or Ratchet and 7/16 inches (11 mm) socket
- Flathead Screwdriver
- Pliers

PARTS LIST

Part #	Description	Quantity
A	Frame	1
B	Axles	2
C	Wheels	4
D	Hose reel	1
E	Crank Handle	1
F	Handle	1
G	Leader Hose	1
H	Crank Hub	1

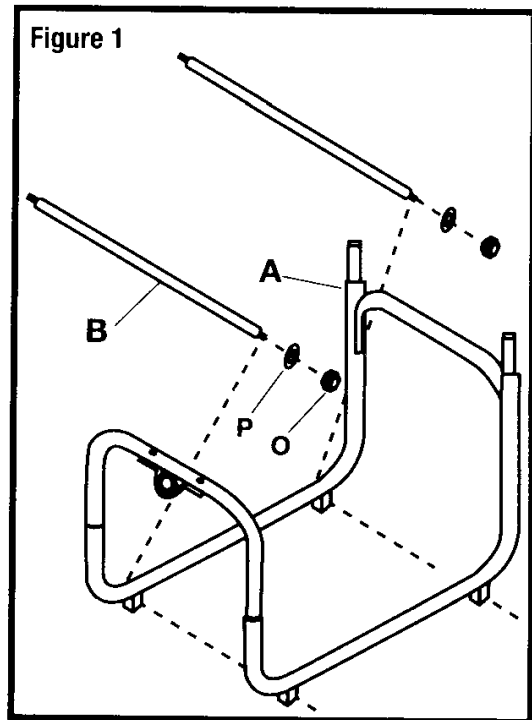


HARDWARE LIST

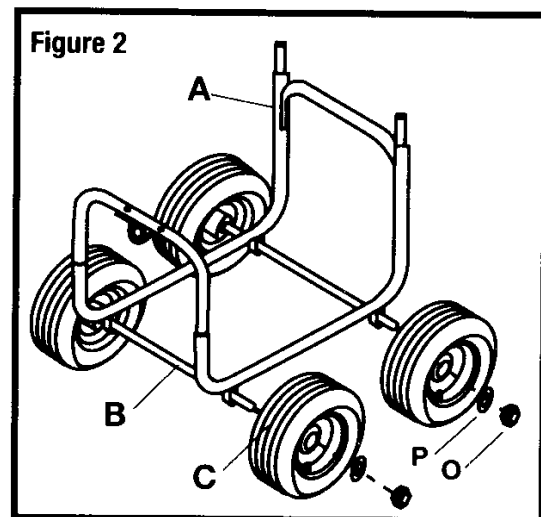
Part #	Photo	Description	Quantity
I		Carriage Bolt 6 X 33mm	6
K		Bolt, 6 x 26mm	2
O		Lock Nut, 12mm	4
P		Flat Washer, 12mm	4
Q		Lock Nut ,6mm	7
R		Flat Washer, 6mm	3
S		Cap Nut, 6mm	1
T		Rubber Washer (Includes 1-spare Rubber Washer)	2
N		U Bracket	1

ASSEMBLY INSTRUCTION

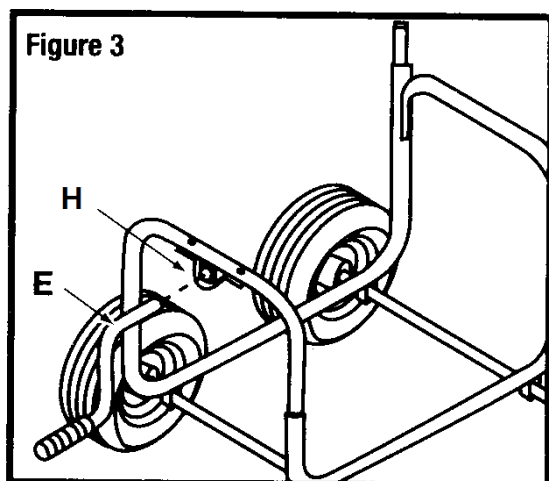
1. (See Figure 1) Remove and retain lock nut (O) and flat washer (P) from axle (B). Stand frame assembly (A) upright and slide each axle (B) through both ends of frame (A).



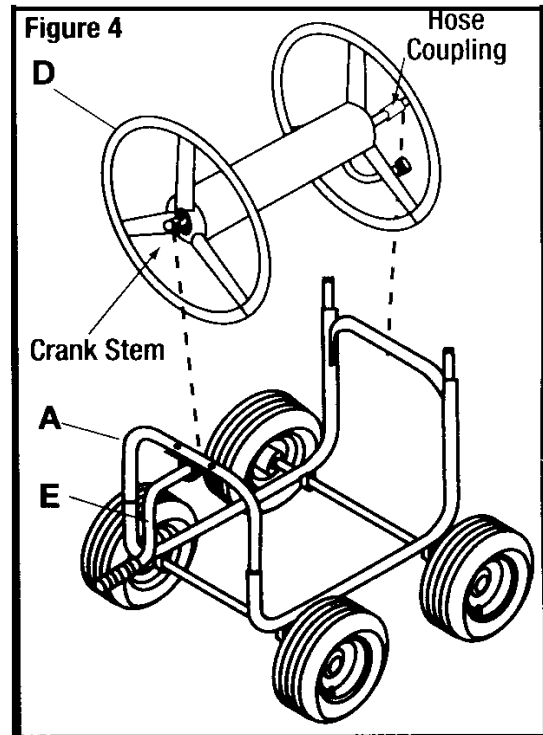
2. (See Figure 2) Side wheels (C) onto ends of each axle (B) with the wheels valve stems facing outward. Fasten each wheel to axle using flat washers (P) and lock nuts (O). Do not over tighten.



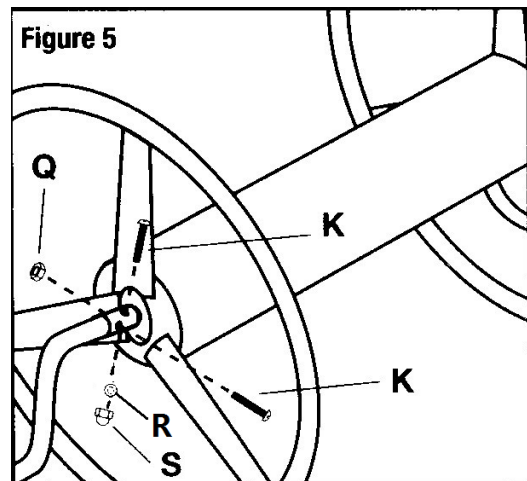
3. (See Figure 3) Insert the end of Crank handle (E) through crank hub (H) of frame (A).



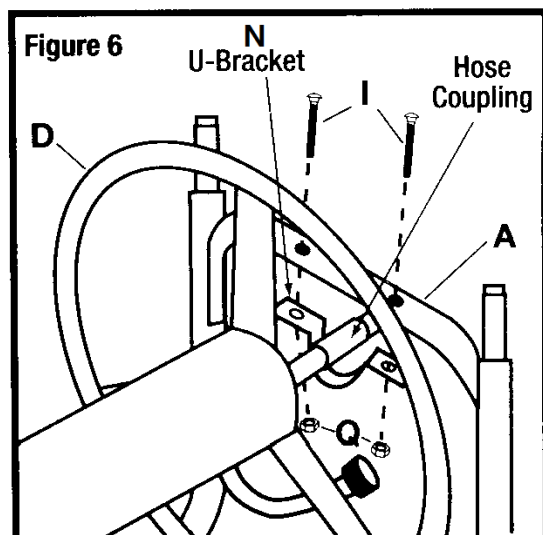
- (See Figure 4) Place hose reel (D) into frame assembly (A) Put the hose coupling onto the frame. Insert end of crank stem from hose reel (D) onto crank handle (E). Align crank handle (E) mounting holes with crank stem mounting holes.



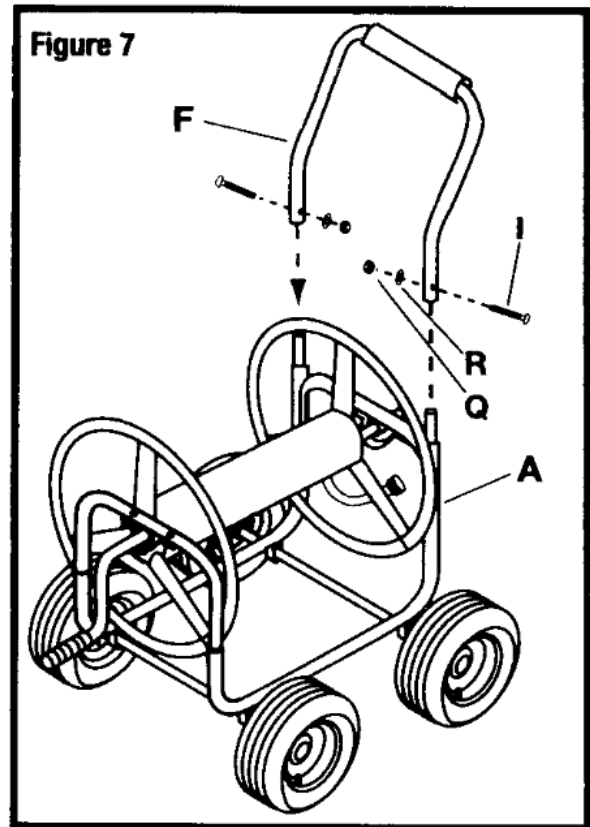
- (See Figure 5) Insert bolt (K) through inside hole of crank stem and crank handle hole, loosely fasten with lock nut (Q). Insert bolt (K) through outside hole of crank stem and crank handle hole and fasten with flat washers (R) and acorn nut (S). Tighten all fasteners securely.



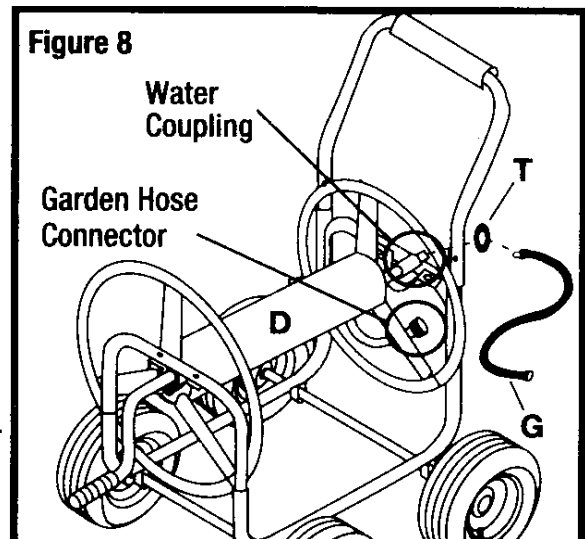
- (See Figure 6) Attach hose coupling end of hose reel (D) to frame (A), using U-Bracket(N). Fasten U-Bracket (N) to frame with carriage bolts (I) and lock nuts (Q). Tighten securely.



7. (See Figure 7) Place handle (F) onto vertical posts of frame (A). Align mounting holes. Slide bolt (I) through mounting holes and place the flat washer (R) onto the bolt. Fasten handle (F) using lock nut (Q)



8. (See Figure 8) Place rubber washer (T) into female of water coupling on hose reel (D) drum. Attach one end of leader hose (G) to water coupling on hose reel (D) drum. Attach the other end of leader hose (G) to the water supply spigot. Attach garden hose to threaded garden hose connector and wind garden hose around hose reel (D). NOTE: The hose reel will hold up to 300ft (91m) of 5/8" garden hose (garden hose not included)



CARE AND MAINTAIN

- Check tire pressure regularly.
- Inflate if necessary. Do not over inflate.
- Check bolts periodically to ensure they are secure.
- Do not over tighten bolts.
- Cover or store out of weather when not in use.

DISPOSAL

The packaging material is reusable. Dispose of the packaging in an environmentally friendly way by putting it in the appropriate recyclable waste collection containers.

Eurotops Versand GmbH
Elisabeth-Selbert-Straße 3
40764 Langenfeld, Germany



If technical support is needed, please call ...

in Germany 0180 . 530 63 63* or info@eurotops.de

in Austria 01 . 230 60 43 12 or info@eurotops.at

in Switzerland 044 . 28 36 125 or info@eurotops.ch

in the Netherlands 026 . 37 36 333 or info@eurotops.nl

in France 0892 . 700 470** or info@eurotops.fr

* 14 Cents/minute via German landline, max. 42 cents/minute via mobile phone network

**34 Cents/minute via French landline

A possible return of products should be addressed to the return address stated on your invoice.

The manual only reflects the technical conditions available under printing. Any changes in technology and equipment are reserved.

© 17.09.2013